

FAQ	<i>Common Questions</i>	3
	<i>Materials & Construction</i>	4
	<i>Available Wood Species</i>	5-6
	<i>Base Styles</i>	7
	<i>Base Molding Options</i>	8
	<i>Framing Bead and Panel Raises</i>	9
	<i>Free-Standing vs. In-Series</i>	10
	<i>Order and Quote Forms</i>	11-13
WOOD RANGE HOODS	<i>All Hood Series – See next page for complete list</i>	15-93
	<i>Axton (AX) – NEW</i>	15-16
	<i>ER Showcase - NEW</i>	37-38
	<i>Erwin (ER200) – NEW</i>	39-40
	<i>Erie (ER300) – NEW</i>	41-42
	<i>Ericson (ER400) – NEW</i>	43-44
	<i>Erdahl (ER500) – NEW</i>	45-46
	<i>Ernston (ER600) – NEW</i>	47-48
	<i>Kingston (K200) - NEW</i>	67-68
	<i>Kilgore (K300) – NEW</i>	69-70
	<i>Saddlebrook (SB100) – NEW</i>	83-84
VENTILATION	<i>Stainless Base w/ Baffle Filters (SS-BASE) – NEW FINISHES</i>	95-96
	<i>Stainless Base w/ Baffle Filters (SS-BASE) – Specs</i>	97-98
	<i>Pro Mesh (PML) Vents – Specs</i>	99-100
	<i>Pro Baffle (PBL) Vents – Specs</i>	101-102
	<i>PML – PBL – SS-BASE – Duct Height Guide</i>	103
	<i>Imperial Premium (IPL) Vents – Specs</i>	105-106
	<i>Imperial Standard (ISL) Vents – Specs</i>	107-108
	<i>IPL – ISL – Duct Height Guide</i>	109
	<i>General Vent Guidelines</i>	110
MODIFICATIONS/ ACCESSORIES	<i>Removable Options</i>	111-113
	<i>Curved and Straight Battens</i>	114
	<i>Applied Hardwood and Molding Wraps</i>	115
	<i>Anvil Finish, Anvil Curved/Straight Battens, Applied Hardwood & Molding Wraps</i>	117-120
	<i>Sorrento Supports – Spice Rack Pull-Outs</i>	121
	<i>Corbels</i>	122-123

<i>NEW –Available Now</i>	<i>Axton (AX-Series) – NEW</i>	15-16
	<i>Ashland (A-Series)</i>	17-18
	<i>Birmingham (B-Series)</i>	19-20
	<i>Bristol (BX-Series)</i>	21-22
	<i>Britney (BXV-Series)</i>	23-24
	<i>Cambridge (C-Series)</i>	25-26
	<i>Charlotte (CX-Series)</i>	27-28
	<i>Dalton (D-Series)</i>	29-30
	<i>Elevation (E-Series)</i>	31-32
	<i>Elegance (E200-Series) previously named: E2</i>	33-34
	<i>Eastland (E300-Series) previously named: E3</i>	35-36
<i>NEW –Available Now</i>	<i>Erwin (ER200) – NEW</i>	39-40
<i>NEW –Available Now</i>	<i>Erie (ER300) – NEW</i>	41-42
<i>NEW –Available Now</i>	<i>Ericson (ER400) – NEW</i>	43-44
<i>NEW –Available Now</i>	<i>Erdahl (ER500) – NEW</i>	45-46
<i>NEW –Available Now</i>	<i>Ernston (ER600) – NEW</i>	47-48
	<i>Fanfare (FX200-Series) previously named: FX2</i>	49-50
	<i>Foxcote (FX300-Series) previously named: FX</i>	51-53
	<i>Georgetown (G-Series)</i>	55-56
	<i>Thompson (GT-Series) previously named: T</i>	57-58
	<i>Hartford (H-Series)</i>	59-60
	<i>Huntington (H2-Series)</i>	61-62
	<i>Island (I-Series)</i>	63-64
	<i>Jacksonville (J-Series)</i>	65-66
<i>NEW –Available Now</i>	<i>Kingston (K200-Series) – NEW</i>	67-68
<i>NEW –Available Now</i>	<i>Kilgore (K300-Series) - NEW</i>	69-70
	<i>Lexington (L-Series)</i>	71-72
	<i>Lincoln (L2-Series)</i>	73-74
	<i>Madison (M-Series)</i>	75-76
	<i>Naples (N-Series)</i>	77-78
	<i>Plymouth (P-Series)</i>	79-80
	<i>Quebec (Q-Series)</i>	81-82
<i>NEW –Available Now</i>	<i>Saddlebrook (SB100-Series) – NEW</i>	83-84
	<i>Springfield (S-Series)</i>	85-86
	<i>Washington (W-Series)</i>	87-88
	<i>Xavier (X-Series)</i>	89-90
	<i>Zenith (Z200)</i>	91-92

BUILDING CODES - Each municipality has their own building codes. Those codes will supersede any recommendations made in this catalog. Please refer building code questions to your local inspector since they will be responsible for the interpretation of the code.

FINISHING – Stanisci Design does not offer any finishing, and are sanded to 180 grit. Hoods can be drop-shipped into the kitchen dealer or cabinet manufacturer you have specified.

PANELS – When ordering a hood with a door – you can pick any of the Framing Bead choices with any of the Panel Raises. For example: a shaker style door would be #445 / Flat #1997. See FAQ Page for available profile choices.

MOLDINGS – Many hood designs are available with several different molding styles: #1 Classical, #2 Simple or #3 Basic. Molding is along the base of hood – not the top crown. Top crown is supplied in field.

HOOD HEIGHT – Stanisci hoods should be mounted a minimum of 30” above the cooking surface (or 66” from the floor) unless the range manufacturer specifies more distance is needed.

CUSTOM SIZES – Stanisci hoods are built-to-order based on your specifications. Each hood series is offered in a range of standard sizes, or you can select an in-between size (custom widths may require an additional fillers charge).

PAINT GRADE – When choosing Paint Grade – please review specifications on the FAQ page for Paint Grade Materials. This information page will detail hood body construction and use of Hybrid Doors for this species. Maple is a stain grade species and **not** intended for painted applications. Finish issues related to painting Maple are not warrantable.

RENDERINGS - Libraries are available for most rendering software. See 'Rendering Software Libraries' of our website to download latest 2020 library, and instructions for accessing AutoKitchen and ProKitchen libraries. For other rendering software, please reach out to us for information.

MODIFICATIONS & ACCESSORIES – Please review the Modifications & Accessories section to see available options such as various Removable Options, Wood Battens, Sorrento Spice Racks and Corbel offerings.

VENTILATION OPTIONS - We have standard liners, Stainless Mesh and Stainless Baffle liners from 300-1200 cfm. We can also custom design hoods around most customer supplied vents.

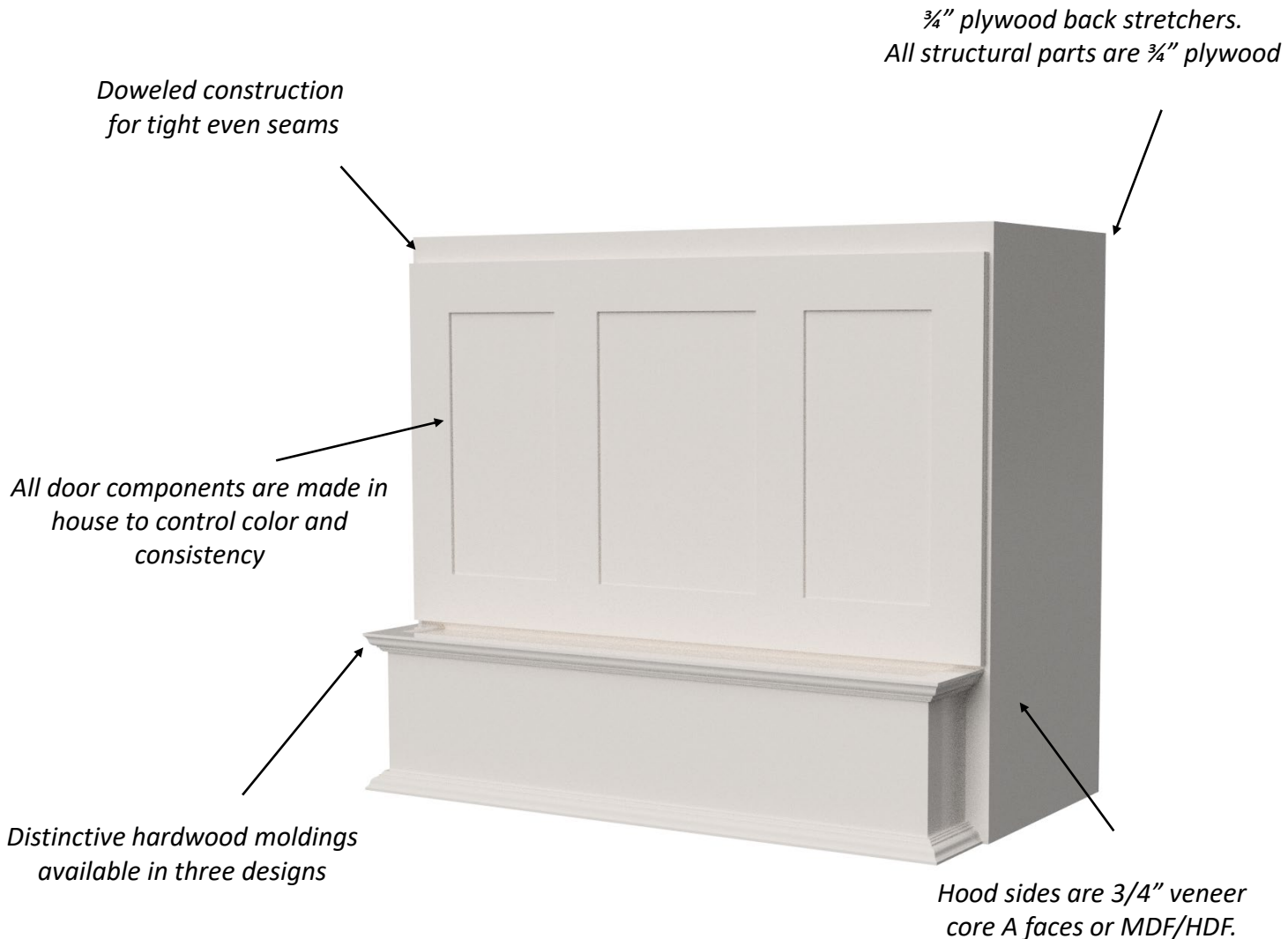
LEAD TIMES – Lead times range from 2 weeks for straight hoods, and 3 weeks for hoods with curve(s) and/or door panels. Lead times do not include shipping.

SHIPPING/ FREIGHT- Wood hoods ship LTL Freight in re-enforced crates, and any ventilation will be strapped to the top. Ventilation that ships separate from the wood hood is shipped Ground or LTL Freight. See ventilation specifications pages for specific details

SALES - Stanisci Design hoods are sold wholesale only exclusively to cabinetry professionals. Retail customers are welcome to reach out to us for questions, however we will not discuss pricing and order details.

TSCA / CARB - Our hoods are TSCA /CARB compliant and will come with all appropriate labels.

Stanisci Design uses only the finest materials. Range hoods often become the focal point of the kitchen. All solid wood components are hand selected for color. All Stanisci Design Products are TSCA (C.A.R.B) compliant. Hoods are sanded to 180 grit, ready to be finished.



Paint Grade Materials

The specifications below will provide information and define our Paint Grade species offering. This material selection is made from the best products available in the market and will give you superior results when painting.

Hybrid Hood – Paint Grade will be constructed using for the body of the hood, 1/2” thick MDF or HDF with no veneer thus providing a smooth surface to paint. We are also utilizing a 3/4” thick plywood core with an 1/8” HDF (high density fiber) outer layer, commonly referred to as a Combi Core. Both materials present a smooth surface to finish and are considered the best materials on the market for painting. All molding and hardwood pieces will continue to be Paint Grade Hard Maple. All structural parts will continue to be 3/4” thick veneer core plywood.

Superior Surface for curved hoods – We use a bendable material exclusively designed for painting on all our curved hoods. This material is referred to as Superior Surface. It will be used on the curved section of the hood. This is a paintable man-made material which is impregnated with resin. This is a proprietary material which we have worked with our suppliers to develop for our curved hoods. It is very smooth, stable and has great adhesion.

Hybrid Doors – Doors will be constructed with a Paint Grade Hard Maple frame and MDF panels – raised or flat panels. Hybrid center panels have been tested extensively in the market and have proven to be effective in providing a more durable and superior product for painting. The machining on the hybrid MDF panel profiles is just as precise and clean cut as with solid wood panels. The Hybrid MDF panel provides a more stable product that does not expand and contract like a solid wood center panel. The elimination of center panel shrinking virtually eliminates raw material showing along the outside of a center panel as the seasons change. Eliminating expansion of the center panel also helps to reduce hairline cracks that may develop in the mortise and tenon joint of the door framing.

Paint Grade:

Hood/Cabinet Sides: 3/4” thick Combi Core Plywood

Mitered Portions: 1/2” thick MDF/HDF

Curved Sections: Superior Surface



Maple is hard and heavy with good strength properties, in particular it's high resistance to abrasion and wear. The raw wood color ranges from near white to a dark reddish brown. The wood has a close fine texture and is generally straight grained. Maple is stain grade Maple & **not** intended for Painted Applications. Finish issues related to painting Maple are not warrantable. Please use Paint Grade for all painted applications.

Alder is extremely soft hardwood of medium density. Colors range from light brown with a yellow tinge to light brown with a reddish tinge. Alder is fairly straight grained with a uniform texture. This wood may have pin knots and mineral streaks. Mineral streaks and other natural variations help create the personality of this product.

Rustic Alder material will allow for varying size knots & other sound characteristics including mineral streaks. Both sapwood & heartwood can be present in varying amounts. Rustic Alder veneers will contain knots / voids which expose the backing material of the veneer. The adhesive from the veneer being applied to the backer will seal the face of the backing material, finish will typically not adhere. This should be considered when finishing.

Hickory is a very hard, very heavy and dense hardwood which demonstrates extreme variations in color from nearly white to dark brown. Grain patterns can be bold and prominent with irregular characteristics that are associated with tree growth. Burls, water stains, mineral streaks and sound knots are typical and are not considered defects.

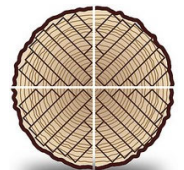
Cherry is considered a medium density wood with moderate weight and strength. The heartwood of cherry ranges from light to dark reddish brown while the sapwood may be near white. The heartwood darkens with age and light exposure, this change can be dramatic. Cherry has a fine and uniform grain pattern with a smooth texture. Acceptable characteristics include brown flecks, natural gum pockets, mineral streaks and pin knots.

Walnut is an exceptionally beautiful and stable hardwood whose traits are strongly defined throughout the history of woodworking. Grain patterns range from straight to varied; providing striking depth when finished in natural tones. This specie's coloration fluctuates from dark brown to a purplish black.

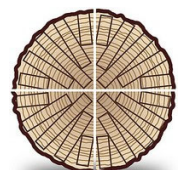
Plain Sawn White Oak is White Oak lumber is characterized by uneven cathedral grain that would be similar in appearance to Red Oak grain patterns. Plain Sawn White Oak however has a neutral light to medium brown color sometimes with an olive hue. Known for strength and durability.



Quarter Sawn White Oak is cut radially (90-degree angle from the growth rings) instead of with the grain and produces vertical and uniform grain lines that are straight, tight and run the length of the board, sometimes creating prominent ray flecks. Structural benefits include that it reduces twisting, warping and cupping, holds finishes better, and does not allow liquids to readily pass through it.



Rift Sawn White Oak is specifically cut White Oak lumber where logs are quartered, then sliced perpendicular to the growth rings of the tree. The resulting grain pattern is relatively straight, but the spacing between the grain will vary. This specie will have the normal color range of other White Oak variations, but the method of cutting eliminates cathedral grain, but allows limited amounts of mineral and pin knots to be present.



Red Oak / Quarter Sawn Red Oak is a hard, heavy wood which results in great wear resistance. Color ranges from white to light brown to a pinkish reddish brown. Red Oak will be plain sliced, Quarter Sawn Red Oak will be quarter sawn cut.

See hood series page for details.

Standard Base



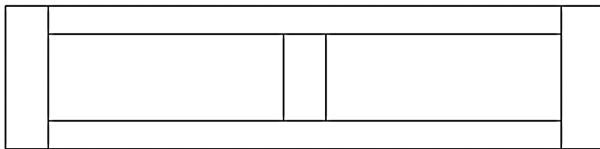
PL Base #3 Basic



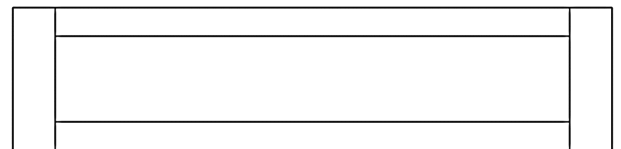
HW Base



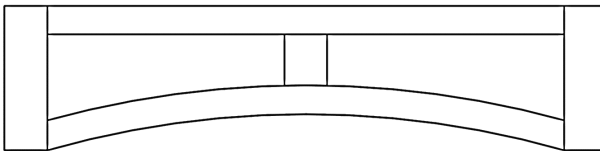
RS Base



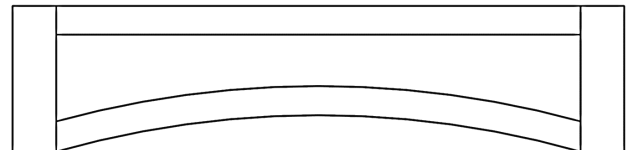
RSS Base



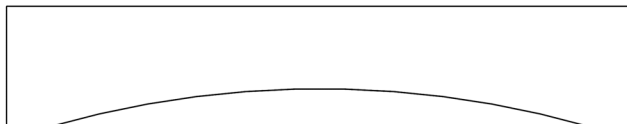
RA Base



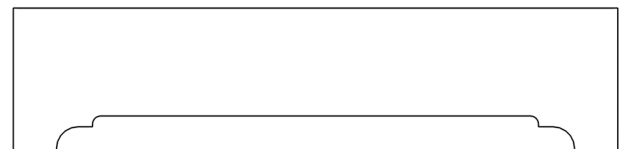
DP2 Base



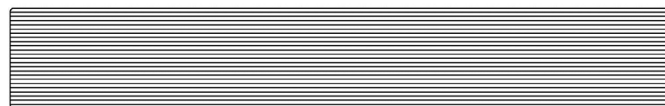
SL Base



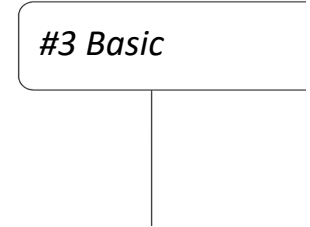
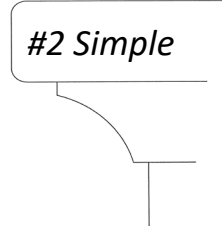
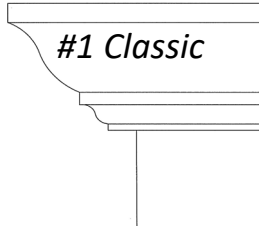
DP1 Base



METAL BAFFLE BASE – available in 17 different finishes
(see vent section for details)



Base Moldings Offered



A, E, G, GT, H, H2, I, J, S, W (excludes HW or SS models)

PLEASE SELECT A MOLDING OPTION BELOW



#1 Classic



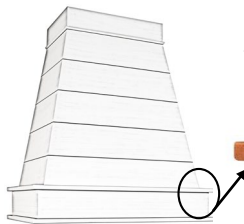
#2 Simple



#3 Basic

C, CX, E200, FX200, P, Z200 (excludes HW or SS models)

#3 BASIC IS DEFAULT MOLDING, #1 CLASSIC OR #2 SIMPLE AVAILABLE BY REQUEST.



#3 Basic - DEFAULT



#1 Classic



#2 Simple

THESE MODELS COME WITH #3 BASIC MOLDING UNLESS AN ALTERNATE OPTION HAS BEEN SELECTED

B, D, L, N, XRA (excludes HW or SS models)

PLEASE SELECT A MOLDING OPTION BELOW

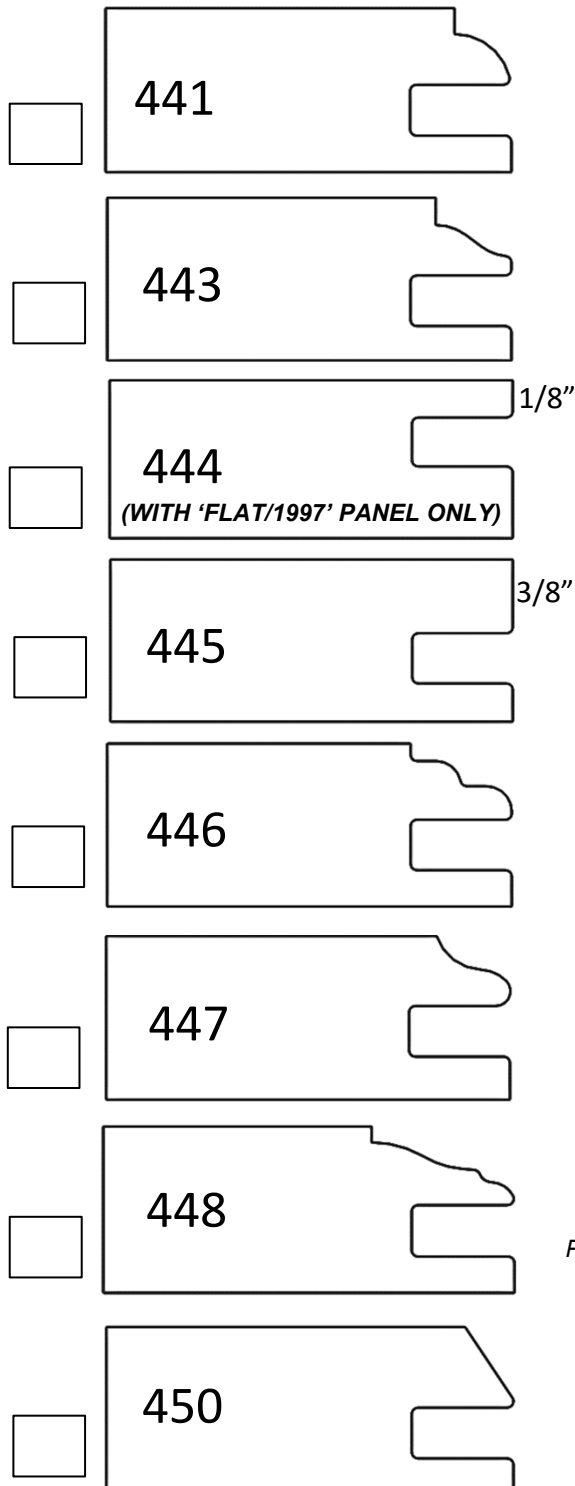


#1 Classic

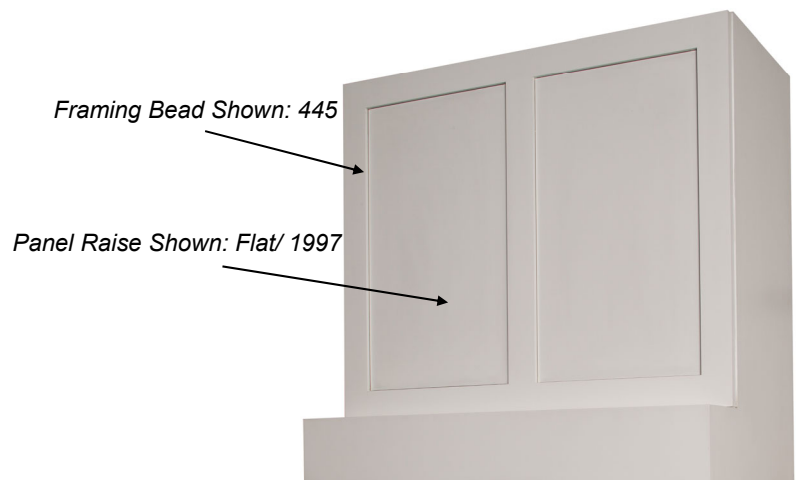
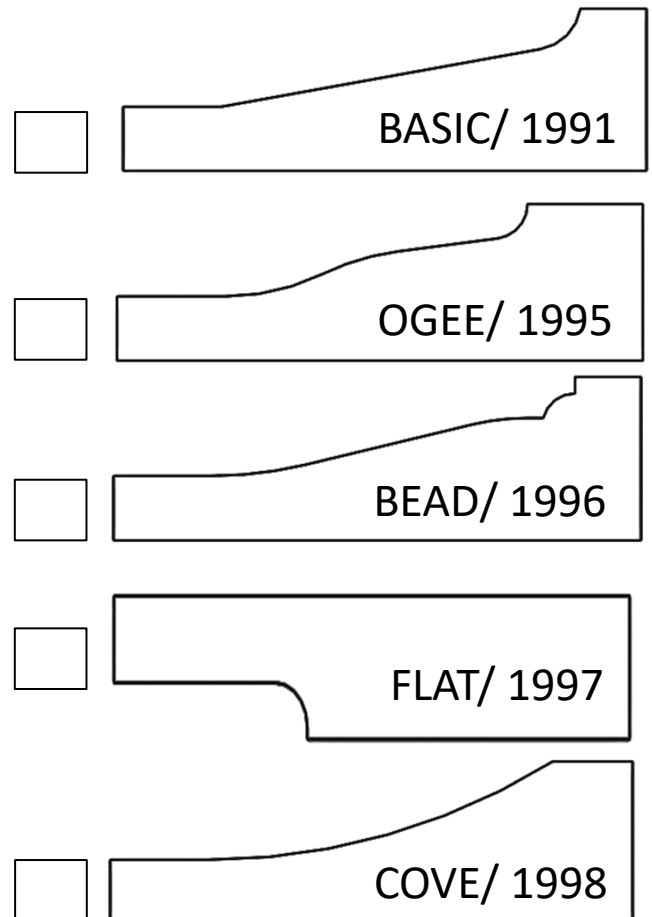


#2 Simple

FRAMING BEAD



PANEL RAISE



FREE – STANDING HOODS

Free-standing range hoods are mounted to the wall above the cooking surface, and stand alone from any adjacent cabinetry. These hoods will not have flush sides, and typically have design elements or decorative accents that prohibit a cabinet from being installed flush against the sides.



FREE-STANDING MODELS: AX, B, BXHW, C, CX, D, E, E200, ER200, ER600, FX200, G, GT, K200,

IN-SERIES HOODS

In-Series hoods are mounted to the wall above the cooking surface, and have completely flush sides. Moldings and decorative accents will not extend past the sides. This allows cabinetry to be installed on either side of the range hood to achieve a continuous design, but can also be used in a stand-alone design. .



IN-SERIES MODELS: A, BX, E300, ER300, ER400, ER500, FX300, J, K300, L2, M, N, P, Q, S, SB100, W, XRA, Z200

STANISCI DESIGN

700 South Glaspie St, Oxford, MI 48371
Phone: 248-572-6880

EMAIL TO: orders@wood-hood.com
FAX TO: 248-572-6884

ORDER

QUOTE ONLY

Contact Name: _____
Contact Email: _____@_____.com
PO#: _____
Job Name: _____

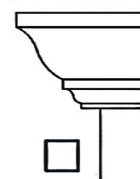
BILL TO:
Company Name: _____
Street Address: _____
City: _____ State: _____ Zip: _____
Phone: _____

SHIPPING TO: same as billing
Company Name: _____
Street Address: _____
City: _____ State: _____ Zip: _____
REF#: _____

	Hood – Item SKU	Species	Width	Height
1				
2				

BASE MOLDING

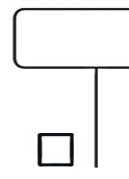
#1 Classic



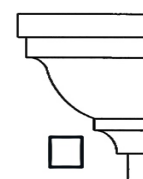
#2 Simple



#3 Basic



#1 Classic



#2 Simple



SERIES: A, E, G, GT, H, H2, I, J, S, W

SERIES: B, D, L, N, XRA

OPTIONS

- Removable Top RT (BXHW, BXVHW, C, CX, E, E200, FX200, G, GT)
- Removable Front RF (J, P, Z200)
- Applied Rem Panel ARP (C, CX, G, GT, I, J, P)
- Curved Battens (E, E200, E300, ER200, ER300, ER400, ER500, ER600)
- Straight Battens (FX200, FX300, P)

VENTILATION

MODERNAIRE PRO SERIES

Select Liner Style

Select Motor Option

- PRO MESH – PML
- PRO BAFFLE – PBL
- SM600/300 (600 CFM w/ optional 300 CFM reducer)
- SM1200 (1200 CFM)

IMPERIAL SERIES

- IMPERIAL STANDARD – ISL- 360 CFM (30 and 36 only)
- IMPERIAL PREMIUM – IPL – 635 CFM (36 and 42 only)
- IMPERIAL PREMIUM – IPL – 990 CFM (36, 42, and 48 only)

DOOR STYLES

- | | | | | | | | |
|--------------------------|--|-----|-----------------------------|-------------|--------------------------|--|------------|
| <input type="checkbox"/> | | 441 | FRAMING BEAD | PANEL RAISE | <input type="checkbox"/> | | BASIC/1991 |
| <input type="checkbox"/> | | 443 | | | <input type="checkbox"/> | | OGEE/1995 |
| <input type="checkbox"/> | | 444 | 1/8" w/FLAT/1997 Panel Only | | <input type="checkbox"/> | | BEAD/1996 |
| <input type="checkbox"/> | | 445 | 3/8" | | <input type="checkbox"/> | | FLAT/1997 |
| <input type="checkbox"/> | | 446 | | | <input type="checkbox"/> | | COVE/1998 |
| <input type="checkbox"/> | | 447 | | | | | |
| <input type="checkbox"/> | | 448 | | | | | |
| <input type="checkbox"/> | | 450 | | | | | |

STANISCI DESIGN – HOOD QUOTE REQUEST FORM

EMAIL TO: SALES@WOOD-HOOD.COM

QUESTIONS? SEND US AN EMAIL OR CALL US AT 248-572-6880

COMPANY NAME:	
JOB NAME:	
CONTACT NAME / EMAIL:	
SHIPPING ADDRESS (if different than company address)	

WOOD HOOD DETAILS – You may also send in a sketch, drawing, or photo of your custom design.		
HOOD SERIES/STYLE? (ex ERA or GHW)		
SIZE? (width x height)		
<input type="checkbox"/> PAINT GRADE	<input type="checkbox"/> RED OAK	<input type="checkbox"/> QTR SAWN RED OAK
<input type="checkbox"/> CHERRY	<input type="checkbox"/> HICKORY	<input type="checkbox"/> MAPLE
<input type="checkbox"/> PLAIN SAWN WHITE OAK	<input type="checkbox"/> QTR SAWN WHITE OAK	<input type="checkbox"/> RIFT SAWN WHITE OAK
<input type="checkbox"/> CLEAR ALDER	<input type="checkbox"/> RUSTIC ALDER	<input type="checkbox"/> WALNUT
REMOVABLE OPTION*? *Not available on all hood styles		
ANY SPECIAL MODIFICATIONS NEEDED?		

VENTILATION	
<p>MODERN-AIRE VENTILATION <i>High-End Professional stainless steel ventilation custom-engineered for Stanisci Design Range Hoods.</i></p>	<p>Select Liner Style: <input type="checkbox"/> MESH (PML) OR <input type="checkbox"/> BAFFLE (PBL)</p> <p>Choose CFM Needed: <input type="checkbox"/> SM600/300 – 600 CFM w/ optional 300 CFM reducer. <input type="checkbox"/> SM1200 – 1200 CFM.</p>
<p>IMPERIAL VENTILATION <i>Stainless steel liners and motors manufactured and designed exclusively for Stanisci Design Range Hoods.</i></p>	<p><input type="checkbox"/> IMPERIAL STANDARD LINER at 360 CFM – 30” or 36” only <input type="checkbox"/> IMPERIAL PREMIUM LINER at 635 CFM – 36” or 42” only <input type="checkbox"/> IMPERIAL PREMIUM LINER at 990 CFM – 36, 42, and 48” only</p>
<p>CUSTOM VENT <i>With our custom vent option, we can modify our wood hoods to ensure it will fit your non-Stanisci vent.</i></p>	<p><input type="checkbox"/> YES VENT MODEL*: _____ *Vent model not required until time of order. We cannot design around Thermador VCIN or GE UVC9420SLSS/ UVC9480SLSS</p>
<p><input type="checkbox"/> I do not need ventilation or vent customization</p>	

<p>COMMENTS:</p> <hr style="border: 0; border-top: 1px solid black; margin-bottom: 10px;"/> <hr style="border: 0; border-top: 1px solid black;"/>
--

STANISCI DESIGN – VENTILATION QUOTE REQUEST FORM

EMAIL TO: SALES@WOOD-HOOD.COM

QUESTIONS? SEND US AN EMAIL OR CALL US AT 248-572-6880

COMPANY NAME:	
JOB NAME:	
CONTACT NAME / EMAIL	
SHIPPING ADDRESS If different then company address	

WHAT HOOD STYLE DOES THIS VENT NEED TO FIT?

WOOD HOOD SERIES/STYLE BEING ORDERED?	
SIZE OF WOOD HOOD? (width x height)	
COMPANY WOOD HOOD IS BEING ORDERED THROUGH:	

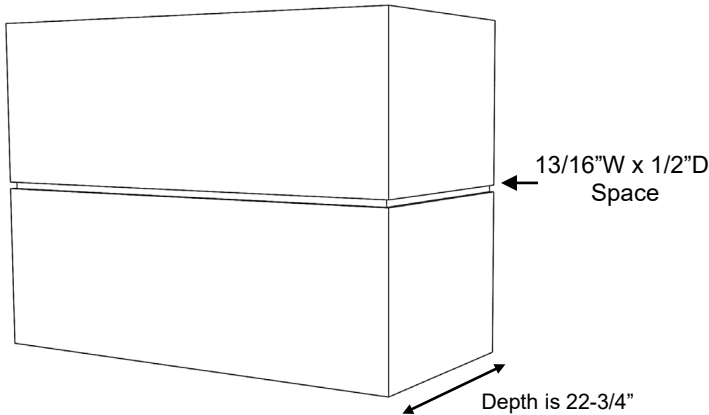
WHAT VENT SYSTEM IS NEEDED?

<p>MODERN-AIRE VENTILATION <i>High-End Professional stainless steel ventilation custom-engineered for Stanisci Design Range Hoods.</i></p>	<p>Select Liner Style: <input type="checkbox"/> MESH (PML) OR <input type="checkbox"/> BAFFLE (PBL)</p> <p>Choose CFM Needed: <input type="checkbox"/> SM600/300 – 600 CFM w/ optional 300 CFM reducer. <input type="checkbox"/> SM1200 – 1200 CFM.</p>
	<p>IMPERIAL VENTILATION <i>Stainless steel liners and motors manufactured and designed exclusively for Stanisci Design Range Hoods.</i></p> <p> <input type="checkbox"/> IMPERIAL STANDARD LINER at 360 CFM – 30” or 36” only <input type="checkbox"/> IMPERIAL PREMIUM LINER at 635 CFM – 36” or 42” only <input type="checkbox"/> IMPERIAL PREMIUM LINER at 990 CFM – 36, 42, and 48” only </p>

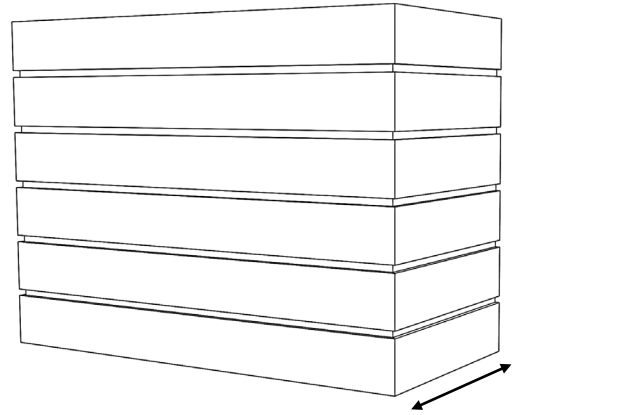
<p>COMMENTS:</p> <hr/> <hr/>



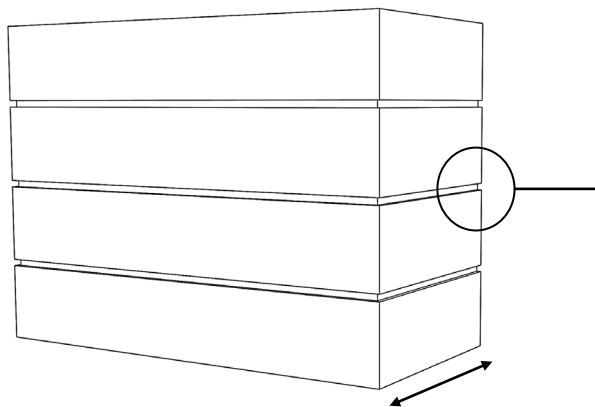
This page left intentionally blank



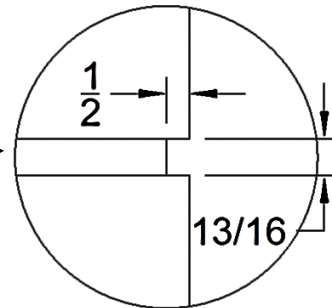
AX shown with 2 slats (AX-2)



AX shown with 6 slats (AX-6)



AX shown with 4 slats (AX-4)



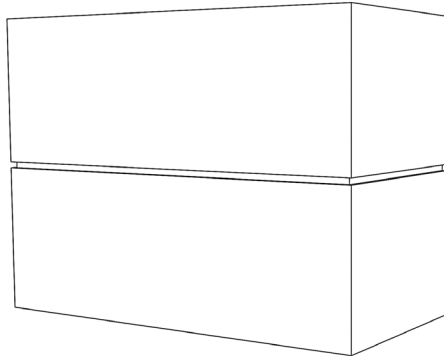
AX Series

Standard Widths	31, 37, 43, 49, 55, 61 (Reduced widths available)
Standard Heights	24, 30, 36, 42, 48 (Reduced heights available)
Removable Options	Not Available
Standard assumptions	Slat spacing is 13/16" (designed to yield 3/4" W x 1/2" D space after finish applied.) All slats will be equal height Average weight could exceed 100 pounds. Hood must be properly anchored to the wall
Ventilation	Hood must be a minimum of 1" wider than available vent width. Example: To use a 36" vent model, the hood should be a minimum of 37" wide
Grain Direction	Horizontal

Standard Heights: 24, 30, 36, 42, 48

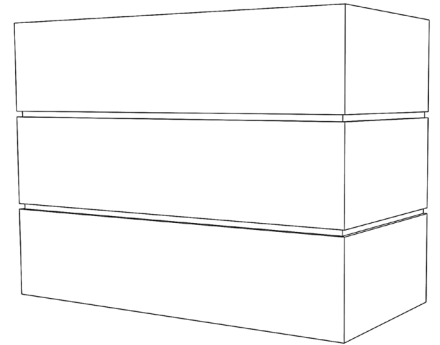
AX - 2 Slat

- AX-2 31
- AX-2 37
- AX-2 43
- AX-2 49
- AX-2 55
- AX-2 61



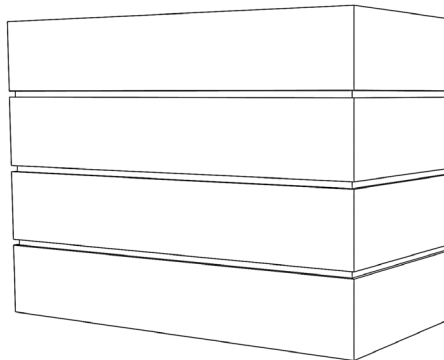
AX - 3 Slat

- AX-3 31
- AX-3 37
- AX-3 43
- AX-3 49
- AX-3 55
- AX-3 61



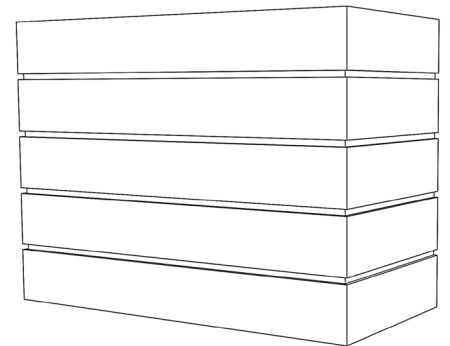
AX - 4 Slat

- AX-4 31
- AX-4 37
- AX-4 43
- AX-4 49
- AX-4 55
- AX-4 61



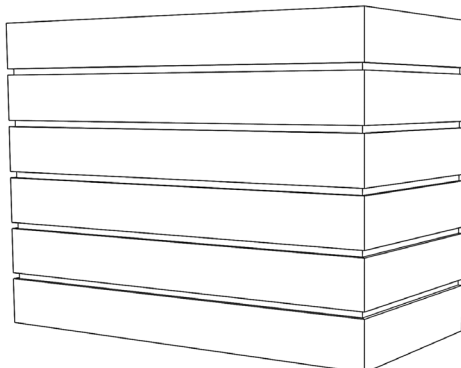
AX - 5 Slat

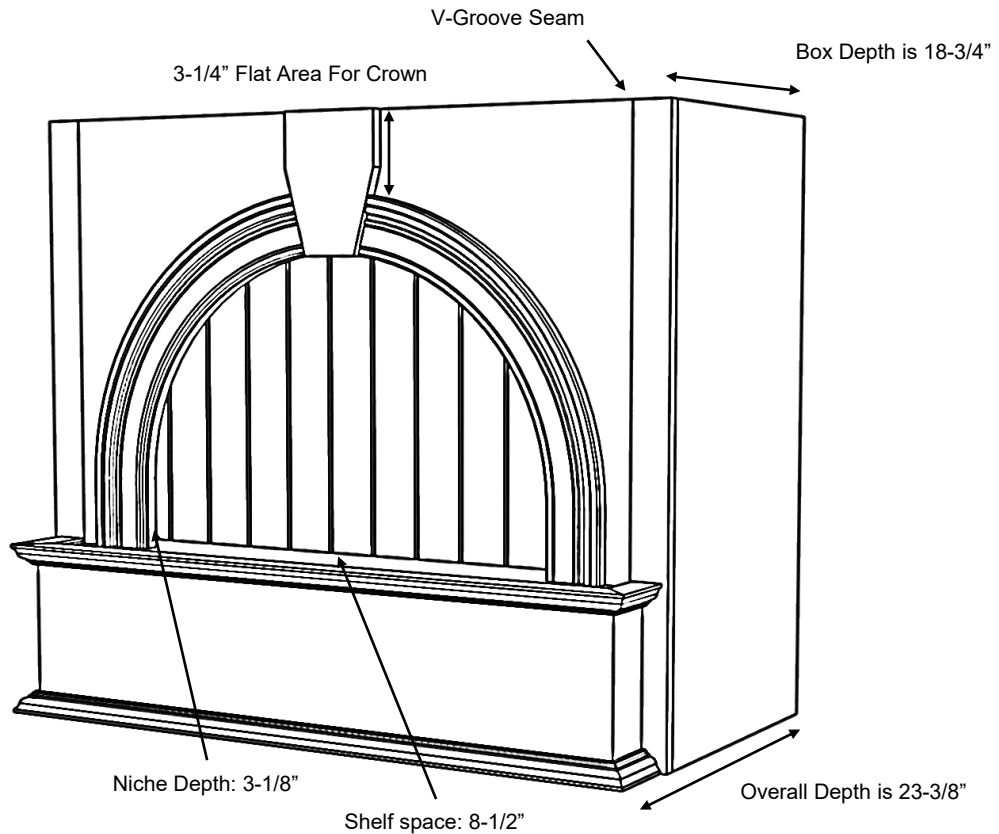
- AX-5 31
- AX-5 37
- AX-5 43
- AX-5 49
- AX-5 55
- AX-5 61



AX - 6 Slat

- AX-6 31
- AX-6 37
- AX-6 43
- AX-6 49
- AX-6 55
- AX-6 61





A Series shown with Standard Base (A) and #1 Classic moldings

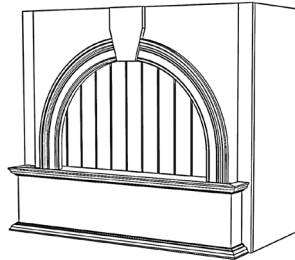
A Series

Standard Widths	33, 36, 39, 42, 45, 48, 51, 54, 57, 60, 63 (Reduced widths available)
Standard Heights	30, 36, 42, 48 (Reduced heights available)
Removable Options	Removable Panel is standard (Two seams in beading to allow for access) Non-bead panel by request – will not be removable (NBNA) - see modifications section.
Ventilation	Hood must be a minimum of 3" wider than available vent width. Example: To use a 36" vent model, the hood should be a minimum of 39" wide.
Available Moldings	#1 Classic, #2 Simple, #3 Basic
Grain Direction	Vertical (Base is horizontal)

Standard Heights: 30, 36, 42, 48

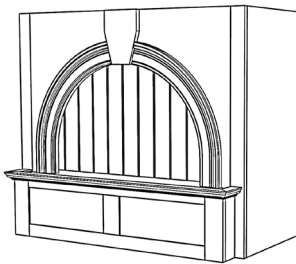
A- Standard Base

- A 33
- A 36
- A 39
- A 42
- A 45
- A 48
- A 51
- A 54
- A 57
- A 60
- A 63



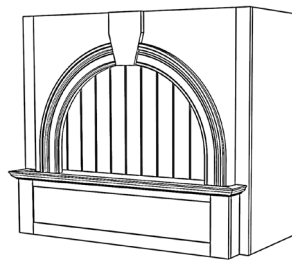
A- RS Base

- ARS 33
- ARS 36
- ARS 39
- ARS 42
- ARS 45
- ARS 48
- ARS 51
- ARS 54
- ARS 57
- ARS 60
- ARS 63



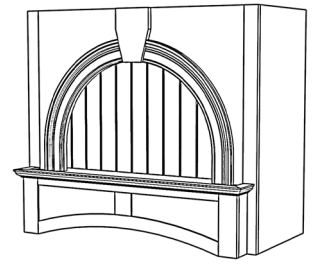
A- RSS Base

- ARSS 33
- ARSS 36
- ARSS 39
- ARSS 42
- ARSS 45
- ARSS 48
- ARSS 51
- ARSS 54
- ARSS 57
- ARSS 60
- ARSS 63



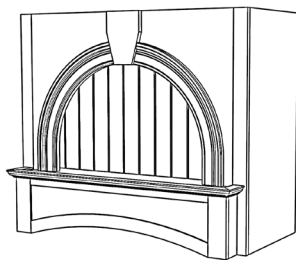
A- RA Base

- ARA 33
- ARA 36
- ARA 39
- ARA 42
- ARA 45
- ARA 48
- ARA 51
- ARA 54
- ARA 57
- ARA 60
- ARA 63



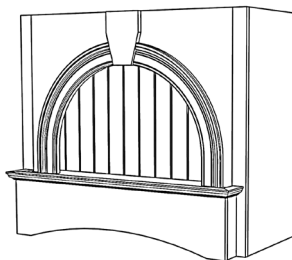
A- DP2 Base

- ADP2 33
- ADP2 36
- ADP2 39
- ADP2 42
- ADP2 45
- ADP2 48
- ADP2 51
- ADP2 54
- ADP2 57
- ADP2 60
- ADP2 63



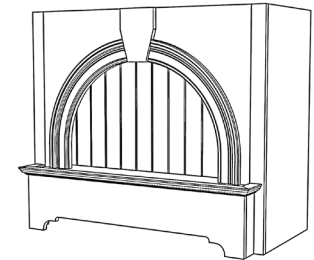
A- SL Base

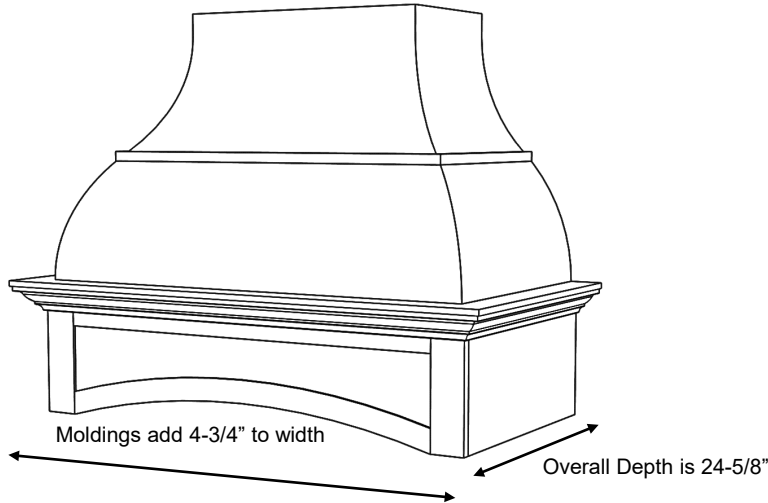
- ASL 33
- ASL 36
- ASL 39
- ASL 42
- ASL 45
- ASL 48
- ASL 51
- ASL 54
- ASL 57
- ASL 60
- ASL 63



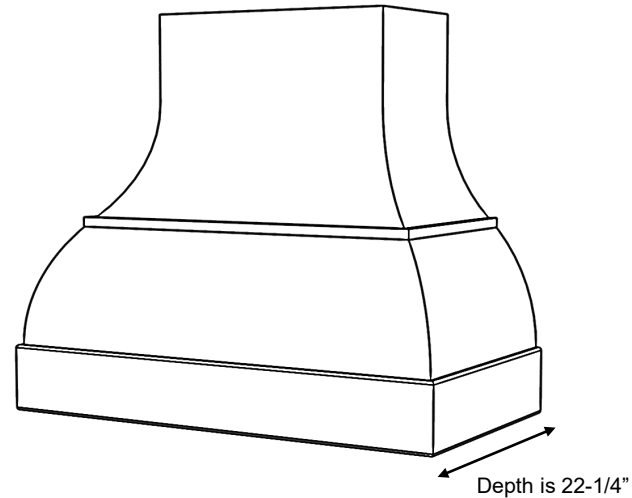
A- DP1 Base

- ADP1 33
- ADP1 36
- ADP1 39
- ADP1 42
- ADP1 45
- ADP1 48
- ADP1 51
- ADP1 54
- ADP1 57
- ADP1 60
- ADP1 63

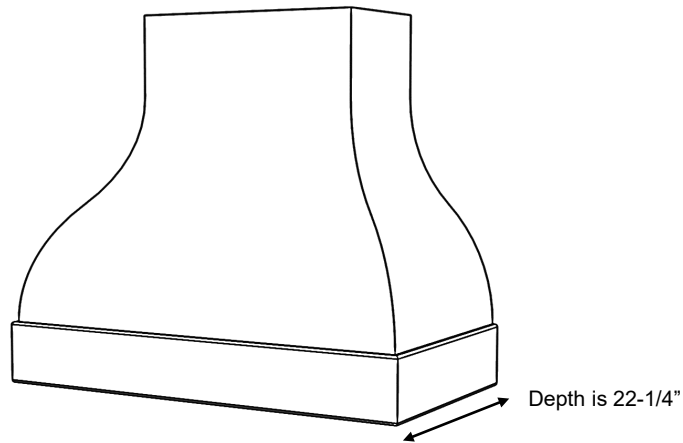




*B Series shown with DP2 Base (BDP2)
and #1 Classic moldings*



B Series shown with Hardwood Base (BHW)



*B Series shown with Hardwood Base (BHW)
and R.U.M. option*

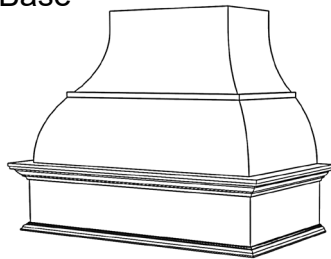
B Series

Standard Widths	36, 42, 48, 54, 60 (Reduced widths available)
Standard Heights	30, 36, 42, 48 (Reduced heights available)
Removable Options	Removable Top (RT) – see modifications section.
Available Options	Remove Upper Molding - request R.U.M. option
Ventilation	Hood will be same width as available vent width. Example: To use a 36" vent model, the hood should be a minimum of 36" wide.
Available Moldings	#1 Classic, #2 Simple
Grain Direction	Vertical (Base is horizontal)

Standard Heights: 30, 36, 42, 48

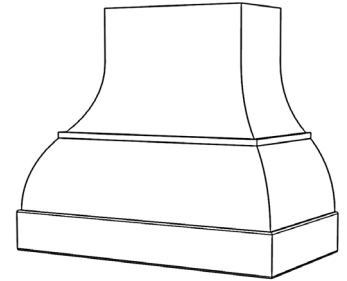
B- Standard Base

- B 36
- B 42
- B 48
- B 54
- B 60



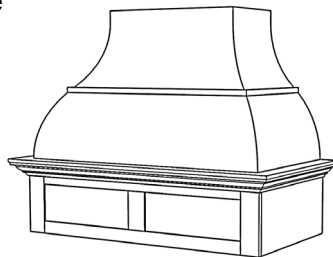
B- Hardwood Base

- BHW 36
- BHW 42
- BHW 48
- BHW 54
- BHW 60



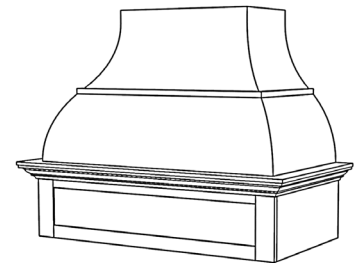
B- RS Base

- BRS 36
- BRS 42
- BRS 48
- BRS 54
- BRS 60



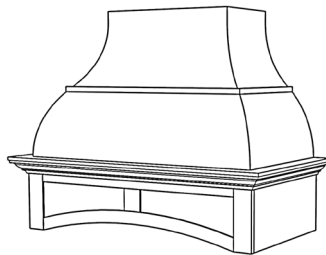
B- RSS Base

- BRSS 36
- BRSS 42
- BRSS 48
- BRSS 54
- BRSS 60



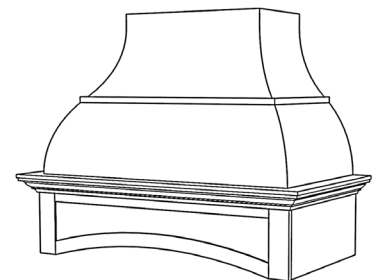
B- RA Base

- BRA 36
- BRA 42
- BRA 48
- BRA 54
- BRA 60



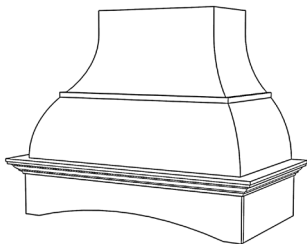
B- DP2 Base

- BDP2 36
- BDP2 42
- BDP2 48
- BDP2 54
- BDP2 60



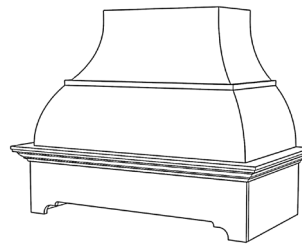
B- SL Base

- BSL 36
- BSL 42
- BSL 48
- BSL 54
- BSL 60



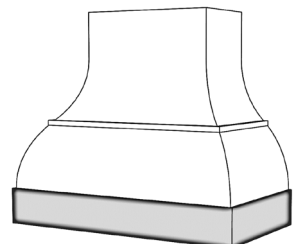
B- DP1 Base

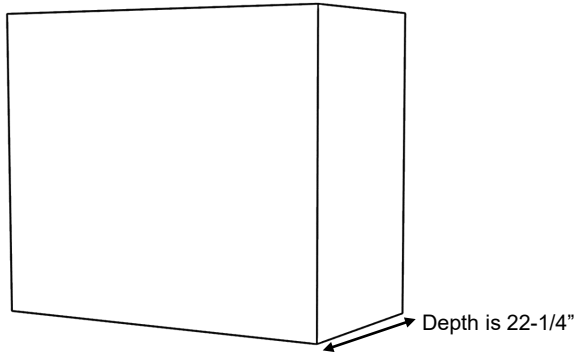
- BDP1 36
- BDP1 42
- BDP1 48
- BDP1 54
- BDP1 60



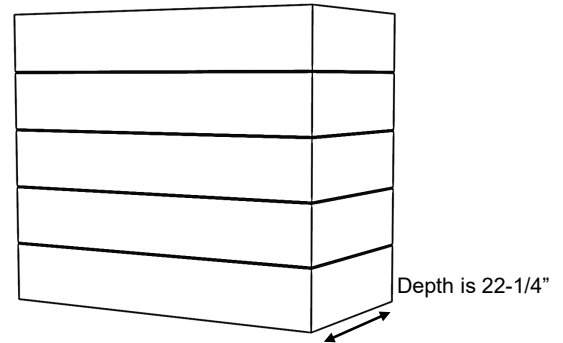
B- SS Base

- BSS 36
- BSS 42
- BSS 48
- BSS 54
- BSS 60

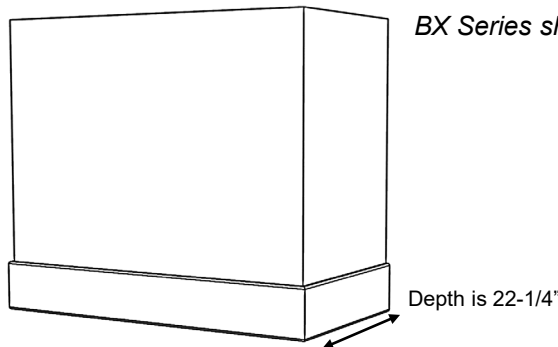




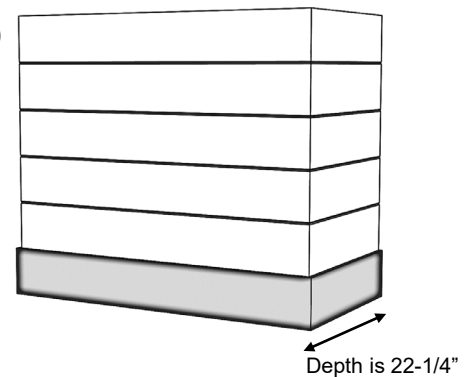
Standard BX Series (BX)



BX Series shown with Horizontal Beading (BXHB)



BX Series shown with Hardwood Base (BXHW)



BX Series shown with Horizontal Beading and Stainless Steel Base (BXHBSS)



Close up of V-groove "Horizontal bead" option

BX Series

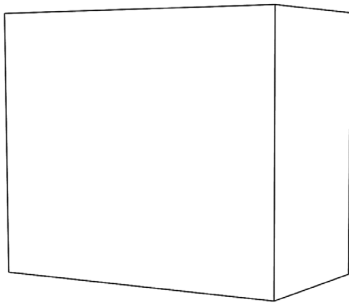
Standard Widths	30, 36, 42, 48, 54, 60 (Reduced widths available)
Standard Heights	24, 30, 36, 42, 48 (Reduced heights available)
Removable Options	Removable Top (RT) available on BXHW or BXHWHB only– see modifications section.
Available Options	Applied Molding Wrap – BX and BXHB only (See options page) Applied Hardwood Wrap (See options page)
Ventilation	Hood will be same width as available vent width. Example: To use a 36" vent model, the hood should be a minimum of 36" wide
Grain Direction	Horizontal

700 South Glaspie Street • Oxford, MI 48371 • (248) 572-6880 • email: sales@wood-hood.com • www.wood-hood.com

Standard Heights: 24, 30, 36, 42, 48

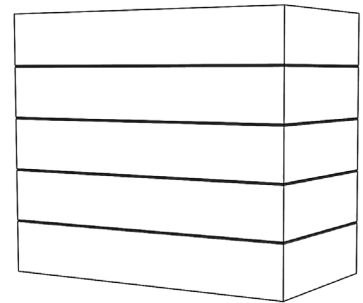
BX- Standard Hood

- BX 30
- BX 36
- BX 42
- BX 48
- BX 54
- BX 60



BX- Horizontal Beading

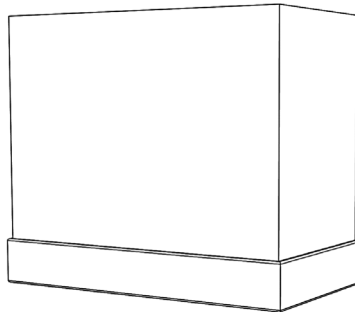
- BXHB 30
- BXHB 36
- BXHB 42
- BXHB 48
- BXHB 54
- BXHB 60



24" tall: 3 beads (4 sections)
 30-36" tall: 4 beads (5 sections)
 42-48" tall: 5 beads (6 sections)

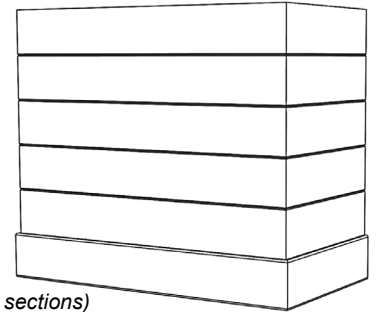
BX- HW Base

- BXHW 30
- BXHW 36
- BXHW 42
- BXHW 48
- BXHW 54
- BXHW 60



BX- Hardwood Base, Horizontal Beading

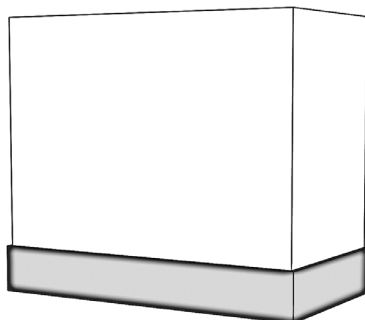
- BXHWHB 30
- BXHWHB 36
- BXHWHB 42
- BXHWHB 48
- BXHWHB 54
- BXHWHB 60



24-30" tall: 3 beads (4 sections)
 36-42" tall: 4 beads (5 sections)
 48" tall: 5 beads (6 sections)

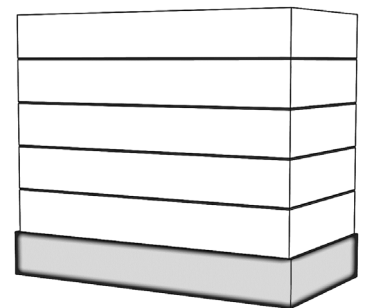
BX- SS Base

- BXSS 30
- BXSS 36
- BXSS 42
- BXSS 48
- BXSS 54
- BXSS 60

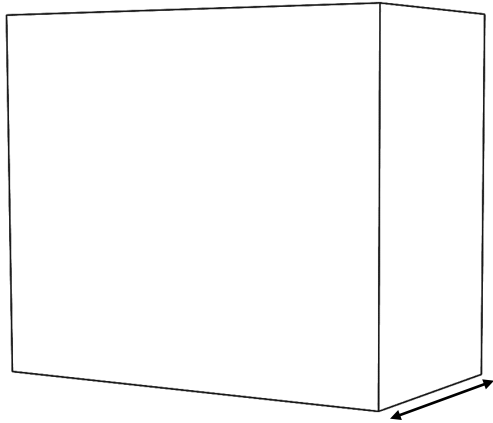


BX- SS Base, Horizontal Beading

- BXSSHB 30
- BXSSHB 36
- BXSSHB 42
- BXSSHB 48
- BXSSHB 54
- BXSSHB 60

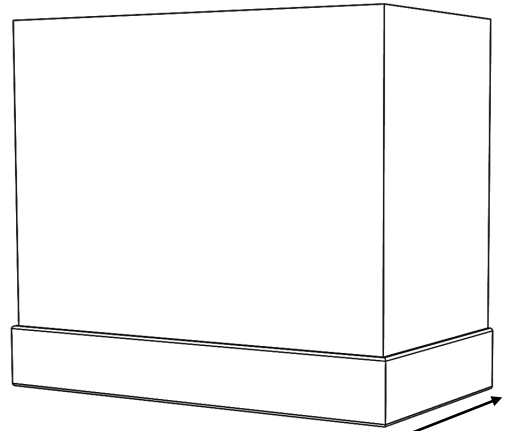


24-30" tall: 3 beads (4 sections)
 36-42" tall: 4 beads (5 sections)
 48" tall: 5 beads (6 sections)



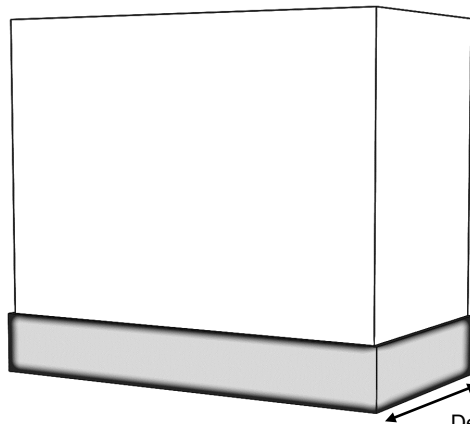
Depth is 22-1/4"

Standard BXV Series (BXV)



Depth is 22-1/4"

BX Series shown with Hardwood Base (BXVHW)



Depth is 22-1/4"

BXV Series shown with Stainless Steel Base (BXVSS)

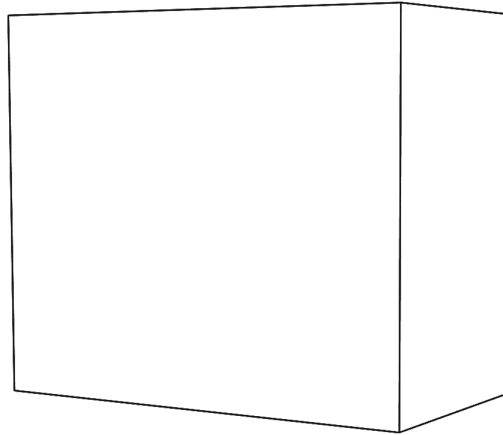
BXV Series

Standard Widths	30, 36, 42, 48 (Reduced widths available)
Standard Heights	24, 30, 36, 42, 48, 54, 60 (Reduced heights available)
Removable Options	Removable Top (RT) is available on BXVHW only – see modifications section.
Available Options	Applied Molding wrap – BXV only (See options page) Applied Hardwood Wrap – BXV only (See options page)
Ventilation	Hood will be same width as available vent width. Example: To use a 36" vent model, the hood should be a minimum of 36" wide
Grain Direction	Vertical (Base is Horizontal)

Standard Heights: 24, 30, 36, 42, 48, 54, 60

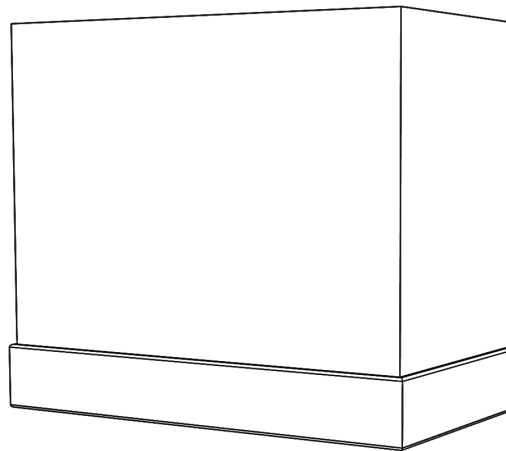
BXV- Standard Hood

- BXV 30
- BXV 36
- BXV 42
- BXV 48



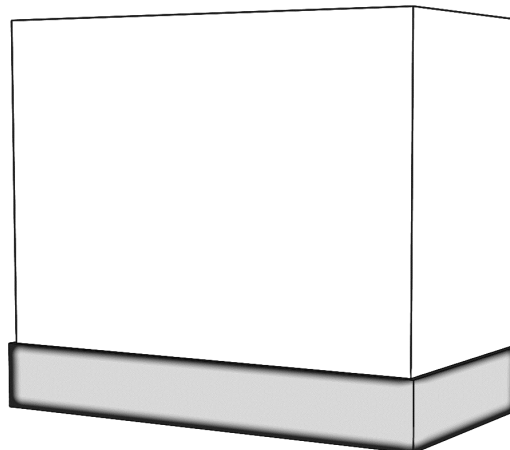
BXV- HW Base

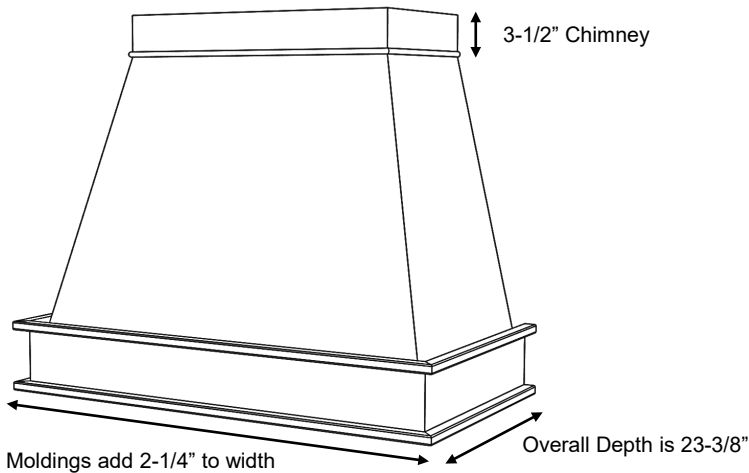
- BXVHW 30
- BXVHW 36
- BXVHW 42
- BXVHW 48



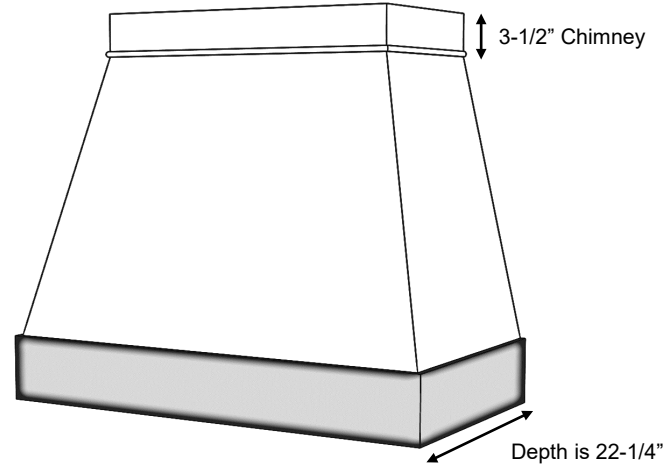
BXV- SS Base

- BXVSS 30
- BXVSS 36
- BXVSS 42
- BXVSS 48

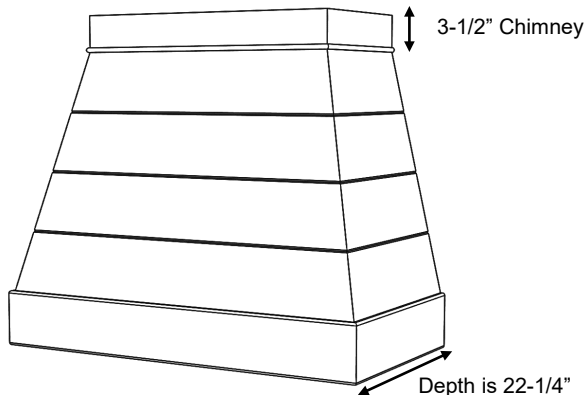




C Series shown with PL Base (CPL) and #3 Basic moldings



C Series shown with Stainless Steel Base (CSS)



C Series shown with HW Base (CHWHB) and Horizontal Beading



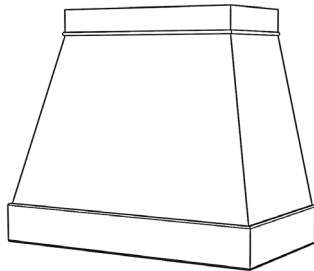
C Series

Standard Widths	30, 36, 42, 48, 54, 60 (Reduced widths available)	
Standard Heights	24, 30, 36, 42, 48, 54 (Reduced heights available)	
Removable Options	Removable Top (RT) – see modifications section. Applied Removable Panel (ARP) – see modifications section.	
Ventilation	Hood will be same width as available vent width. Example: To use a 36" vent model, the hood should be a minimum of 36" wide	
Available Moldings	#3 Basic is standard	#1 Classic or #2 Simple available upon request Base molding only, chimney molding does not change.
Grain Direction	Horizontal Vertical grain available on a custom quote basis	

Standard Heights: 24, 30, 36, 42, 48, 54

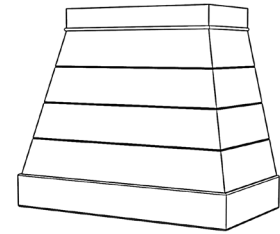
C- Hardwood Base

- CHW 30
- CHW 36
- CHW 42
- CHW 48
- CHW 54
- CHW 60



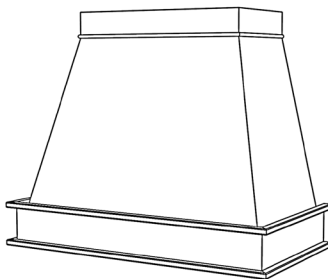
C-Hardwood Base, Horizontal Beading *

- CHWHB 30
- CHWHB 36
- CHWHB 42
- CHWHB 48
- CHWHB 54
- CHWHB 60



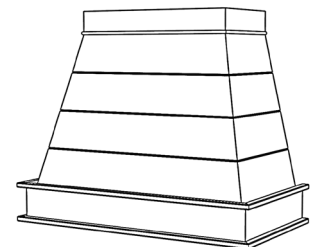
C- PL Base

- CPL 30
- CPL 36
- CPL 42
- CPL 48
- CPL 54
- CPL 60



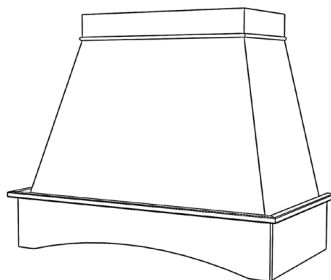
C- PL Base, Horizontal Beading *

- CPLHB 30
- CPLHB 36
- CPLHB 42
- CPLHB 48
- CPLHB 54
- CPLHB 60



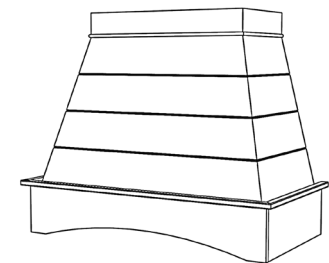
C- SL Base

- CSL 30
- CSL 36
- CSL 42
- CSL 48
- CSL 54
- CSL 60



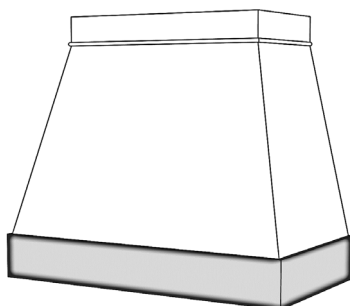
C- SL Base, Horizontal Beading *

- CSLHB 30
- CSLHB 36
- CSLHB 42
- CSLHB 48
- CSLHB 54
- CSLHB 60



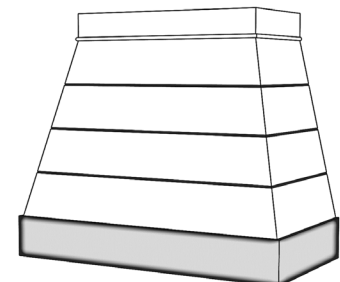
C- SS Base

- CSS 30
- CSS 36
- CSS 42
- CSS 48
- CSS 54
- CSS 60



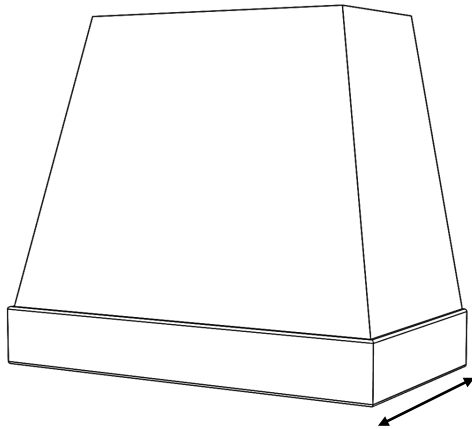
C- SS Base, Horizontal Beading *

- CSSH 30
- CSSH 36
- CSSH 42
- CSSH 48
- CSSH 54
- CSSH 60



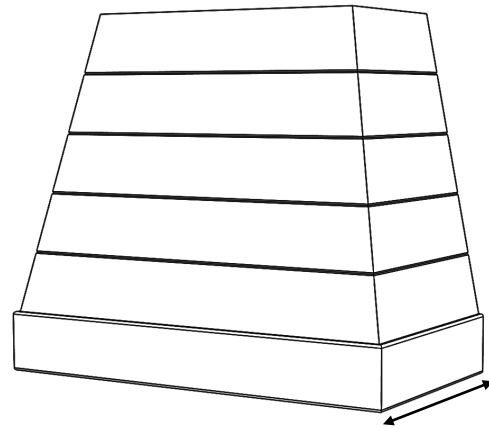
*** # of Beads**

- 24" tall: 2 beads (3 sections)
- 30"-36" tall: 3 beads (4 sections)
- 42" tall: 4 beads (5 sections)
- 48"-54" tall: 5 beads (6 sections)



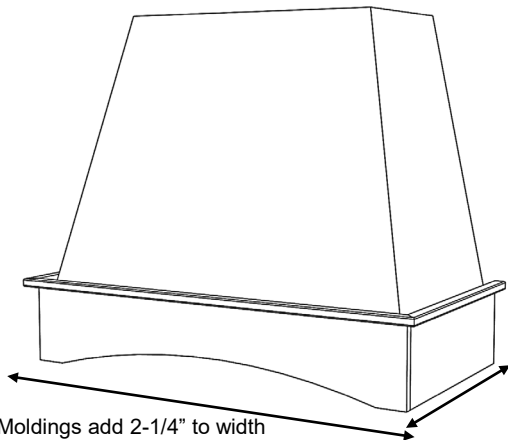
Depth is 22-1/4"

CX Series shown with Hardwood Base (CXHW)



Depth is 22-1/4"

CX Series shown with Hardwood Base and Horizontal Beading (CXHWB)



Overall Depth is 23-3/8"

Moldings add 2-1/4" to width

CX Series shown with SL Base (CXSL) and #3 Basic moldings

Close up of V-groove "Horizontal bead" option

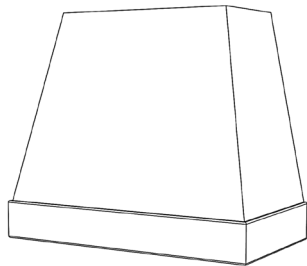
CX Series

Standard Widths	30, 36, 42, 48, 54, 60 (Reduced widths available)
Standard Heights	24, 30, 36, 42, 48 (Reduced heights available)
Removable Options	Removable Top (RT) – see modifications section. Applied Removable Panel (ARP) – see modifications section.
Ventilation	Hood will be same width as available vent width. Example: To use a 36" vent model, the hood should be a minimum of 36" wide.
Available Moldings	#3 Basic is standard #1 Classic or #2 Simple available upon request
Grain Direction	Horizontal Vertical grain available on a custom quote basis

Standard Heights: 24, 30, 36, 42, 48

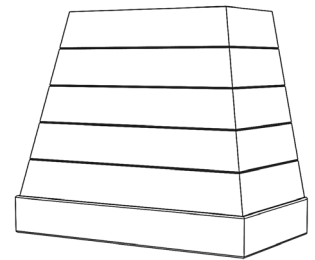
CX- Hardwood Base

- CXHW 30
- CXHW 36
- CXHW 42
- CXHW 48
- CXHW 54
- CXHW 60



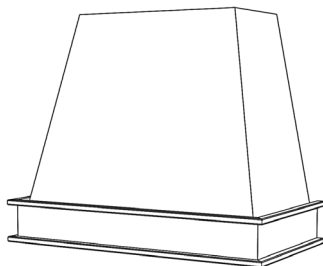
CX- Hardwood Base, Horizontal Beading *

- CXHWHB 30
- CXHWHB 36
- CXHWHB 42
- CXHWHB 48
- CXHWHB 54
- CXHWHB 60



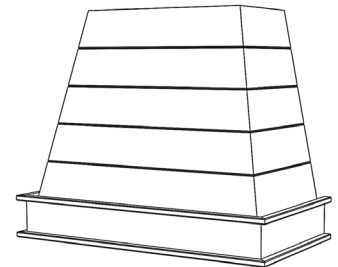
CX- PL Base

- CXPL 30
- CXPL 36
- CXPL 42
- CXPL 48
- CXPL 54
- CXPL 60



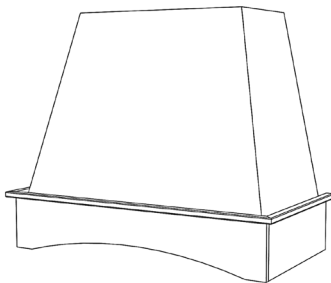
CX- PL Base, Horizontal Beading *

- CXPLHB 30
- CXPLHB 36
- CXPLHB 42
- CXPLHB 48
- CXPLHB 54
- CXPLHB 60



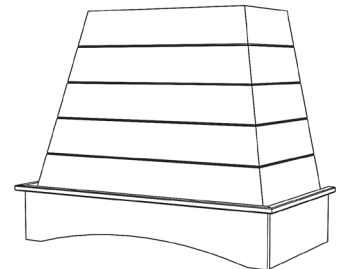
CX- SL Base

- CXSL 30
- CXSL 36
- CXSL 42
- CXSL 48
- CXSL 54
- CXSL 60



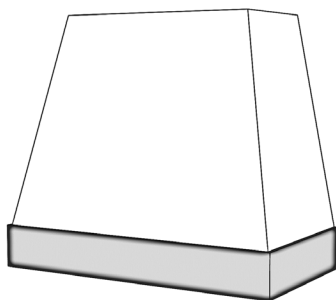
CX- SL Base, Horizontal Beading *

- CXSLHB 30
- CXSLHB 36
- CXSLHB 42
- CXSLHB 48
- CXSLHB 54
- CXSLHB 60



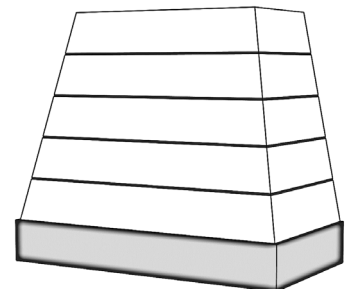
CX- SS Base

- CXSS 30
- CXSS 36
- CXSS 42
- CXSS 48
- CXSS 54
- CXSS 60



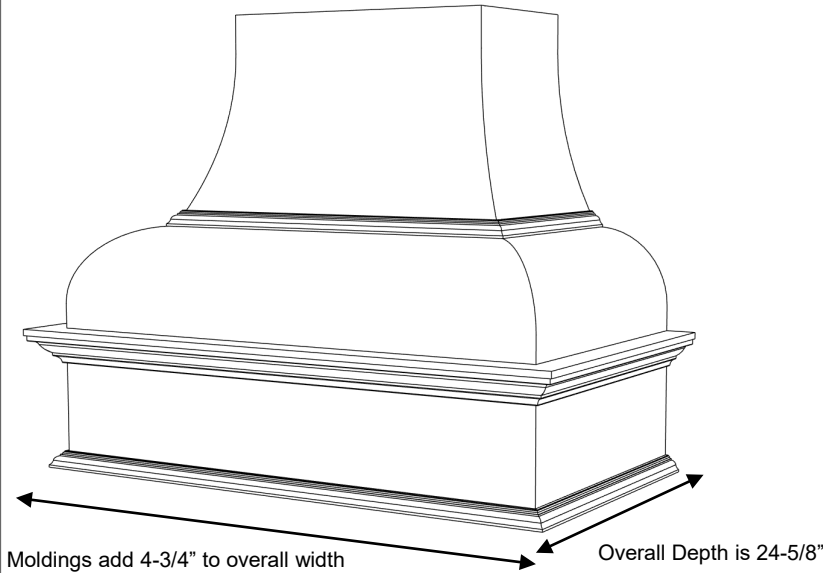
CX- SS Base, Horizontal Beading *

- CXSSHB 30
- CXSSHB 36
- CXSSHB 42
- CXSSHB 48
- CXSSHB 54
- CXSSHB 60

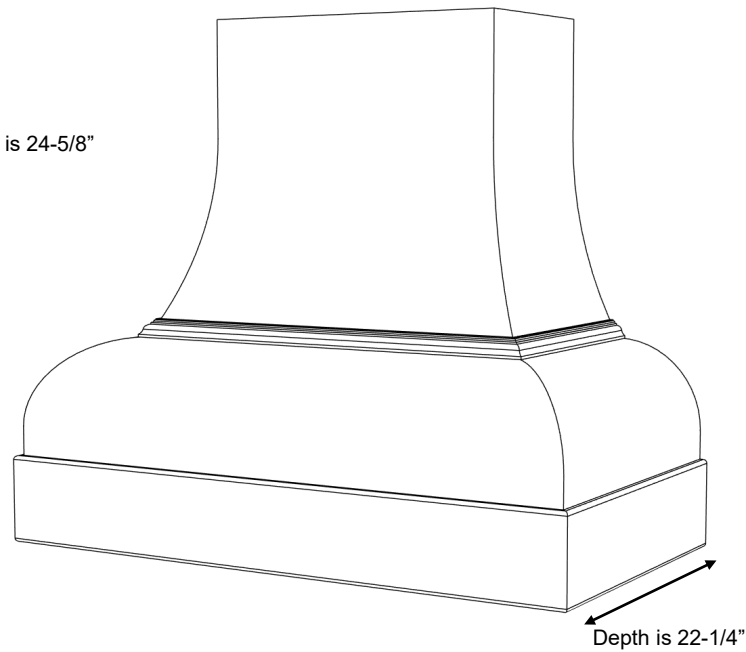


* # of Beads

24-30" tall: 3 beads (4 sections)
 36-42" tall: 4 beads (5 sections)
 48" tall: 5 beads (6 sections)



*D Series shown with Standard Base (D)
and #1 Classic moldings*



D Series shown with Hardwood Base (DHW)

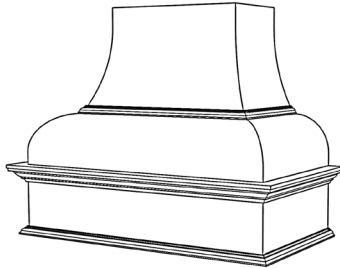
D Series

Standard Widths	36, 42, 48, 54, 60 (Reduced widths available)
Standard Heights	30, 36, 42, 48 (Reduced heights available)
Removable Options	Not available
Ventilation	Hood will be same width as available vent width. Example: To use a 36" vent model, the hood should be a minimum of 36" wide
Available Moldings	#1 Classic, #2 Simple
Grain Direction	Vertical (Base is horizontal)

Standard Heights: 30, 36, 42, 48

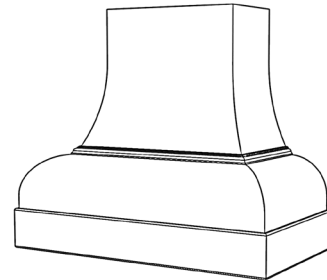
D- Standard Base

D 36
D 42
D 48
D 54
D 60



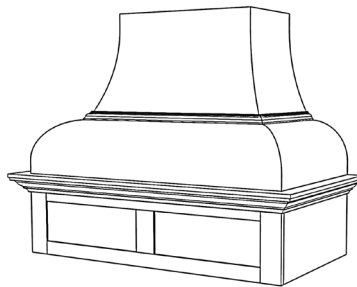
D- Hardwood Base

DHW 36
DHW 42
DHW 48
DHW 54
DHW 60



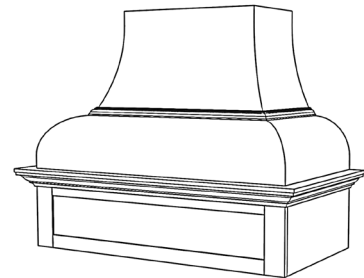
D- RS Base

DRS 36
DRS 42
DRS 48
DRS 54
DRS 60



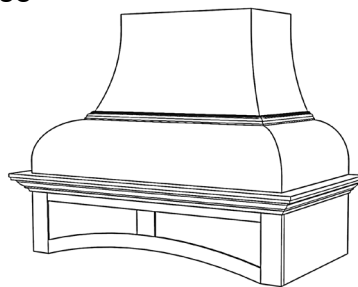
D- RSS Base

DRSS 36
DRSS 42
DRSS 48
DRSS 54
DRSS 60



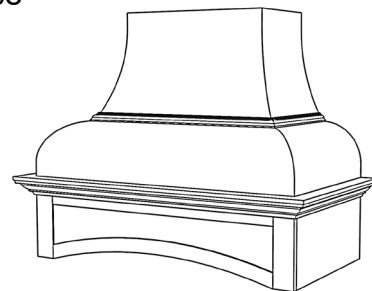
D- RA Base

DRA 36
DRA 42
DRA 48
DRA 54
DRA 60



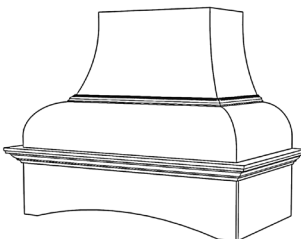
D- DP2 Base

DDP2 36
DDP2 42
DDP2 48
DDP2 54
DDP2 60



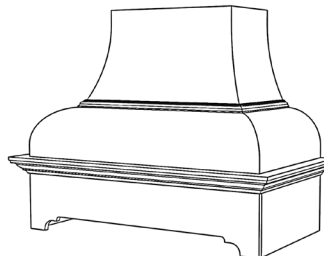
D- SL Base

DSL 36
DSL 42
DSL 48
DSL 54
DSL 60



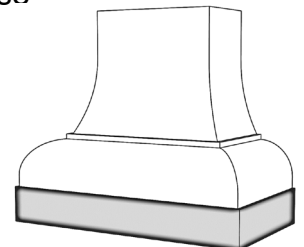
D- DP1Base

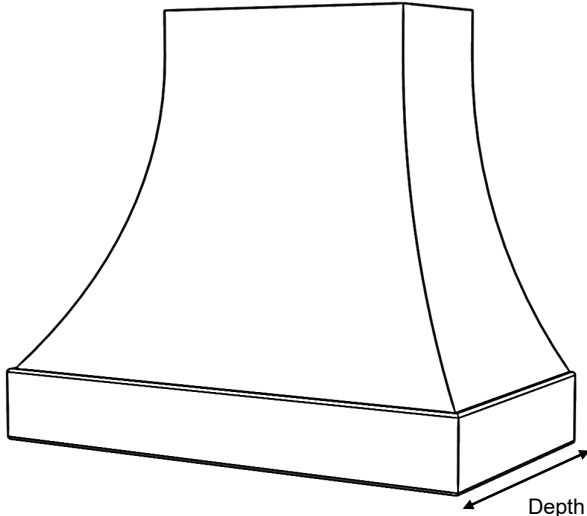
DDP1 36
DDP1 42
DDP1 48
DDP1 54
DDP1 60



D- SS Base

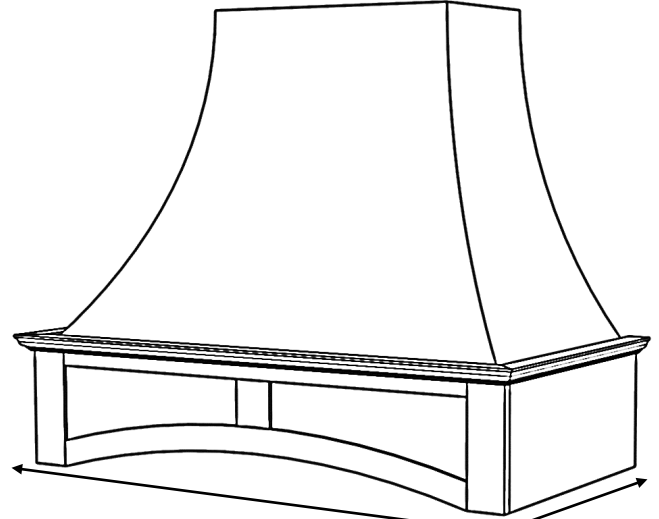
DSS 36
DSS 42
DSS 48
DSS 54
DSS 60





Depth is 22-1/4"

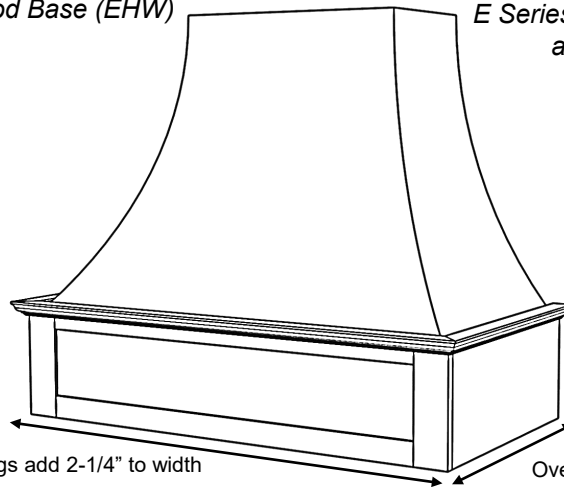
E Series shown with Hardwood Base (EHW)



Moldings add 2-1/4" to width

Overall Depth is 23-3/8"

E Series shown with RA Base (ERA) and #1 Classic molding



Moldings add 2-1/4" to width

Overall Depth is 23-3/8"

E Series shown with RSS Base (ERSS) and #1 Classic molding

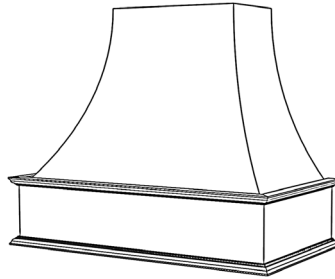
E Series

Standard Widths	36, 42, 48, 54, 60 (Reduced widths available)
Standard Heights	30, 36, 42, 48 (Reduced heights available)
Removable Options	Removable Top (RT) – see modifications section.
Available Options	Hardwood Battens (See batten options page)
Ventilation	Hood will be same width as available vent width. Example: To use a 36" vent model, the hood should be a minimum of 36" wide
Available Moldings	#1 Classic, #2 Simple, #3 Basic
Grain Direction	Vertical (Base is horizontal)

Standard Heights: 30, 36, 42, 48

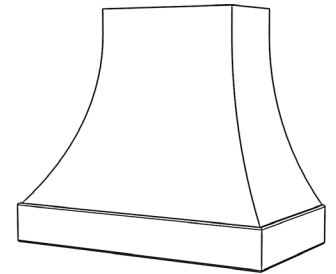
E- Standard Base

E 36
E 42
E 48
E 54
E 60



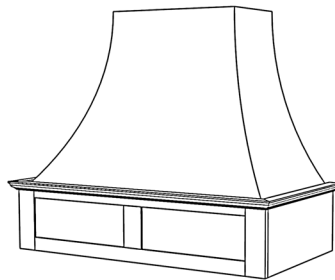
E- Hardwood Base

EHW 36
EHW 42
EHW 48
EHW 54
EHW 60



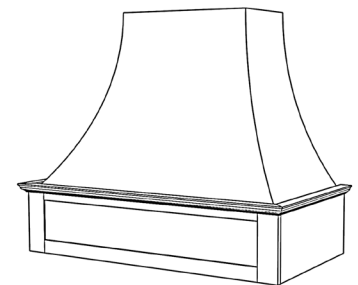
E- RS Base

ERS 36
ERS 42
ERS 48
ERS 54
ERS 60



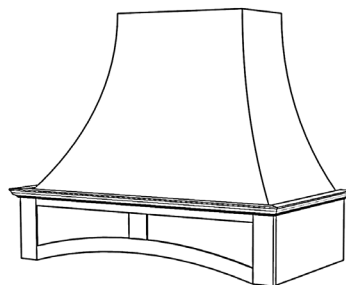
E- RSS Base

ERSS 36
ERSS 42
ERSS 48
ERSS 54
ERSS 60



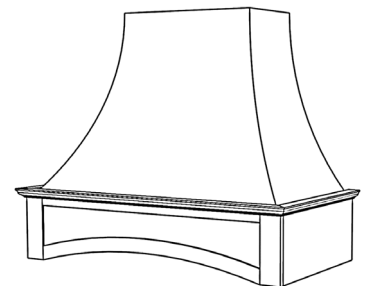
E- RA Base

ERA 36
ERA 42
ERA 48
ERA 54
ERA 60



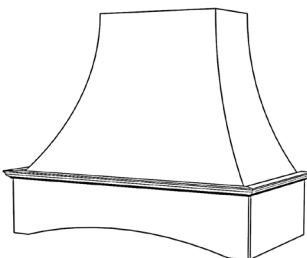
E- DP2 Base

EDP2 36
EDP2 42
EDP2 48
EDP2 54
EDP2 60



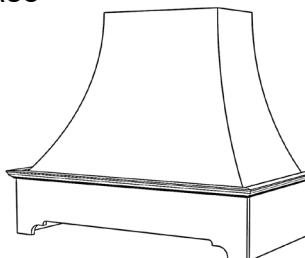
E- SL Base

ESL 36
ESL 42
ESL 48
ESL 54
ESL 60



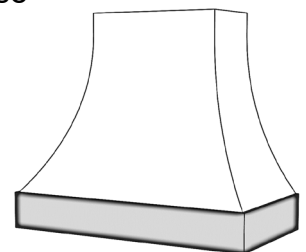
E- DP1 Base

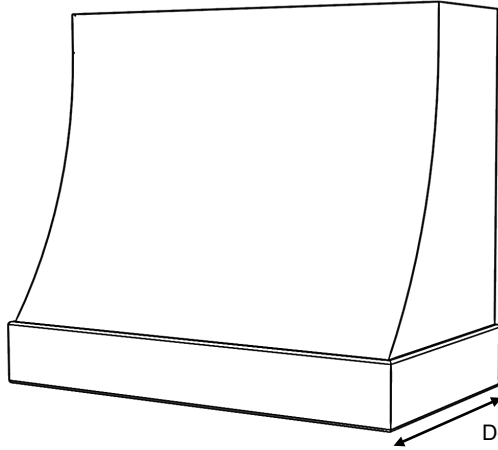
EDP1 36
EDP1 42
EDP1 48
EDP1 54
EDP1 60



E- SS Base

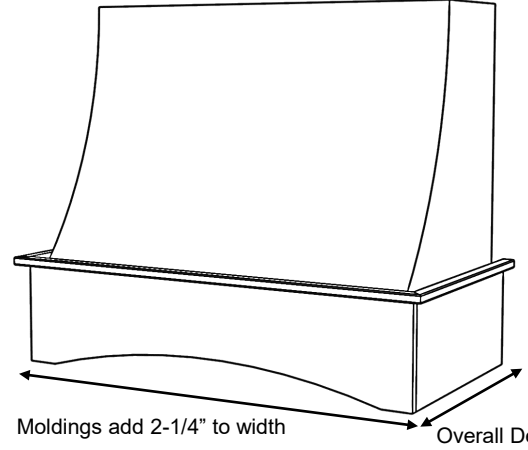
ESS 36
ESS 42
ESS 48
ESS 54
ESS 60





Depth is 22-1/4"

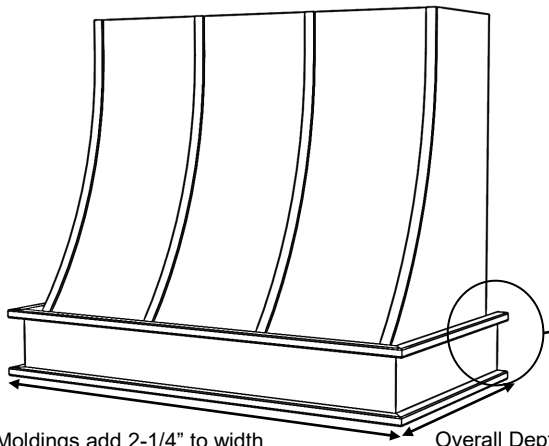
E200 Series shown with Hardwood Base (E200HW)



Moldings add 2-1/4" to width

Overall Depth is 23-3/8"

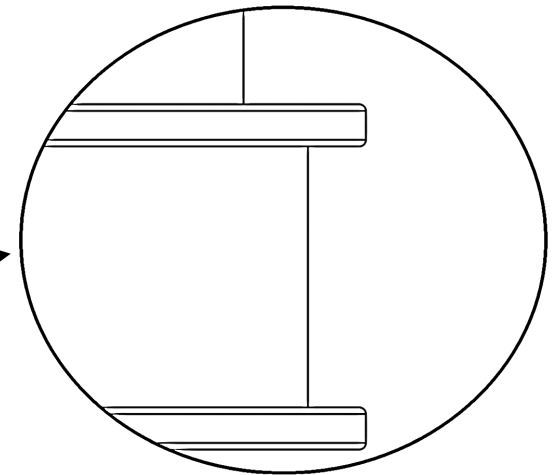
E200 Series shown with SL Base (E200SL) and #3 Basic moldings



Moldings add 2-1/4" to width

Overall Depth is 23-3/8"

E200 Series shown with PL Base (E200PL) #3 Basic moldings and optional Hardwood Battens



E200 Series

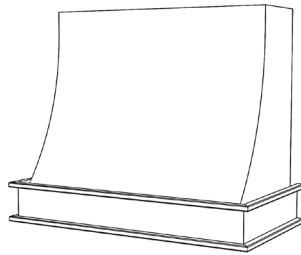
Standard Widths	30, 36, 42, 48, 54, 60 (Reduced widths available)
Standard Heights	24, 30, 36, 42, 48 (Reduced heights available)
Removable Options	Removable Top (RT) – see modifications section.
Available options	Hardwood Battens (See batten options page)
Ventilation	Hood will be same width as available vent width. Example: To use a 36" vent model, the hood should be a minimum of 36" wide
Available Moldings	#3 Basic is standard #1 Classic or #2 Simple available upon request
Grain Direction	Vertical (Base is horizontal)

700 South Glaspie Street • Oxford, MI 48371 • (248) 572-6880 • email: sales@wood-hood.com • www.wood-hood.com

Standard Heights: 24, 30, 36, 42, 48

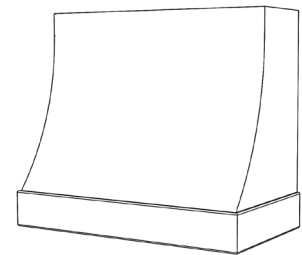
E200- PL Base

- E200PL 30
- E200PL 36
- E200PL 42
- E200PL 48
- E200PL 54
- E200PL 60



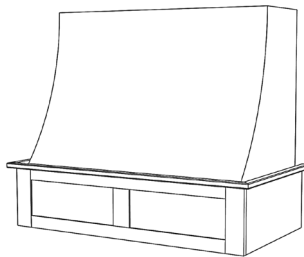
E200- Hardwood Base

- E200HW 30
- E200HW 36
- E200HW 42
- E200HW 48
- E200HW 54
- E200HW 60



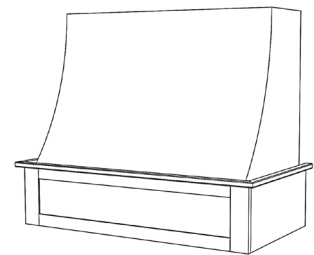
E200- RS Base

- E200RS 30
- E200RS 36
- E200RS 42
- E200RS 48
- E200RS 54
- E200RS 60



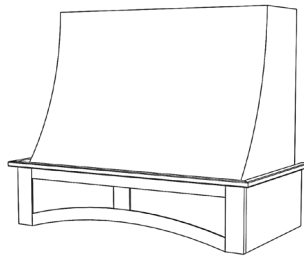
E200- RSS Base

- E200RSS 30
- E200RSS 36
- E200RSS 42
- E200RSS 48
- E200RSS 54
- E200RSS 60



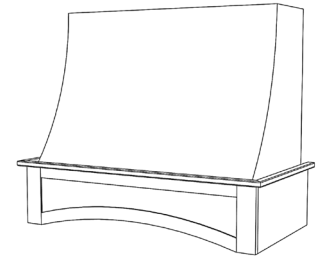
E200- RA Base

- E200RA 30
- E200RA 36
- E200RA 42
- E200RA 48
- E200RA 54
- E200RA 60



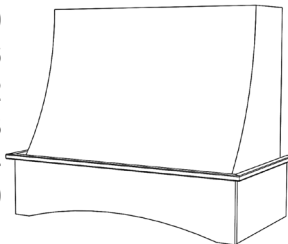
E200- DP2 Base

- E200DP2 30
- E200DP2 36
- E200DP2 42
- E200DP2 48
- E200DP2 54
- E200DP2 60



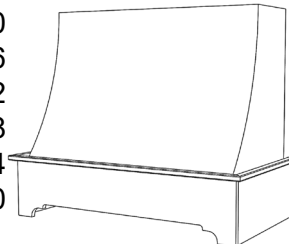
E200- SL Base

- E200SL 30
- E200SL 36
- E200SL 42
- E200SL 48
- E200SL 54
- E200SL 60



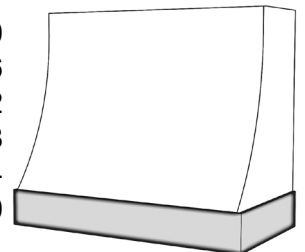
E200- DP1 Base

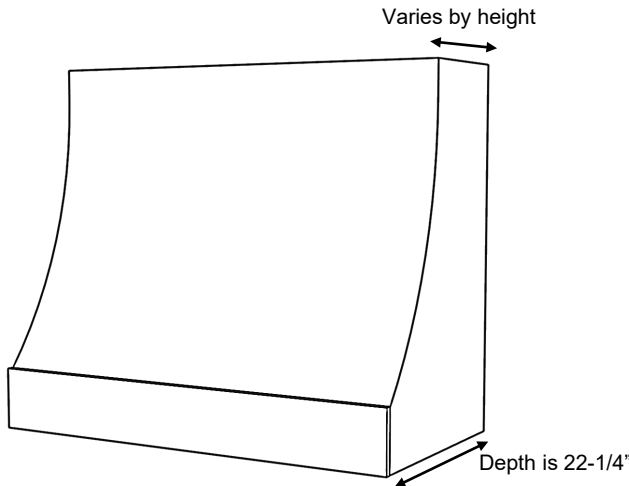
- E200DP1 30
- E200DP1 36
- E200DP1 42
- E200DP1 48
- E200DP1 54
- E200DP1 60



E200- SS Base

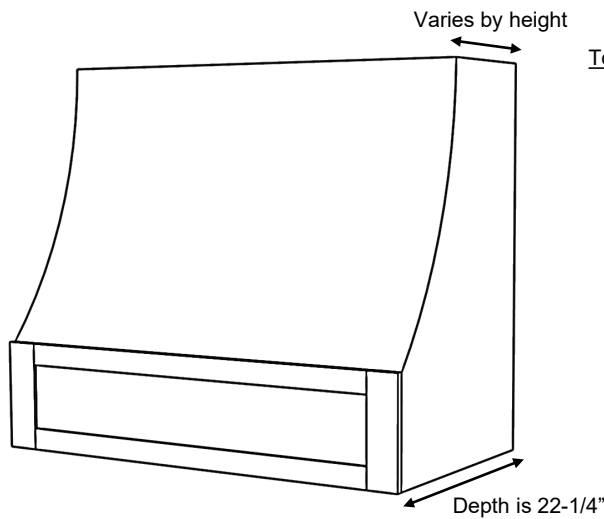
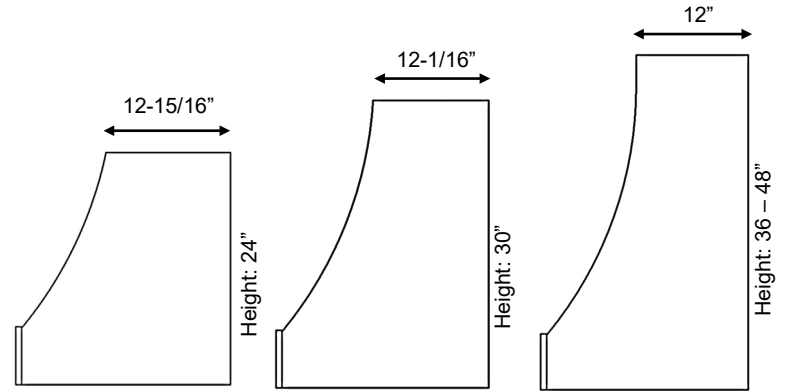
- E200SS 30
- E200SS 36
- E200SS 42
- E200SS 48
- E200SS 54
- E200SS 60





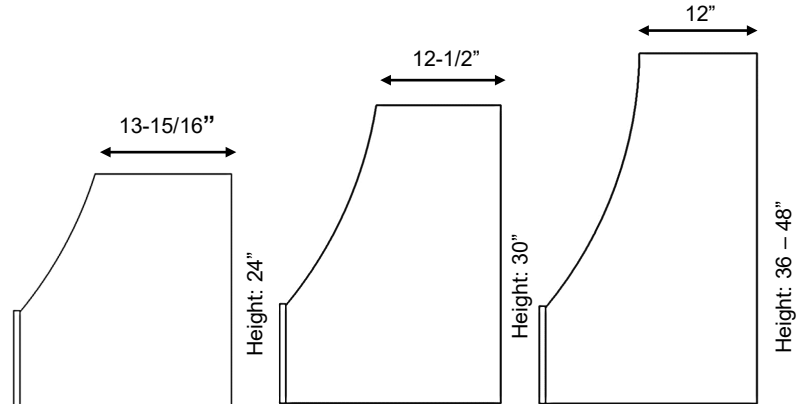
E300 Series shown with Hardwood Slab (E300)

Top Depth by Height for Models: E300



E300 Series shown with RSS Base (E300RSS)

Top Depth by Height for Models: E300RS, E300RSS, E300RA, E300DP2, E300SL, E300DP1



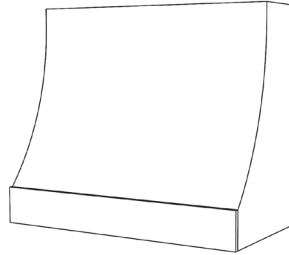
E300 Series

Standard Widths	30, 36, 42, 48, 54, 60 (Reduced widths available)
Standard Heights	24, 30, 36, 42, 48 (Reduced heights available)
Removable Options	Not available
Available Options	Hardwood Battens (See batten options page) Applied Molding wrap (See options page) Applied Hardwood Wrap (See options page)
Ventilation	Hood will be same width as available vent width. Example: To use a 36" vent model, the hood should be a minimum of 36" wide.
Grain Direction	Vertical (Front base panel is horizontal)

Standard Heights: 24, 30, 36, 42, 48

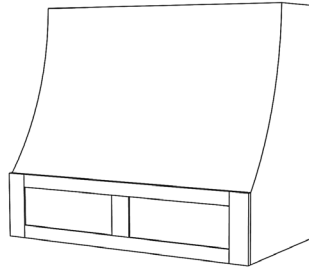
E300

- E300 30
- E300 36
- E300 42
- E300 48
- E300 54
- E300 60



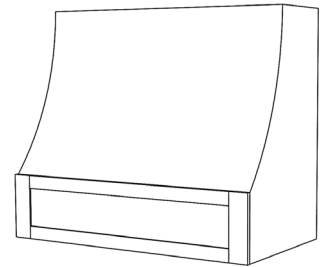
E300- RS Base

- E300RS 30
- E300RS 36
- E300RS 42
- E300RS 48
- E300RS 54
- E300RS 60



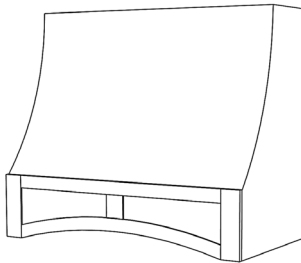
E300- RSS Base

- E300RSS 30
- E300RSS 36
- E300RSS 42
- E300RSS 48
- E300RSS 54
- E300RSS 60



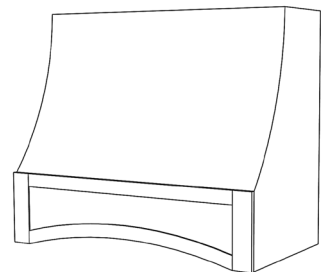
E300- RA Base

- E300RA 30
- E300RA 36
- E300RA 42
- E300RA 48
- E300RA 54
- E300RA 60



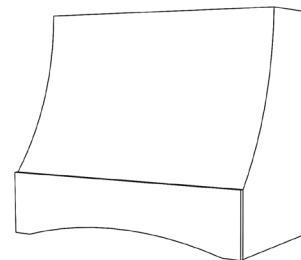
E300- DP2 Base

- E300DP2 30
- E300DP2 36
- E300DP2 42
- E300DP2 48
- E300DP2 54
- E300DP2 60



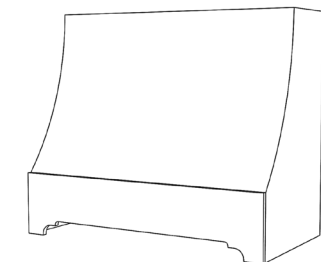
E300- SL Base

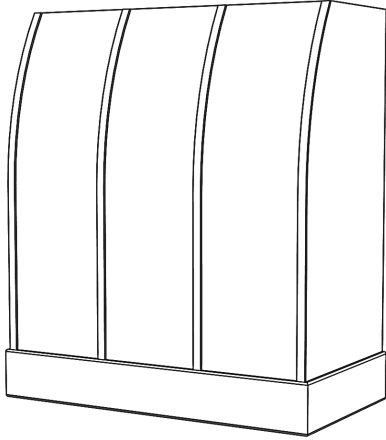
- E300SL 30
- E300SL 36
- E300SL 42
- E300SL 48
- E300SL 54
- E300SL 60



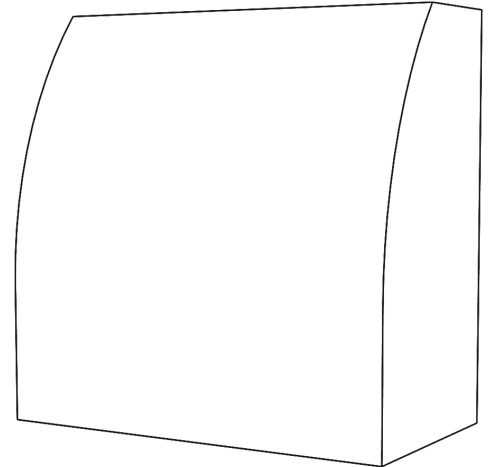
E300- DP1 Base

- E300DP1 30
- E300DP1 36
- E300DP1 42
- E300DP1 48
- E300DP1 54
- E300DP1 60

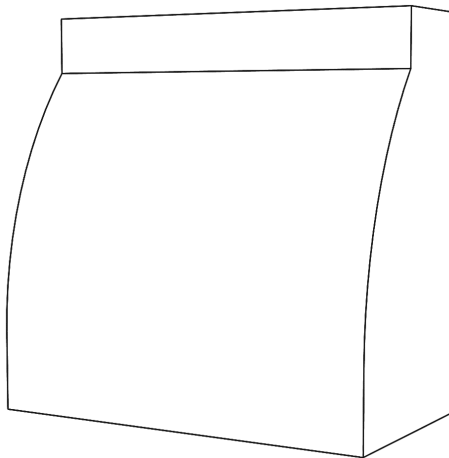




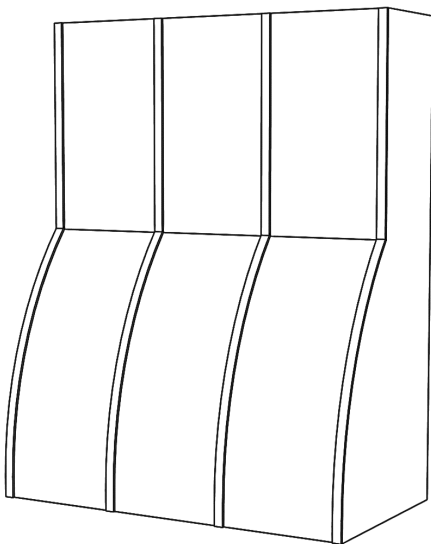
*ER200 Series shown with Hardwood Base (ER200HW)
and optional battens*



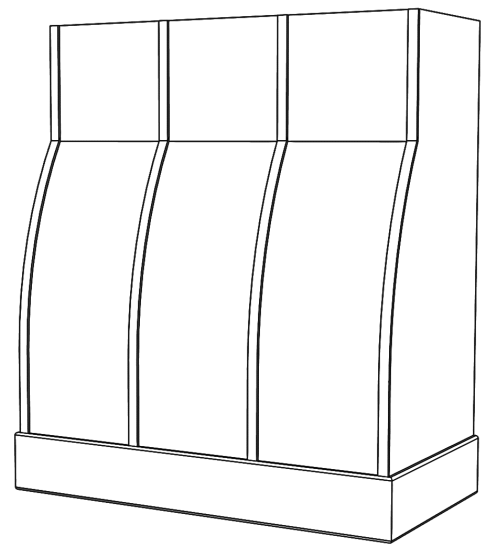
ER300 Series hood (ER300)



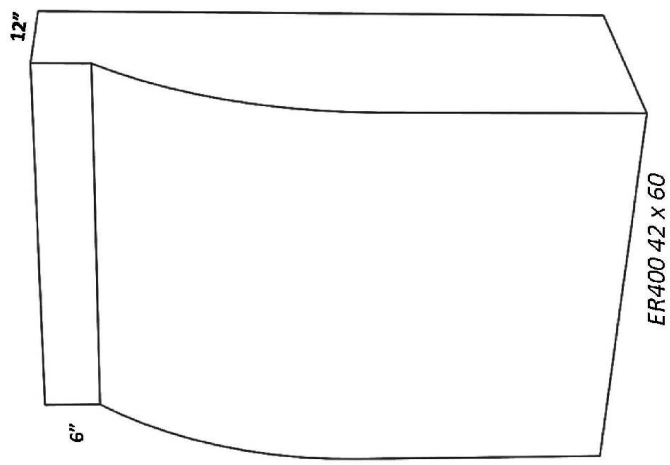
ER400 Series hood (ER400)



*ER500 Series hood (ER500)
shown with optional battens*

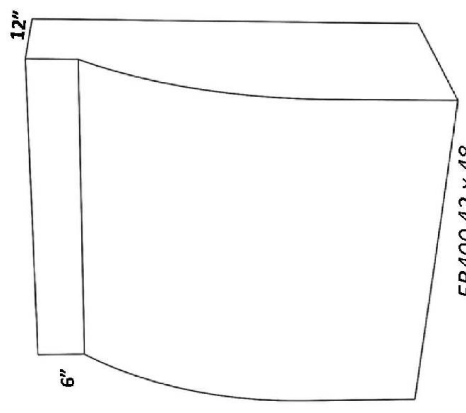


*ER600 Series hood shown with hardwood base (ER600HW)
and optional battens on curved face*



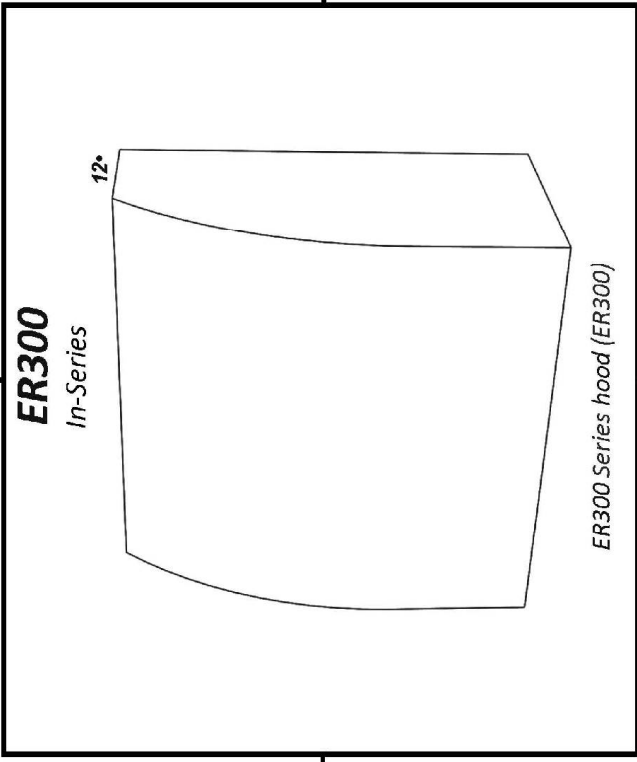
ER400 42 x 60

ER400
In-Series



ER400 42 x 48

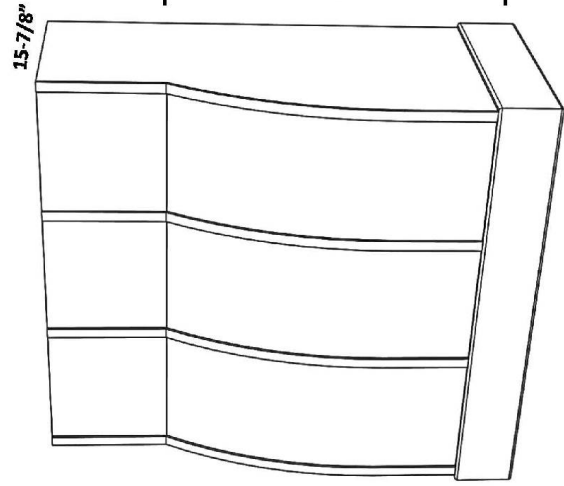
ER300
In-Series



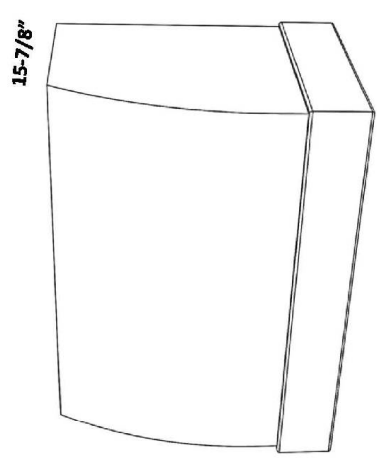
ER300 Series hood (ER300)

ER600
Free-Standing

FOR OVERALL HEIGHT: 42 - 60"

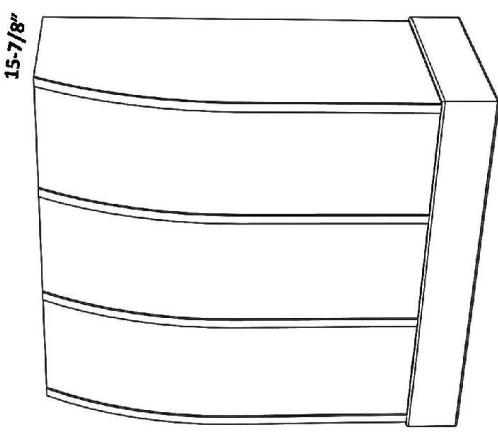


ER600 shown with hardwood base (ER600HW) and optional battens



ER200 shown with hardwood base (ER200HW)

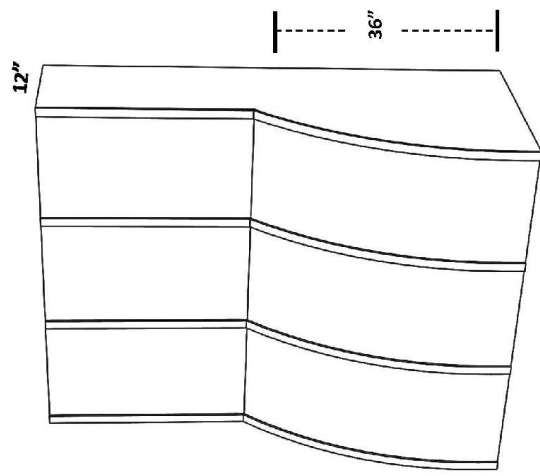
ER200
Free-Standing



ER200 shown with hardwood base (ER200HW) and optional battens

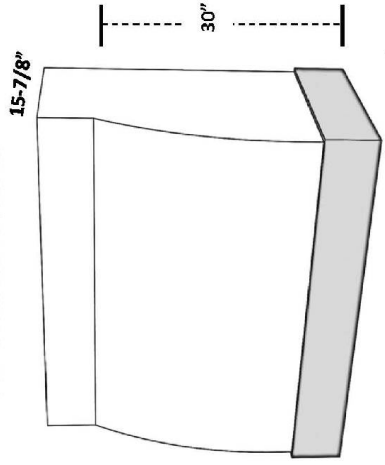
ER500
In-Series

FOR OVERALL HEIGHT: 42 - 60"



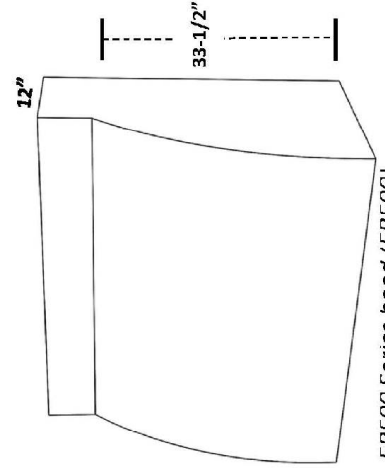
ER500 Series hood (ER500) Shown with optional battens

FOR OVERALL HEIGHT: 36"

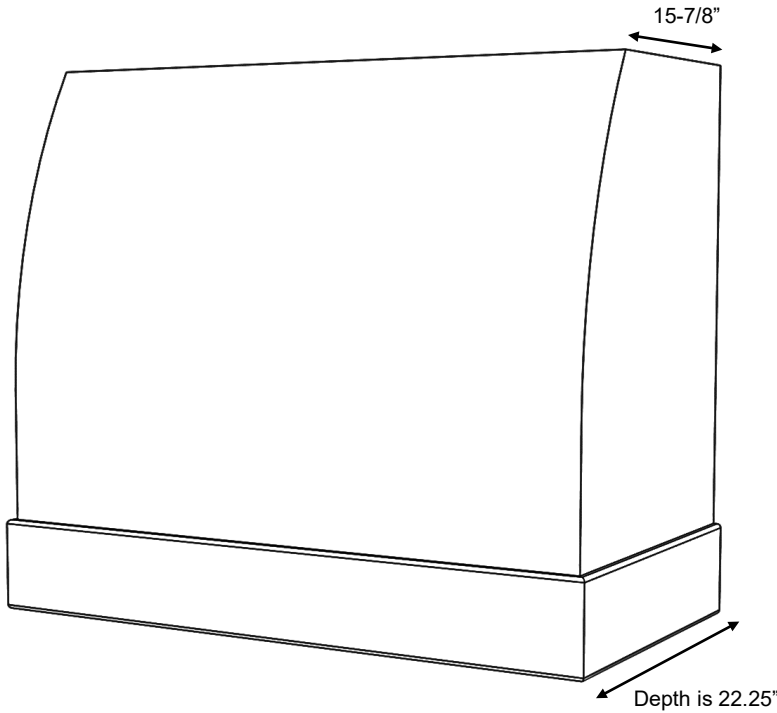


ER600 shown with SS Base (ER600SS)

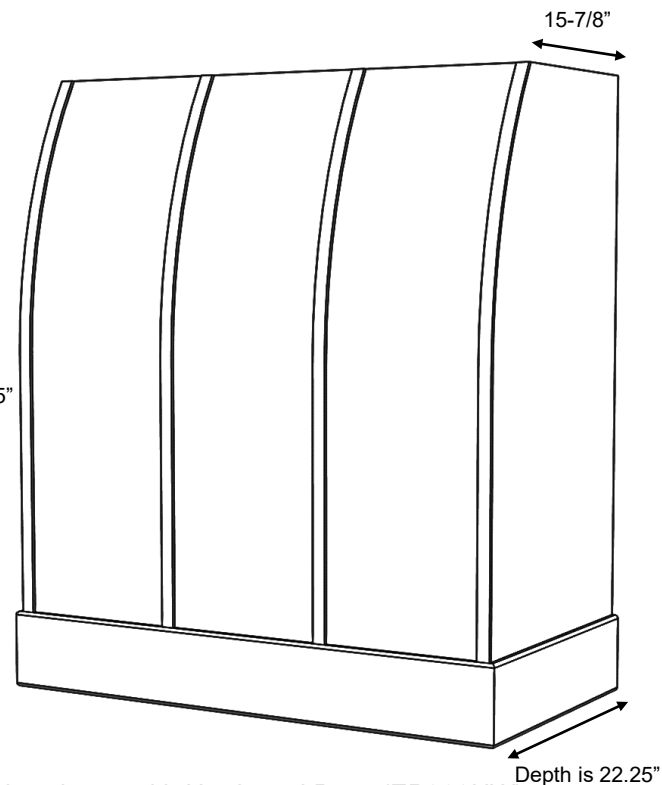
FOR OVERALL HEIGHT: 36"



ER500 Series hood (ER500)



ER200 Series shown with Hardwood Base (ER200HW)



ER200 Series shown with Hardwood Base (ER200HW) and optional Hardwood Battens

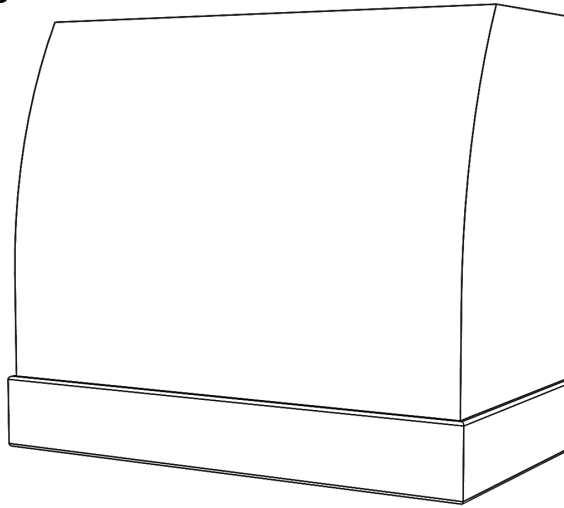
ER200 Series

Standard Widths	30, 36, 42, 48, 54, 60 (Reduced widths available)
Standard Heights	30, 36, 42, 48, 54, 60 (Reduced heights available)
Removable Options	Not available
Available Options	Hardwood Battens (See batten options page)
Ventilation	Hood will be same width as available vent width. Example: To use a 36" vent model, the hood should be a minimum of 36" wide.
Grain Direction	Vertical (base is horizontal)

Standard Heights: 30, 36, 42, 48, 54, 60

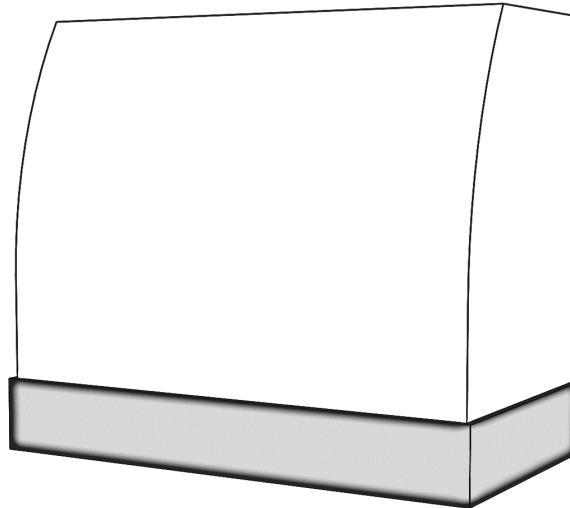
ER200- Hardwood Base

- ER200HW 30
- ER200HW 36
- ER200HW 42
- ER200HW 48
- ER200HW 54*
- ER200HW 60*

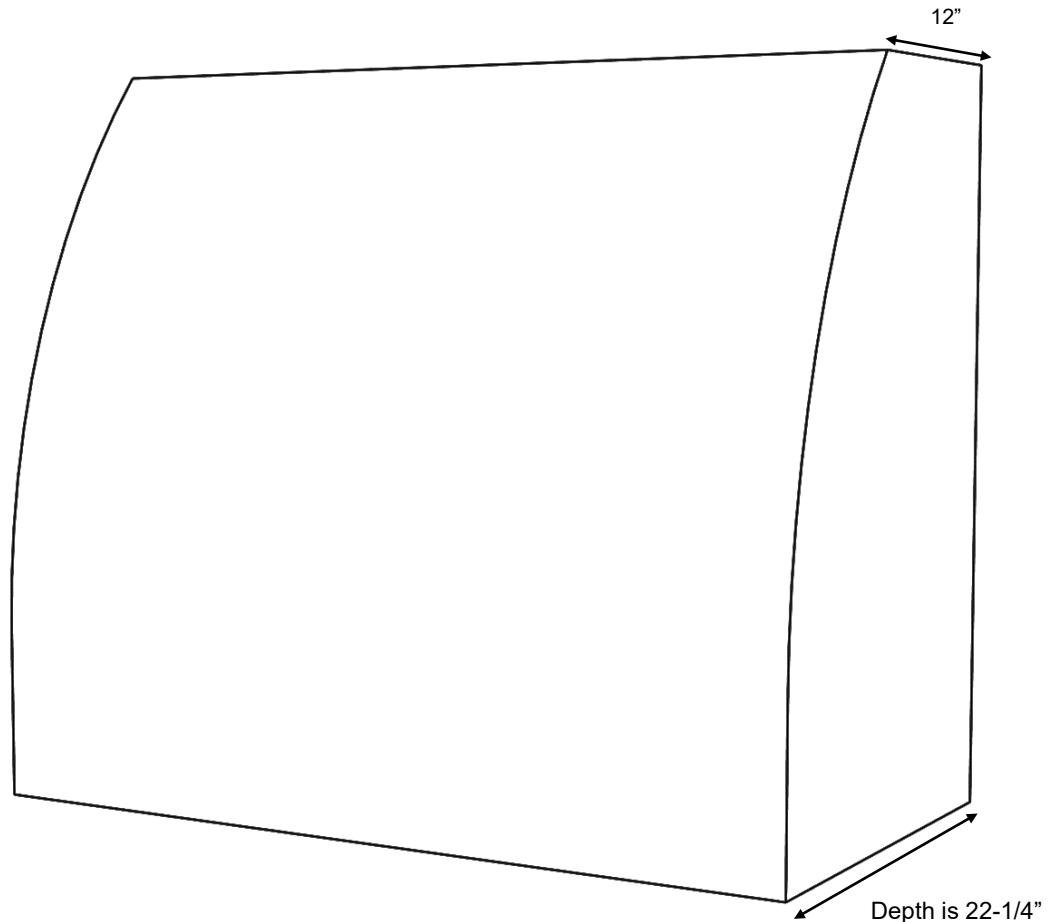


ER200- SS Base

- ER200SS 30
- ER200SS 36
- ER200SS 42
- ER200SS 48
- ER200SS 54*
- ER200SS 60*



* Hoods over 48" Wide have a maximum height of 48".



ER300 Series Hood (ER300)

ER300 Series

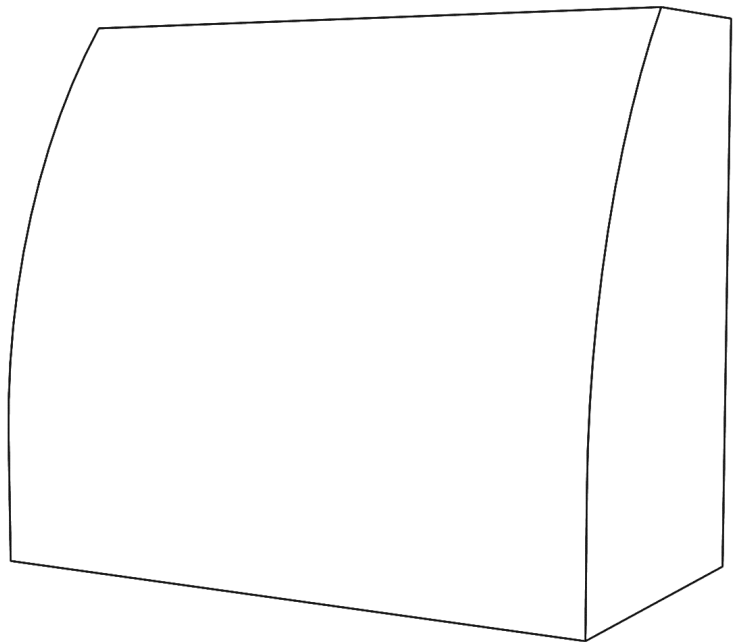
Standard Widths	30, 36, 42, 48, 54, 60 (Reduced widths available)
Standard Heights	36, 42, 48, 54, 60 (Reduced heights available)
Removable Options	Not available
Available Options	Hardwood Battens (See batten options page)
Ventilation	Hood will be same width as available vent width. Example: To use a 36" vent model, the hood should be a minimum of 36" wide.
Grain Direction	Vertical

700 South Gaspie Street • Oxford, MI 48371 • (248) 572-6880 • email: sales@wood-hood.com • www.wood-hood.com

Standard Heights: 36, 42, 48, 54, 60

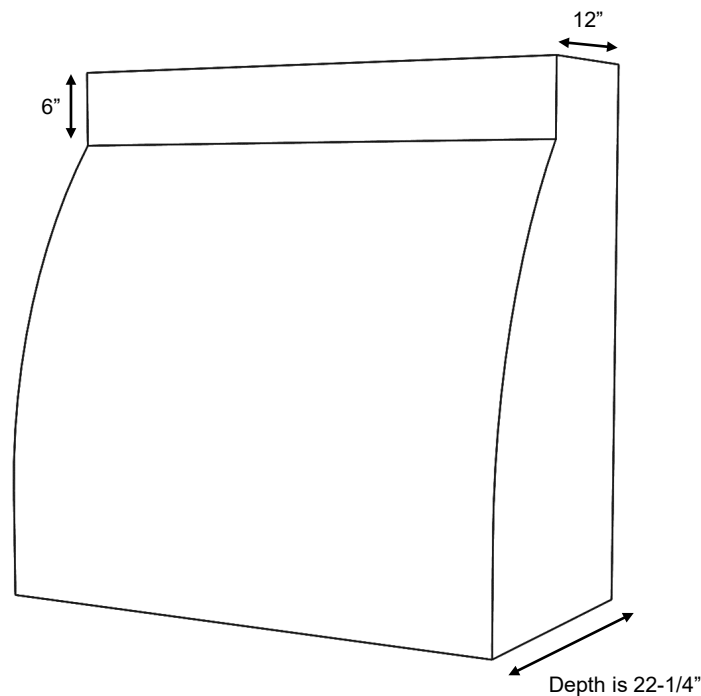
ER300

- ER300 30
- ER300 36
- ER300 42
- ER300 48
- ER300 54*
- ER300 60*



** Hoods over 48" Wide have a maximum height of 42"*

FOR OVERALL HEIGHTS: 48" – 60"



ER400 Series Hood, 42 x 48 (ER400)

ER400 Series

Standard Widths	30, 36, 42, 48, 54, 60 (Reduced widths available)
Standard Heights	48, 54, 60 (Reduced heights available)
Removable Options	Not available
Available Options	Hardwood Battens (See batten options page)
Ventilation	Hood will be same width as available vent width. Example: To use a 36" vent model, the hood should be a minimum of 36" wide.
Grain Direction	Vertical

Standard Heights: 48, 54, 60

ER400

ER400 30

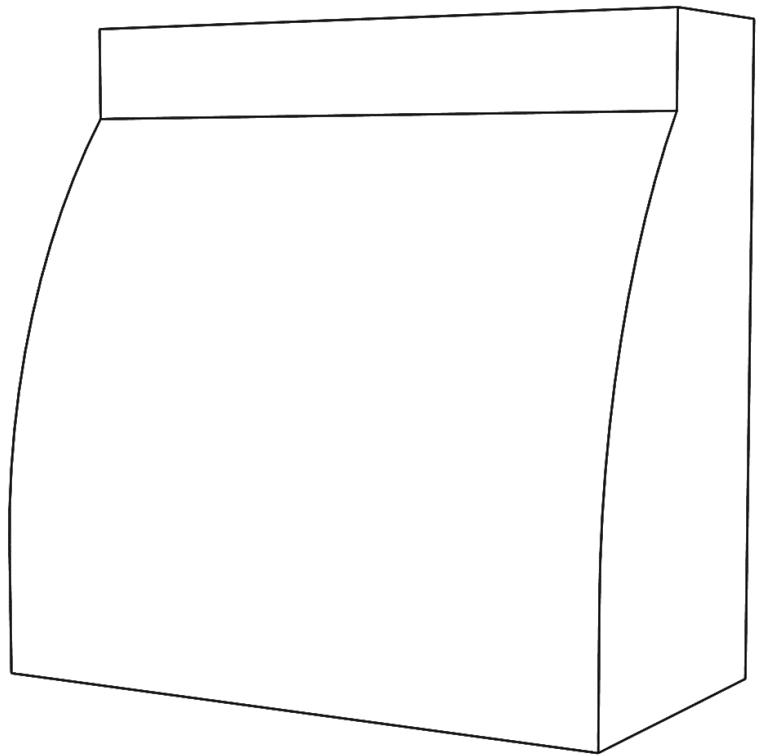
ER400 36

ER400 42

ER400 48

ER400 54*

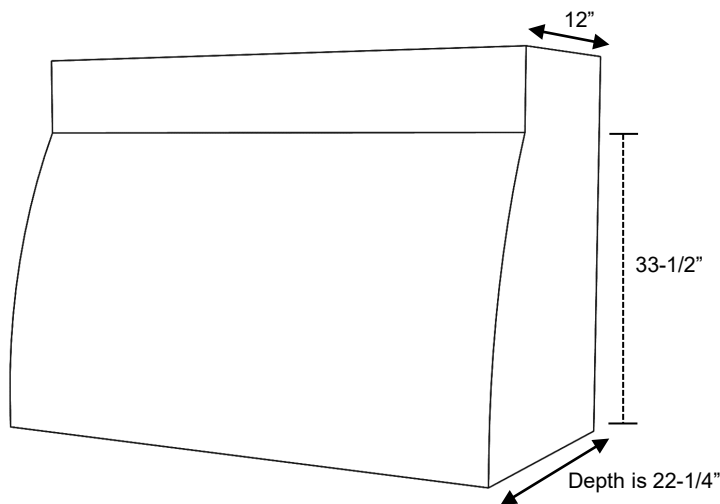
ER400 60*



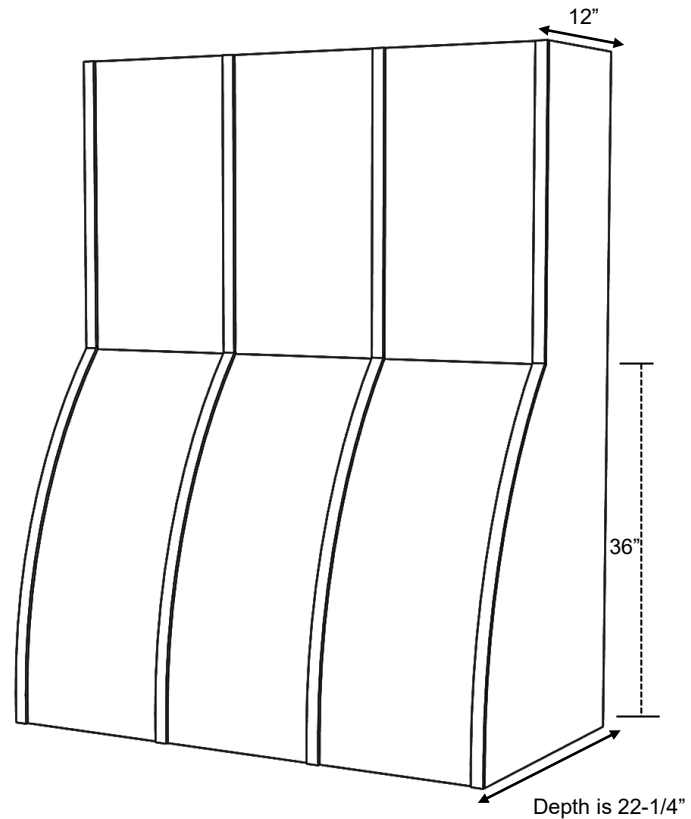
** Hoods over 48" Wide have a maximum height of 48"*

FOR OVERALL HEIGHTS: 42" – 60"

FOR OVERALL HEIGHT: 36"



ER500 Series 42 x 36 (ER500)



ER500 Series 42 x 54 (ER500)
Shown with optional Hardwood Battens

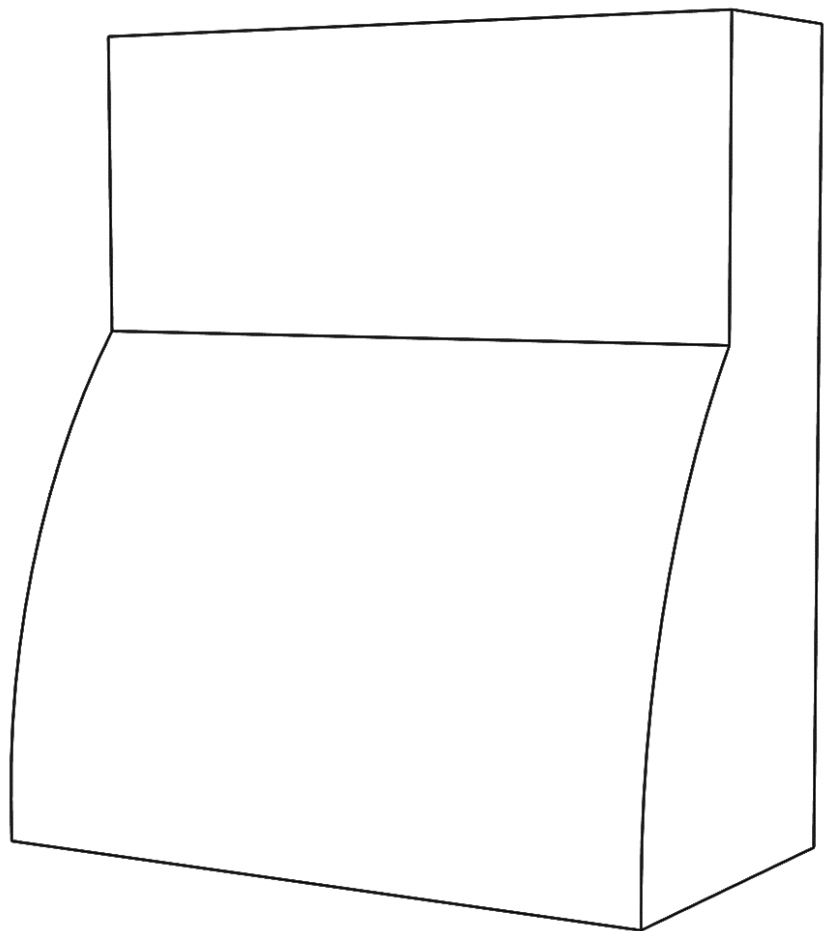
ER500 Series

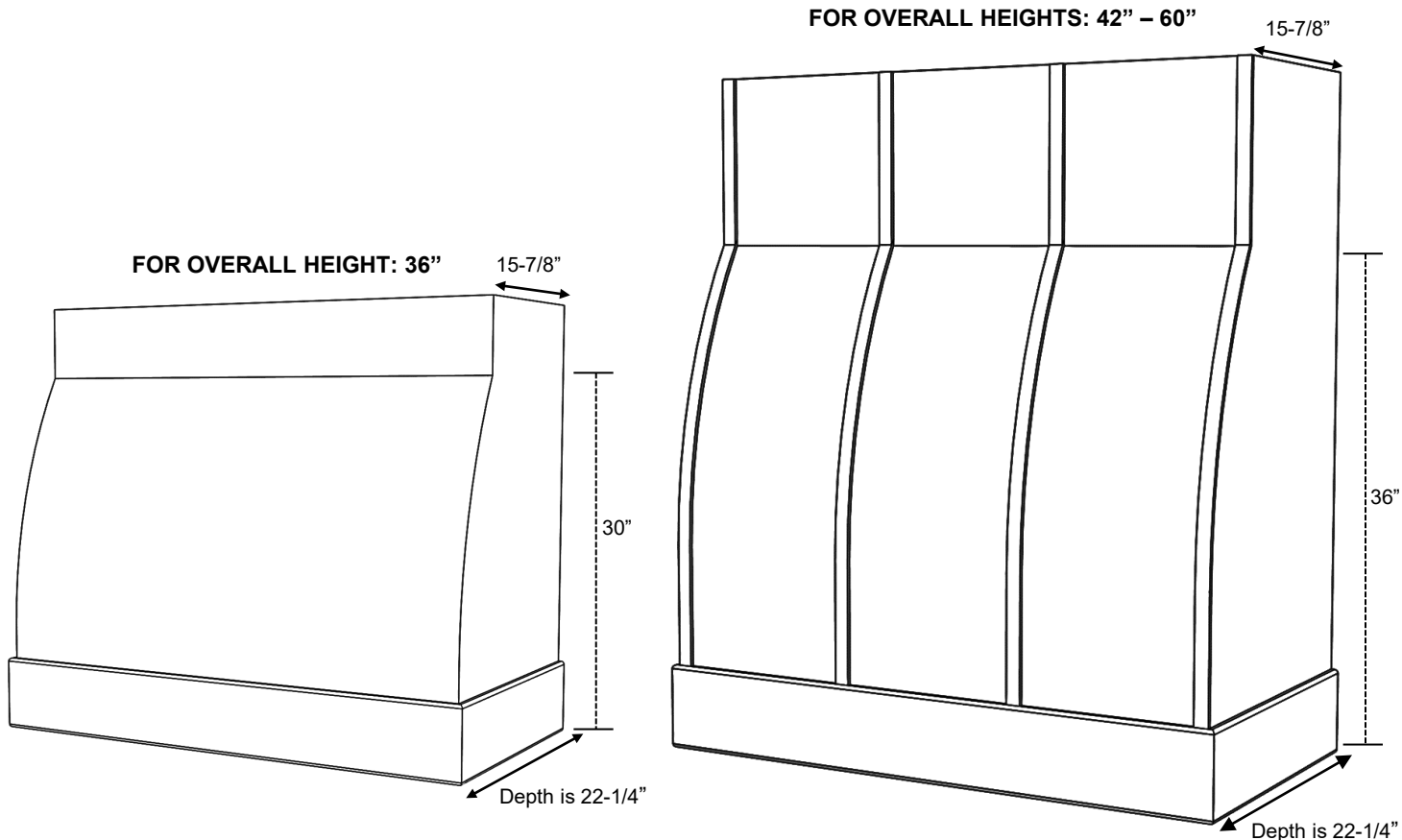
Standard Widths	30, 36, 42, 48, 54, 60 (Reduced widths available)
Standard Heights	36, 42, 48, 54, 60 (Reduced heights available)
Removable Options	Not available
Available Options	Hardwood Battens (See batten options page)
Ventilation	Hood will be same width as available vent width. Example: To use a 36" vent model, the hood should be a minimum of 36" wide.
Grain Direction	Vertical

Standard Heights: 36, 42, 48, 54, 60

ER500

- ER500 30
- ER500 36
- ER500 42
- ER500 48
- ER500 54
- ER500 60





ER600 Series 42 x 36 shown with Hardwood Base (ER600HW)

ER600 Series 42 x 48 shown with Hardwood Base (ER600HW) and optional Hardwood Battens

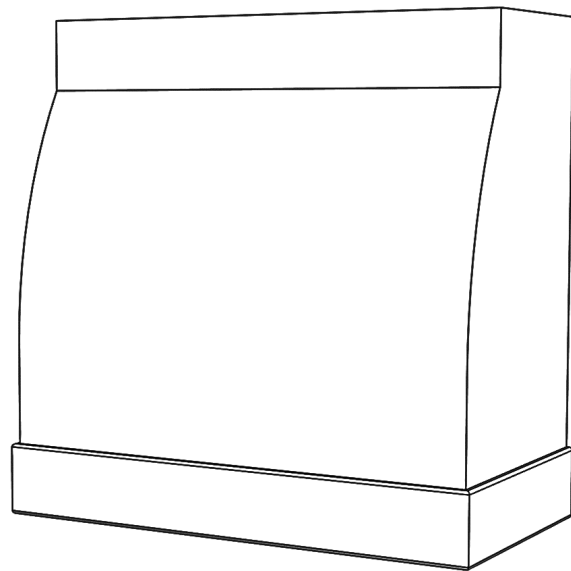
ER600 Series

Standard Widths	30, 36, 42, 48, 54, 60 (Reduced widths available)
Standard Heights	36, 42, 48, 54, 60 (Reduced heights available)
Removable Options	Not available
Available Options	Hardwood Battens (See batten options page)
Ventilation	Hood will be same width as available vent width. Example: To use a 36" vent model, the hood should be a minimum of 36" wide.
Grain Direction	Vertical (base is horizontal)

Standard Heights: 36, 42, 48, 54, 60

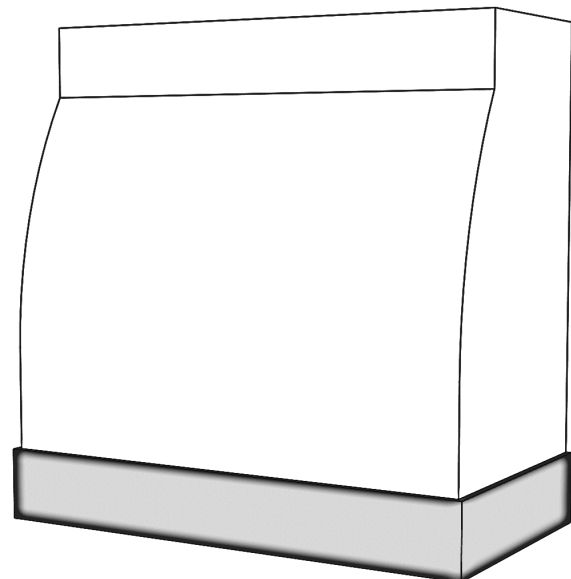
ER600- Hardwood Base

ER600HW 30
ER600HW 36
ER600HW 42
ER600HW 48
ER600HW 54
ER600HW 60



ER600- SS Base

ER600SS 30
ER600SS 36
ER600SS 42
ER600SS 48
ER600SS 54
ER600SS 60

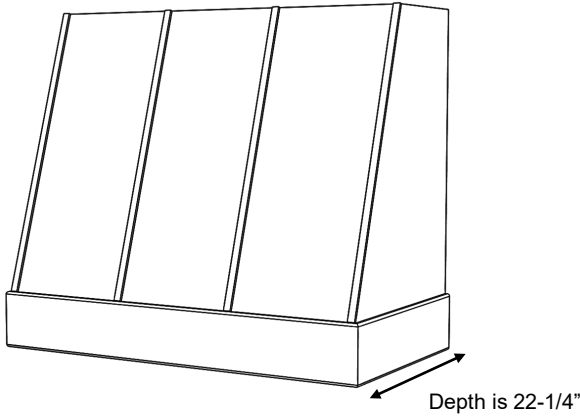


Previously Named: FX2

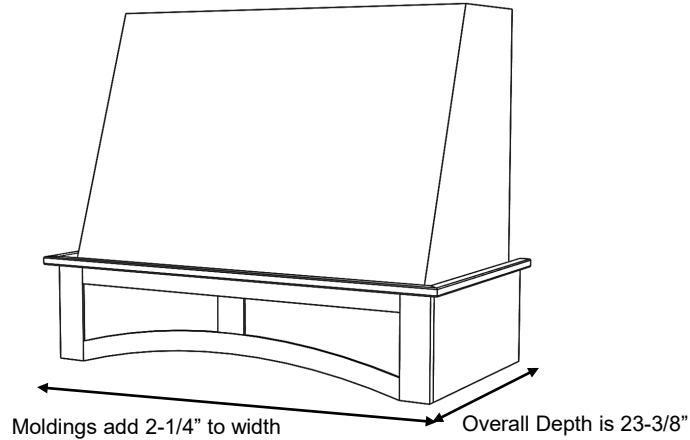
STANISCI DESIGN™

Fanfare - FX200 Series

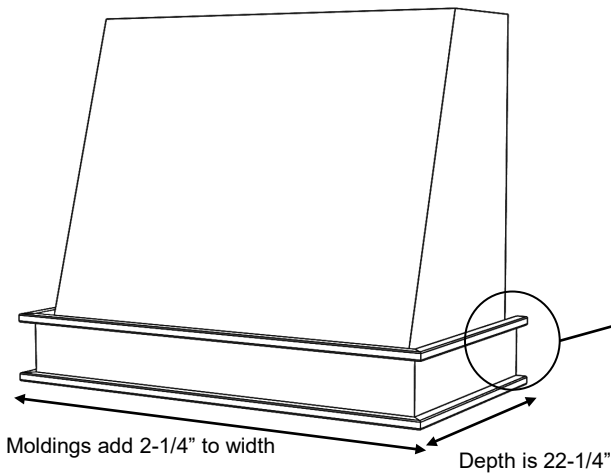
Free Standing



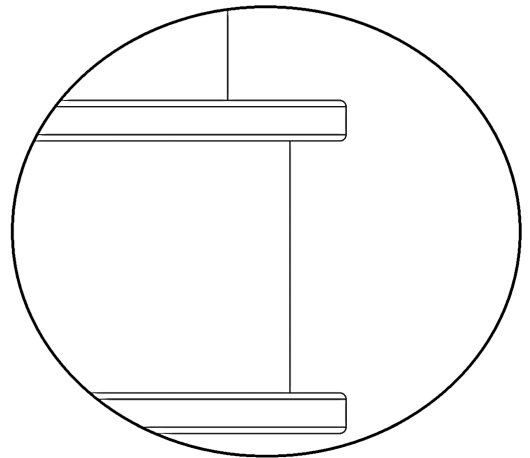
FX200 Series shown with Hardwood Base (FX200HW) and optional Hardwood Battens



FX200 Series shown with RA Base (FX200RA) and #3 Basic Moldings



FX200 Series shown with PL Base (FX200PL) and #3 Basic moldings



FX200 Series

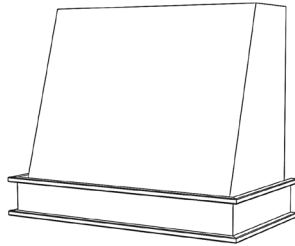
Standard Widths	30, 36, 42, 48, 54, 60 (Reduced widths available)
Standard Heights	24, 30, 36, 42, 48 (Reduced heights available)
Removable Options	Removable Top (RT) – see modifications section.
Ventilation	Hood will be same width as available vent width. Example: To use a 36" vent model, the hood should be a minimum of 36" wide
Available Options	Hardwood Battens (See batten options page)
Grain Direction	Vertical (Base is horizontal)

700 South Gaspie Street • Oxford, MI 48371 • (248) 572-6880 • email: sales@wood-hood.com • www.wood-hood.com

Standard Heights: 24, 30, 36, 42, 48

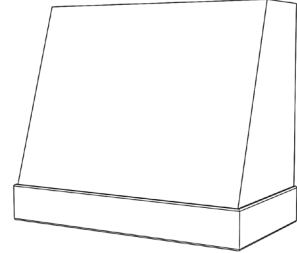
FX200- PL Base

- FX200PL 30
- FX200PL 36
- FX200PL 42
- FX200PL 48
- FX200PL 54
- FX200PL 60



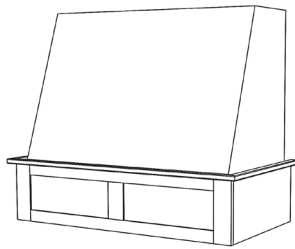
FX200- Hardwood Base

- FX200HW 30
- FX200HW 36
- FX200HW 42
- FX200HW 48
- FX200HW 54
- FX200HW 60



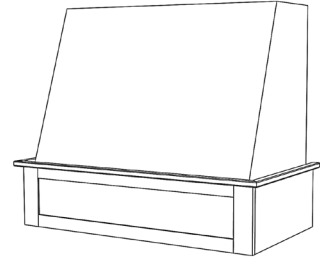
FX200- RS Base

- FX200RS 30
- FX200RS 36
- FX200RS 42
- FX200RS 48
- FX200RS 54
- FX200RS 60



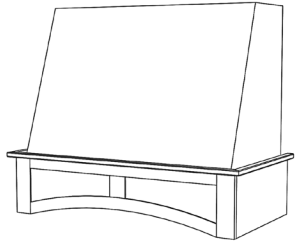
FX200- RSS Base

- FX200RSS 30
- FX200RSS 36
- FX200RSS 42
- FX200RSS 48
- FX200RSS 54
- FX200RSS 60



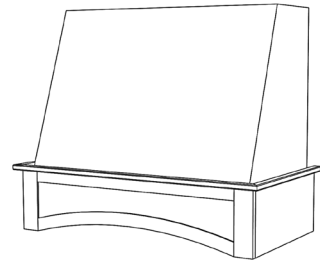
FX200- RA Base

- FX200RA 30
- FX200RA 36
- FX200RA 42
- FX200RA 48
- FX200RA 54
- FX200RA 60



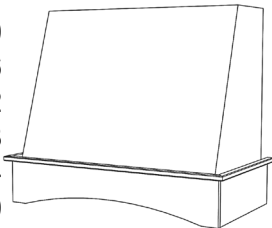
FX2- DP2 Base

- FX200DP2 30
- FX200DP2 36
- FX200DP2 42
- FX200DP2 48
- FX200DP2 54
- FX200DP2 60



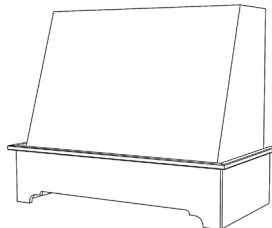
FX200- SL Base

- FX200SL 30
- FX200SL 36
- FX200SL 42
- FX200SL 48
- FX200SL 54
- FX200SL 60



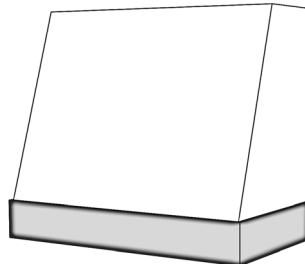
FX200- DP1 Base

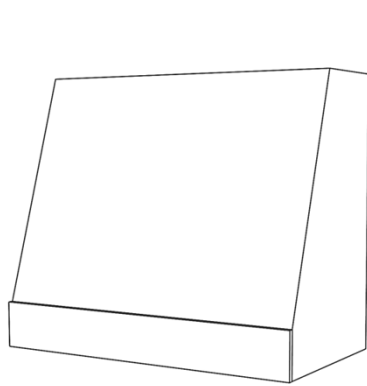
- FX200DP1 30
- FX200DP1 36
- FX200DP1 42
- FX200DP1 48
- FX200DP1 54
- FX200DP1 60



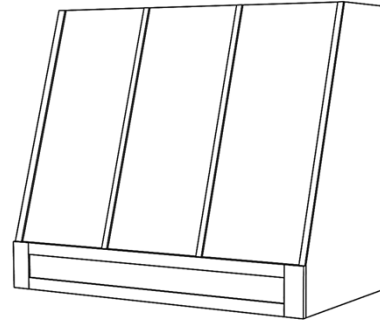
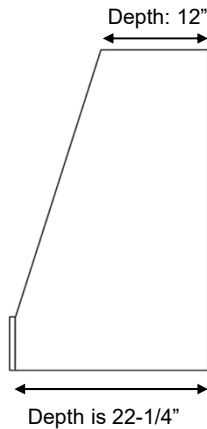
FX200- SS Base

- FX200SS 30
- FX200SS 36
- FX200SS 42
- FX200SS 48
- FX200SS 54
- FX200SS 60

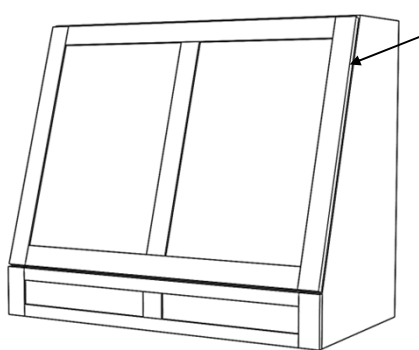
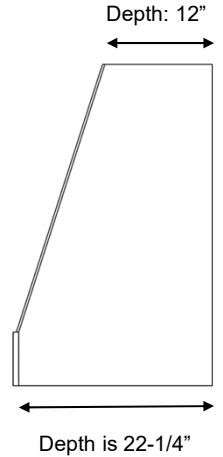




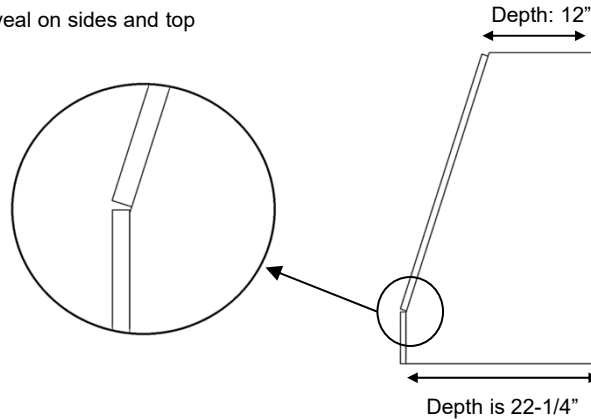
FX300 Series shown with
Hardwood Slab (FX300)



FX300 Series shown with 1 Base Door Panel
(FX300BP) and Optional Hardwood Battens



FX300 Series shown with 2 Base Door Panels
and 2 Upper Door Panels (FX300BPUP 2-2)



FX300 Series

Standard Widths	30, 36, 42, 48, 54, 60 (Reduced widths available)
Standard Heights	24, 30, 36, 42, 48 (Reduced heights available)
Removable Options	Hoods with an upper door panel option - Removable Panel is standard Hoods without an upper door panel option – No Removable Panel
Available Options	Hardwood Battens (See batten options page) Applied Molding Wrap (See options page) Applied Hardwood Wrap (See options page) 12" Top Depth can be modified by request.
Standard Assumptions	Base door panels must be flat
Ventilation	Hood will be same width as available vent width. Example: To use a 36" vent model, the hood should be a minimum of 36" wide
Grain Direction	Vertical (Base is horizontal) Hoods over 48" wide will have horizontal grain

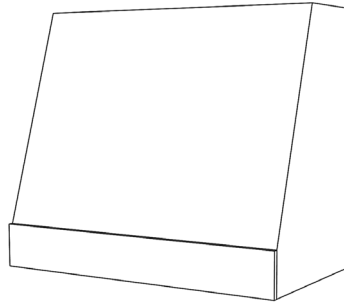
Standard Widths: 30, 36, 42, 48, 54, 60

Standard Heights: 24, 30, 36, 42, 48

FX300

FX300

- FX300 30
- FX300 36
- FX300 42
- FX300 48
- FX300H 54*
- FX300H 60*



* Hoods over 48" wide will have horizontal grain on tapered front, sides, and base.

FX300BP

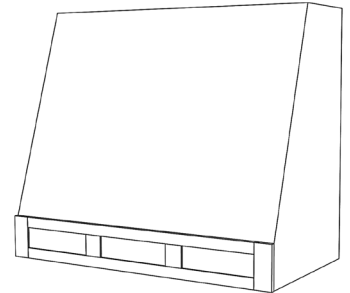
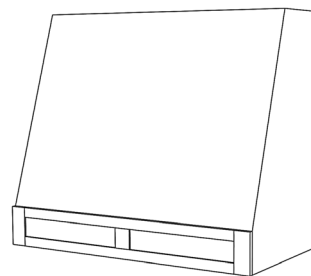
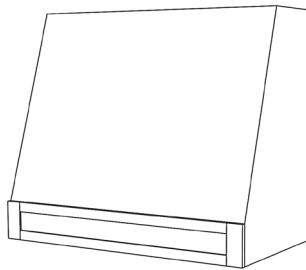
FX300BP -1

FX300BP -2

FX300BP -3

FX300BP

- FX300BP 30
- FX300BP 36
- FX300BP 42
- FX300BP 48
- FX300BP-H 54*
- FX300BP-H 60*



* Hoods over 48" wide will have horizontal grain on tapered front, sides, and base.

FX300UP

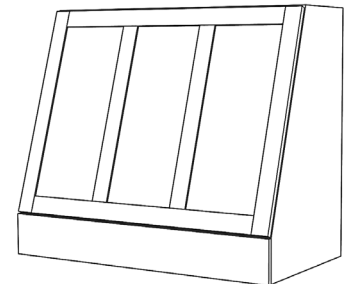
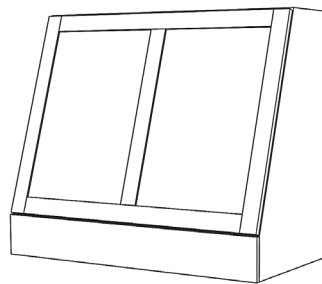
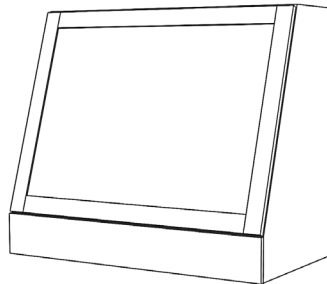
FX300UP -1 *

FX300UP -2 **

FX300UP -3

FX300UP

- FX300UP 30
- FX300UP 36
- FX300UP 42
- FX300UP 48
- FX300UP 54 **
- FX300UP 60 **



* In all sizes, 1 upper panel option requires Paint Grade.

** Hoods over 48" wide, 2 upper panel option requires Paint Grade .

Previously Named: FX

STANISCI
DESIGN™

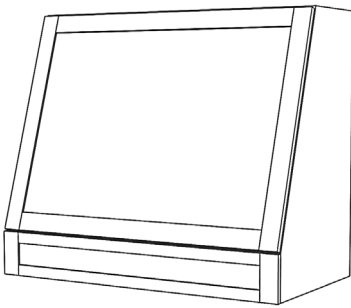
Foxcote - FX300 Series

In-Series

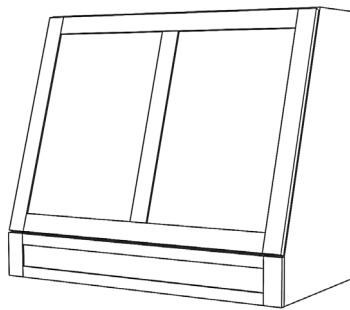
Standard Widths: 30, 36, 42, 48, 54, 60

Standard Heights: 24, 30, 36, 42, 48

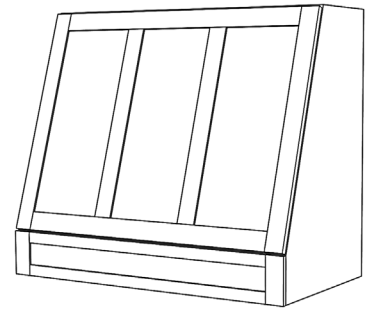
FX300BPUP 1-1*



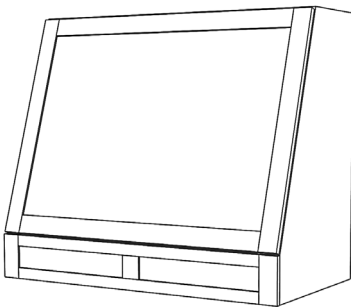
FX300BPUP 1-2**



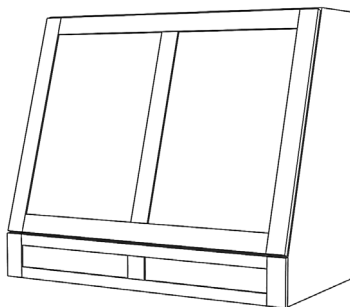
FX300BPUP 1-3



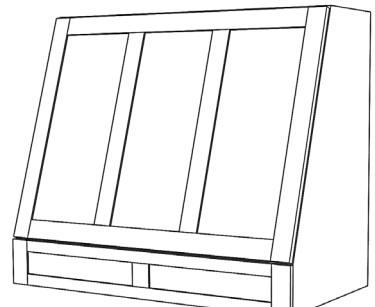
FX300BPUP 2-1*



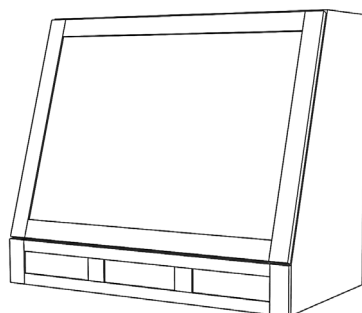
FX300BPUP 2-2**



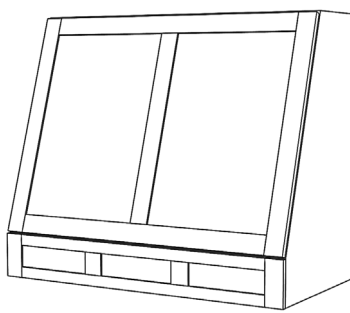
FX300BPUP 2-3



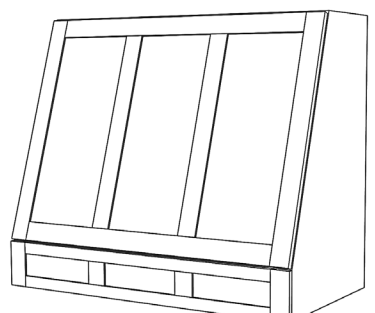
FX300BPUP 3-1*



FX300BPUP 3-2**



FX300BPUP 3-3

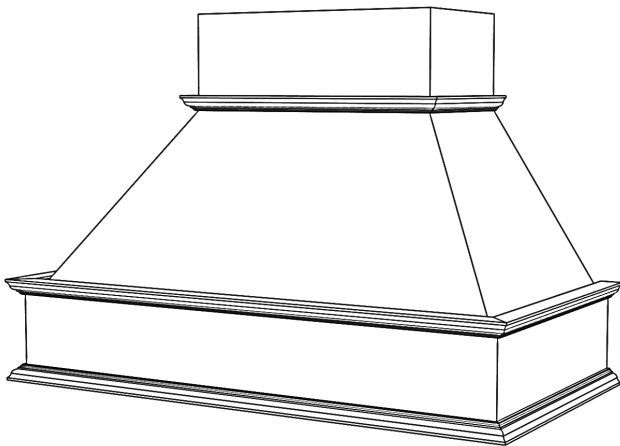


* In all sizes, 1 upper panel option requires Paint Grade.

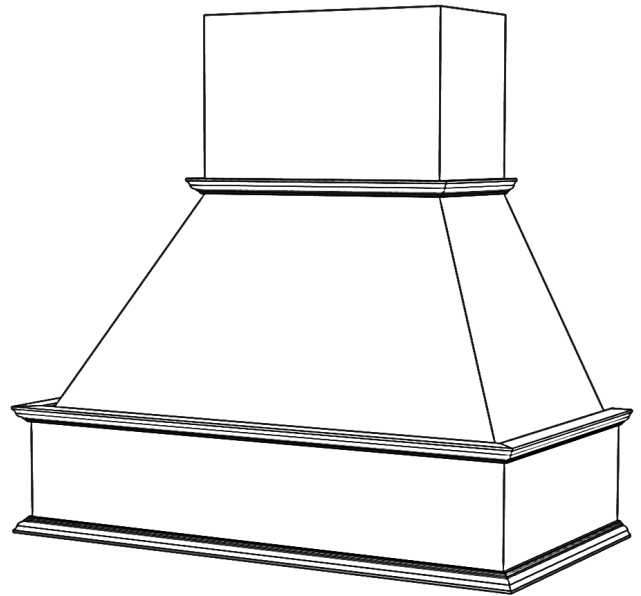
** Hoods over 48" wide, 2 upper panel option requires Paint Grade .

700 South Gaspie Street • Oxford, MI 48371 • (248) 572-6880 • email: sales@wood-hood.com • www.wood-hood.com

The G and GT Series hood are identical chimney style hoods however, the G Series is made for a shorter style hood while the GT Series is made for a taller style hood.

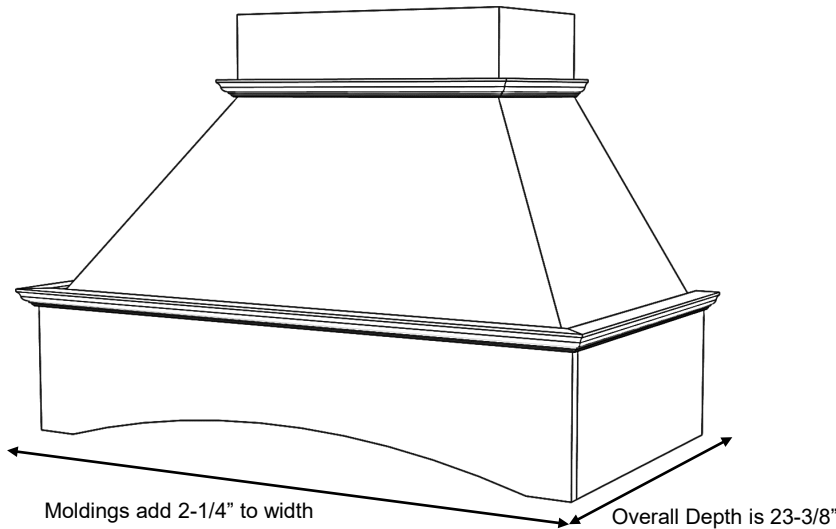


*G Series shown with Standard Base
36 x 30*

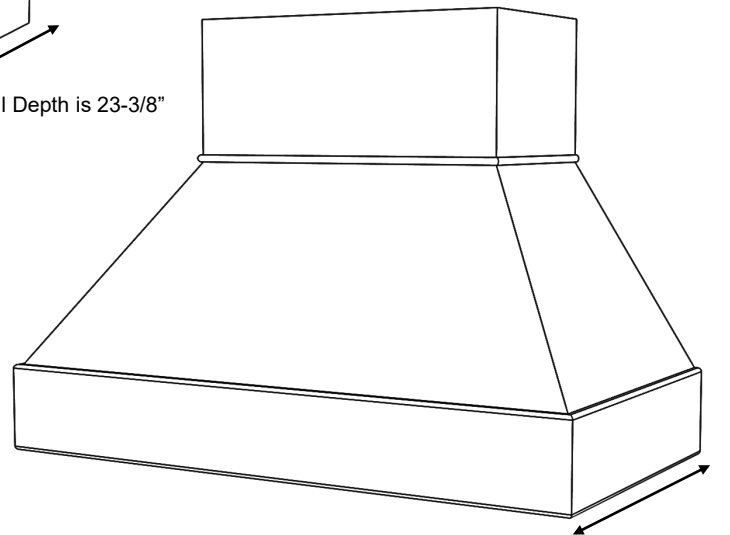


*GT Series shown with Standard Base
36 x 42*

(GT-Series was previously named T-Series)



*G Series shown with SL Base (GSL)
and #1 Classic moldings*



G Series shown with Hardwood Base (GHW)

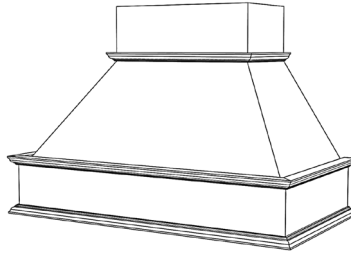
G Series

Standard Widths	36, 42, 48, 54, 60
Standard Heights	30 (Modified heights available) Chimney can be trimmed in the field
Removable Options	Removable Top (RT) – see modifications section. Applied Removable Panel (ARP) – see modifications section.
Ventilation	Hood will be same width as available vent width. Example: To use a 36" vent model, the hood should be a minimum of 36" wide
Available Moldings	#1 Classic, #2 Simple, #3 Basic
Grain Direction	Vertical (Base is horizontal)

Standard Height: 30

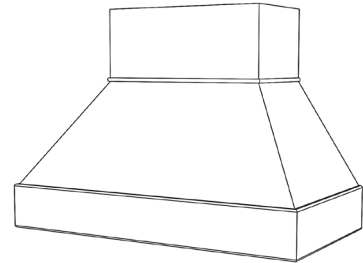
G- Standard Base

G 36
G 42
G 48
G 54
G 60



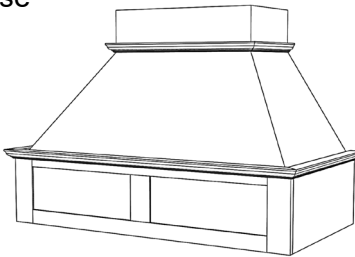
G- Hardwood Base

GHW 36
GHW 42
GHW 48
GHW 54
GHW 60



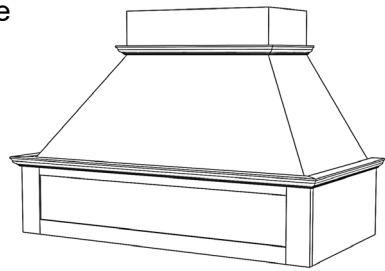
G- RS Base

GRS 36
GRS 42
GRS 48
GRS 54
GRS 60



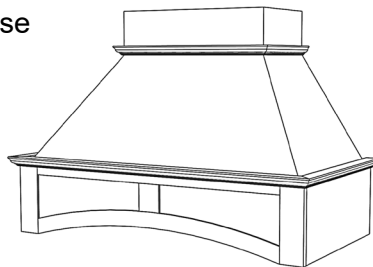
G- RSS Base

GRSS 36
GRSS 42
GRSS 48
GRSS 54
GRSS 60



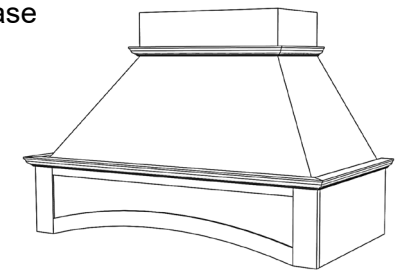
G- RA Base

GRA 36
GRA 42
GRA 48
GRA 54
GRA 60



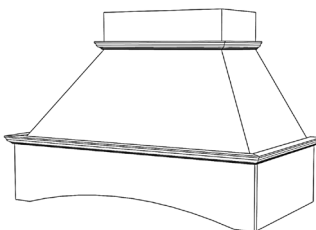
G- DP2 Base

GDP2 36
GDP2 42
GDP2 48
GDP2 54
GDP2 60



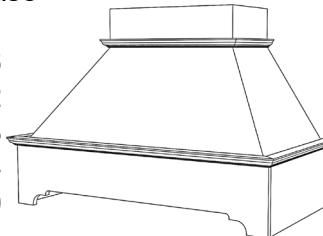
G- SL Base

GSL 36
GSL 42
GSL 48
GSL 54
GSL 60



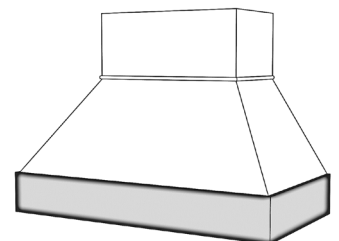
G- DP1 Base

GDP1 36
GDP1 42
GDP1 48
GDP1 54
GDP1 60



G- SS Base

GSS 36
GSS 42
GSS 48
GSS 54
GSS 60

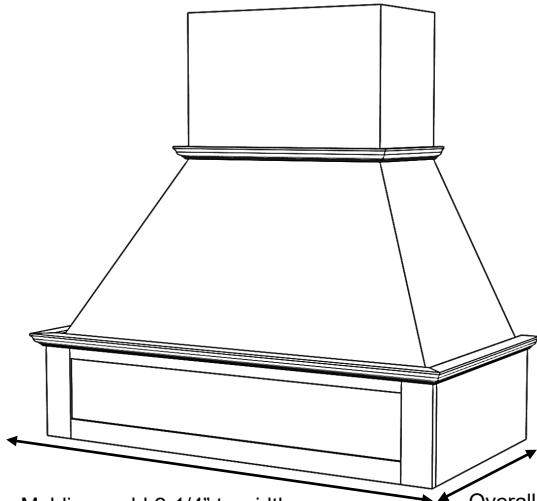


Previously Named: T

STANISCI DESIGN

Thompson - GT Series

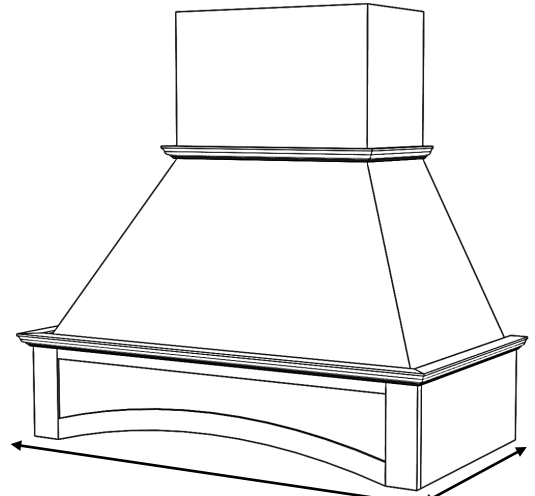
Free Standing



Moldings add 2-1/4" to width

Overall Depth is 23-3/8"

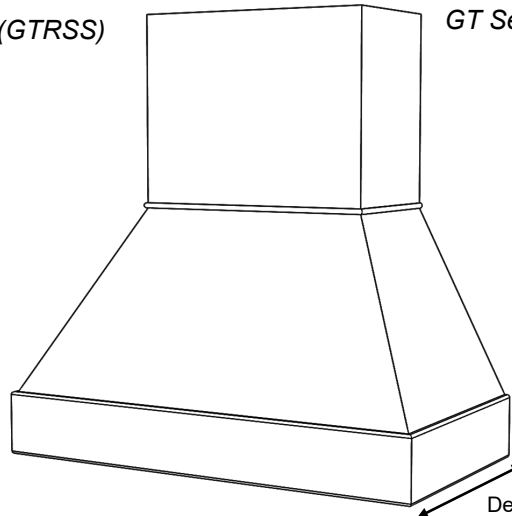
*GT Series shown with RSS Base (GTRSS)
and #1 Classic moldings*



Moldings add 2-1/4" to width

Overall Depth is 23-3/8"

*GT Series shown with DP2 Base (GTDP2)
and #1 Classic moldings*



Depth is 22-1/4"

GT Series shown with Hardwood Base (GTHW)

GT Series

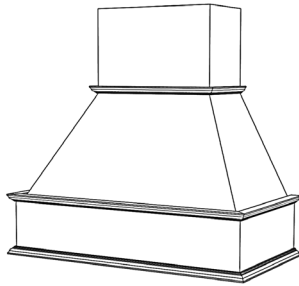
Standard Widths	36, 42, 48, 54, 60 (Reduced widths available)
Standard Heights	42" (Modified heights available) Chimney can be trimmed in the field
Removable Options	Removable Top (RT) – see modifications section. Applied Removable Panel (ARP) – see modifications section.
Ventilation	Hood will be same width as available vent width. Example: To use a 36" vent model, the hood should be a minimum of 36" wide
Available Moldings	#1 Classic, #2 Simple #3 Basic
Grain Direction	Vertical (Base is horizontal)

700 South Glaspie Street • Oxford, MI 48371 • (248) 572-6880 • email: sales@wood-hood.com • www.wood-hood.com

Standard Height: 42

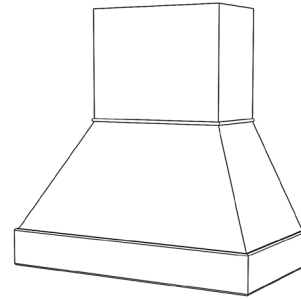
GT- Standard Base

- GT 36
- GT 42
- GT 48
- GT 54
- GT 60



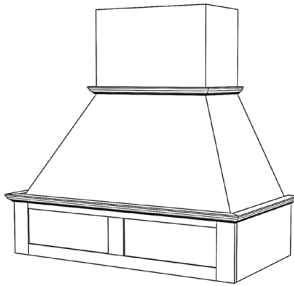
GT- Hardwood Base

- GTHW 36
- GTHW 42
- GTHW 48
- GTHW 54
- GTHW 60



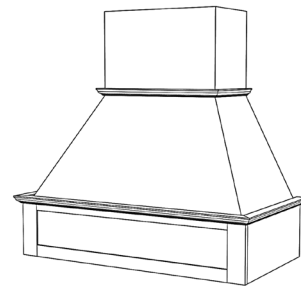
GT- RS Base

- GTRS 36
- GTRS 42
- GTRS 48
- GTRS 54
- GTRS 60



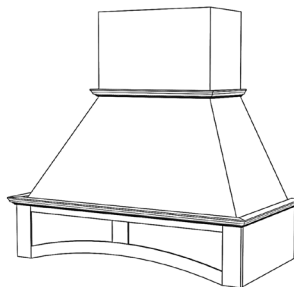
GT- RSS Base

- GTRSS 36
- GTRSS 42
- GTRSS 48
- GTRSS 54
- GTRSS 60



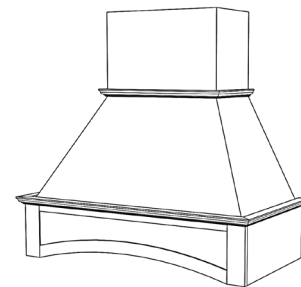
GT- RA Base

- GTRA 36
- GTRA 42
- GTRA 48
- GTRA 54
- GTRA 60



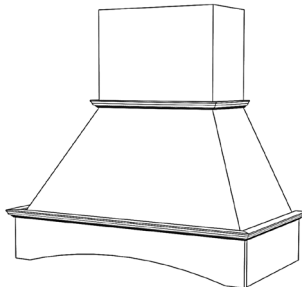
GT- DP2 Base

- GTDP2 36
- GTDP2 42
- GTDP2 48
- GTDP2 54
- GTDP2 60



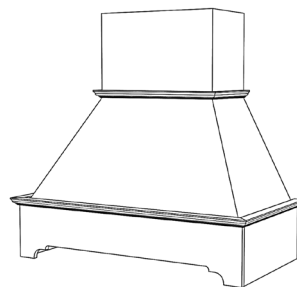
GT- SL Base

- GTSL 36
- GTSL 42
- GTSL 48
- GTSL 54
- GTSL 60



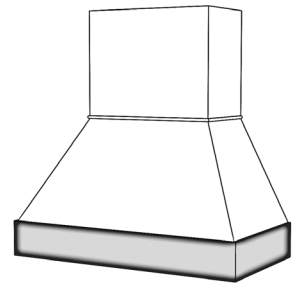
GT- DP1 Base

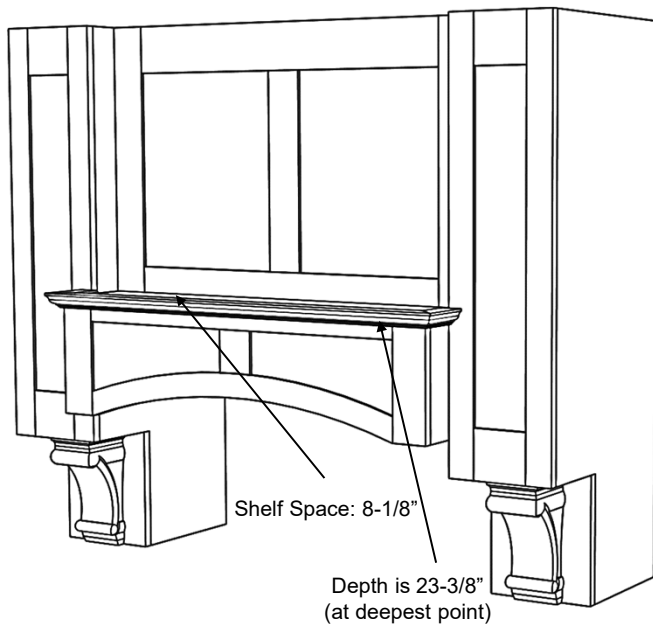
- GTDP1 36
- GTDP1 42
- GTDP1 48
- GTDP1 54
- GTDP1 60



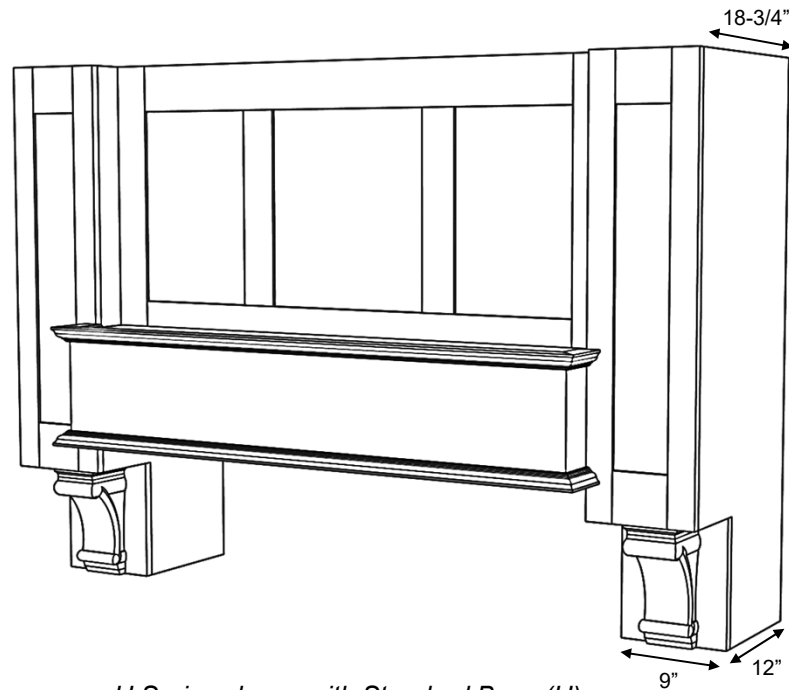
GT- SS Base

- GTSS 36
- GTSS 42
- GTSS 48
- GTSS 54
- GTSS 60





*H Series shown with RA Base (HRA)
#1 Classic molding, and optional corbels
(48" – 60" wide will have 2 center panels)*



*H Series shown with Standard Base (H)
#1 Classic molding, and optional corbels
(66" – 78" wide will have 3 center panels)*

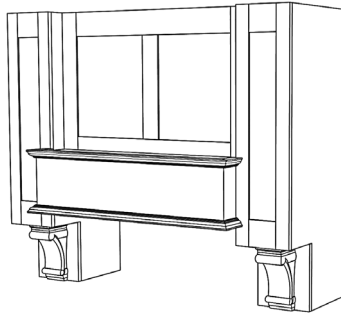
H Series

Standard Widths	48, 54, 60, 66, 72, 78 (Reduced widths available) To calculate minimum width, take range width plus 18". Example: A 36" range would get a 54" wide hood. (36 + 18 = 54)
Standard Heights	38, 44, 50, 56, 62 (Reduced heights available) To calculate height, take ceiling height minus 52". Example: A 96" ceiling would have a 44" tall hood. (96 - 52 = 44)
Removable Options	Removable Panel is standard (MRP) 2" fixed top rail available by request (MRP-2TR) – see modifications section.
Ventilation	Hood must be a minimum of 18" wider than available vent width. Example: To use a 36" vent model, the hood should be a minimum of 54" wide
Available Moldings	#1 Classic, #2 Simple, #3 Basic
Available Options	Corbels - All Stanisci corbel options will fit this design (See corbel options page)
Grain Direction	Vertical (Base is horizontal)

Standard Heights: 38, 44, 50, 56, 62

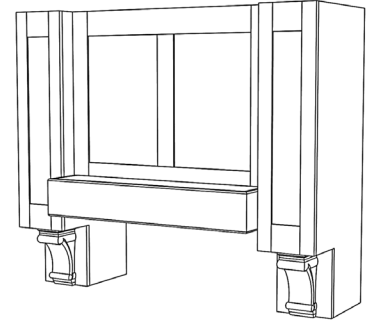
H- Standard Base

H 48
H 54
H 60
H 66*
H 72*
H 78*



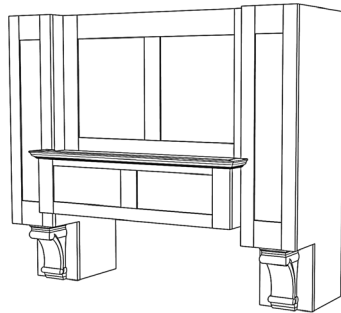
H- Hardwood Base

HHW 48
HHW 54
HHW 60
HHW 66*
HHW 72*
HHW 78*



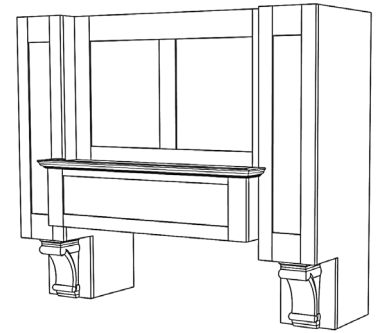
H- RS Base

HRS 48
HRS 54
HRS 60
HRS 66*
HRS 72*
HRS 78*



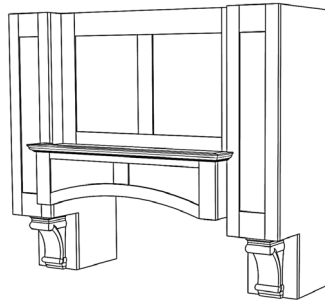
H- RSS Base

HRSS 48
HRSS 54
HRSS 60
HRSS 66*
HRSS 72*
HRSS 78*



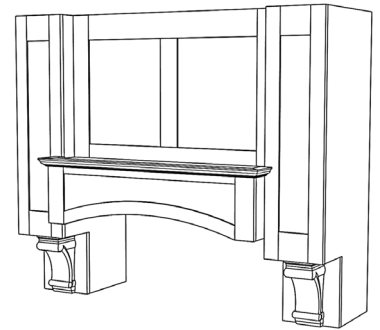
H- RA Base

HRA 48
HRA 54
HRA 60
HRA 66*
HRA 72*
HRA 78*



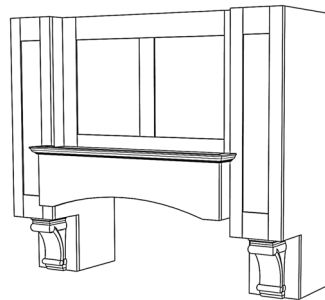
H- DP2 Base

HDP2 48
HDP2 54
HDP2 60
HDP2 66*
HDP2 72*
HDP2 78*



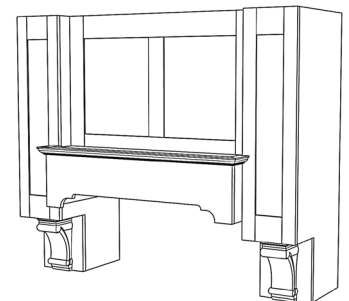
H- SL Base

HSL 48
HSL 54
HSL 60
HSL 66*
HSL 72*
HSL 78*

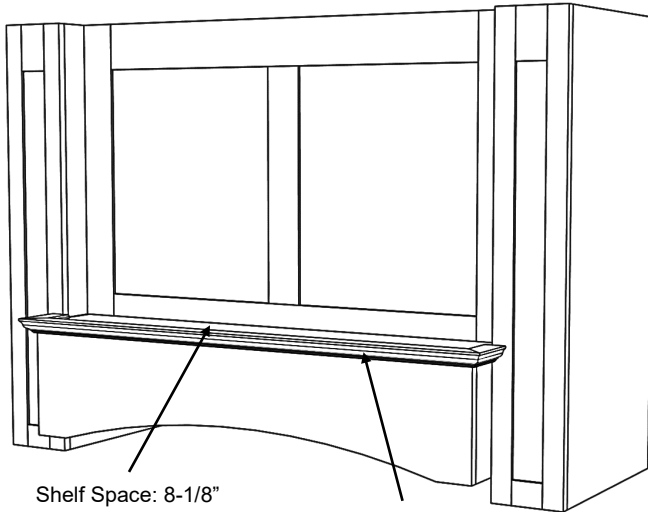


H- DP1 Base

HDP1 48
HDP1 54
HDP1 60
HDP1 66*
HDP1 72*
HDP1 78*



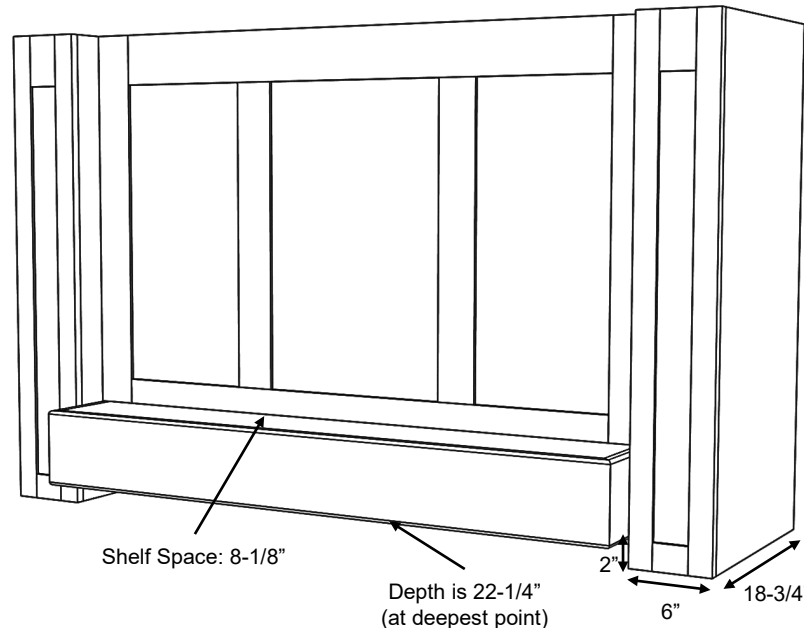
* Top center panel is three panels rather than two, due to width of hood.



Shelf Space: 8-1/8"

Depth is 23-3/8"
(at deepest point)

*H2 Series shown with SL Base (H2SL)
and #1 Classic molding
(42" – 54" wide will have 2 center panels)*



Shelf Space: 8-1/8"

Depth is 22-1/4"
(at deepest point)

2"
6"
18-3/4"

*H2 Series shown with Hardwood Base (H2HW)
(60" – 72" wide will have 3 center panels)*

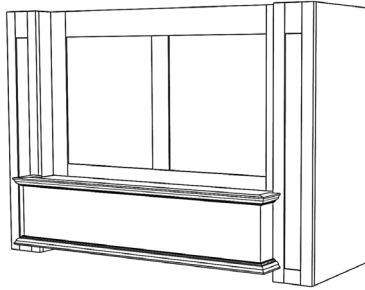
H2 Series

Standard Widths	42, 48, 54, 60, 66, 72 (Reduced widths available) To calculate minimum width, take range width plus 12". Example: A 36" range would get a 48" wide hood. (36 + 12 = 48)
Standard Heights	26, 32, 38, 44, 50 To calculate height, take ceiling height minus 64". Example: A 96" ceiling would have a 32" tall hood. (96 - 64 = 32)
Removable Options	Removable Panel is standard (MRP) 2" fixed top rail available by request (MRP-2TR) – see modifications section.
Standard Assumptions	Side columns will always have a flat panel
Ventilation	Hood must be a minimum of 12" wider than available vent width. Example: To use a 36" vent model, the hood should be a minimum of 48" wide
Available Moldings	#1 Classic, #2 Simple, #3 Basic
Grain Direction	Vertical (Base is horizontal)

Standard Heights: 26, 32, 38, 44, 50

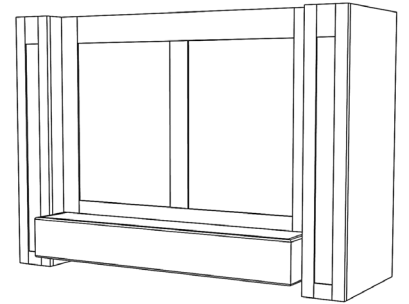
H2- Standard Base

H2 42
H2 48
H2 54
H2 60*
H2 66*
H2 72*



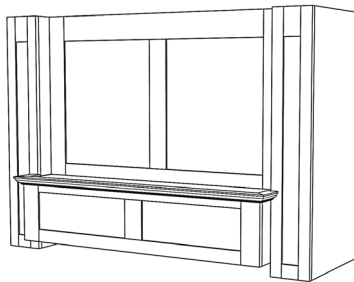
H2- Hardwood Base

H2HW 42
H2HW 48
H2HW 54
H2HW 60*
H2HW 66*
H2HW 72*



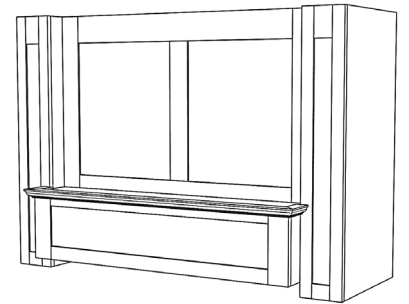
H2- RS Base

H2RS 42
H2RS 48
H2RS 54
H2RS 60*
H2RS 66*
H2RS 72*



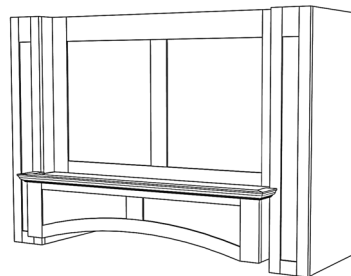
H2- RSS Base

H2RSS 42
H2RSS 48
H2RSS 54
H2RSS 60*
H2RSS 66*
H2RSS 72*



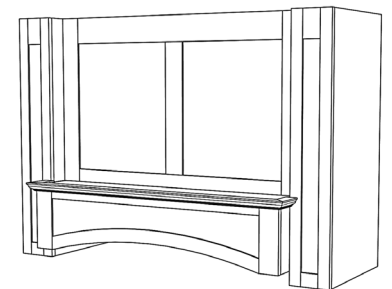
H2- RA Base

H2RA 42
H2RA 48
H2RA 54
H2RA 60*
H2RA 66*
H2RA 72*



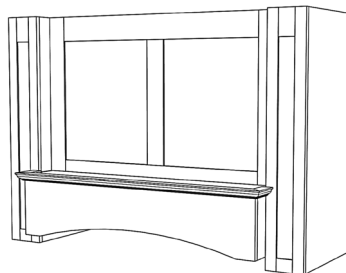
H2- DP2 Base

H2DP2 42
H2DP2 48
H2DP2 54
H2DP2 60*
H2DP2 66*
H2DP2 72*



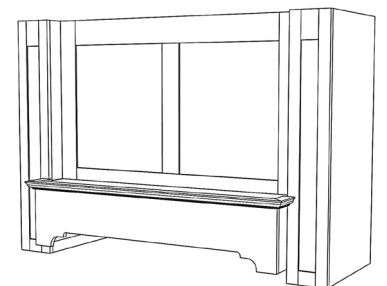
H2- SL Base

H2SL 42
H2SL 48
H2SL 54
H2SL 60*
H2SL 66*
H2SL 72*

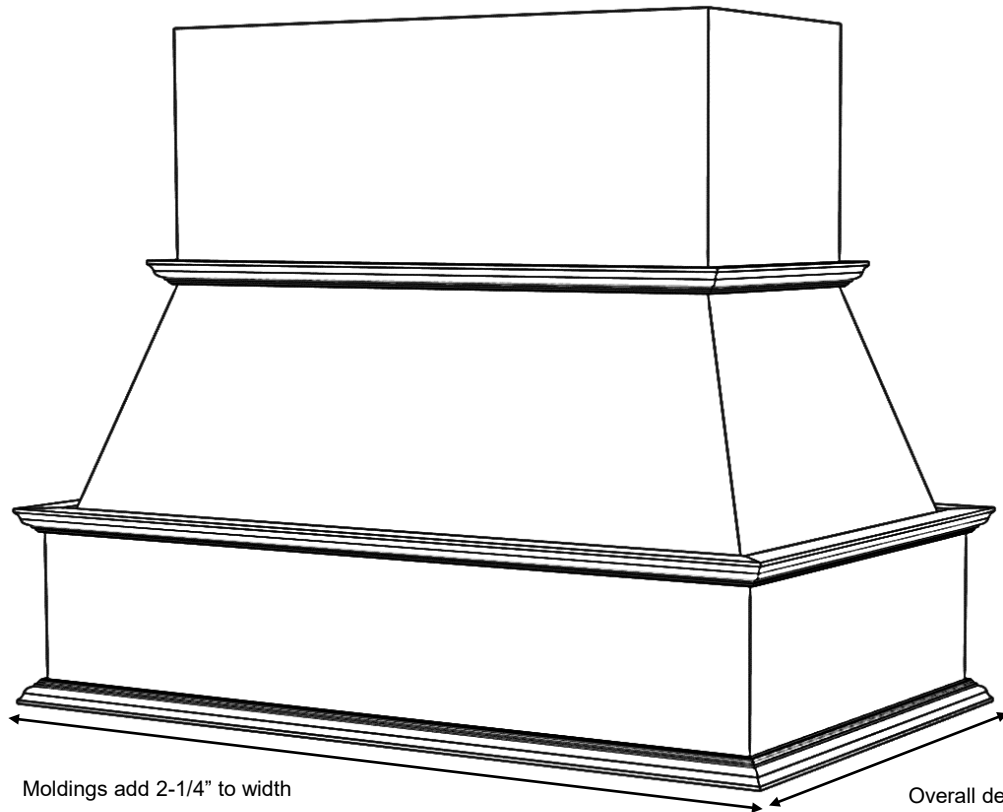


H2- DP1 Base

H2DP1 42
H2DP1 48
H2DP1 54
H2DP1 60*
H2DP1 66*
H2DP1 72*



* Top center panel is three panels rather than two, due to width of hood



Moldings add 2-1/4" to width

Overall depth is 26-3/8"

*I Series shown with Standard Base (1)
and #1 Classic moldings*

I Series

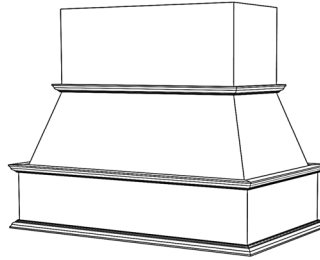
Standard Widths	36, 42, 48, 54, 60 (Reduced widths available) (Order 6" wider than cooking surface for best capture area)
Standard Heights	30, 36, 42, 48 (Reduced heights available) (Not able to be trimmed in the field)
Removable Options	Applied Removable Panel (ARP) – see modifications section.
Ventilator	Hood will be same width as available vent width. Example: To use a 36" vent model, the hood should be a minimum of 36" wide (PML – Pro Mesh Liner is the only available Stanisci vent unit for Island hood.)
Available Moldings	#1 Classic, #2 Simple, #3 Basic
Grain Direction	Vertical (Base is horizontal)

700 South Glaspie Street • Oxford, MI 48371 • (248) 572-6880 • email: sales@wood-hood.com • www.wood-hood.com

Standard Heights: 30, 36, 42, 48

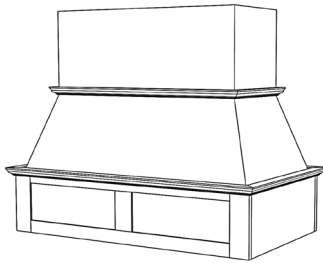
I- Standard Base

- | 36
- | 42
- | 48
- | 54
- | 60



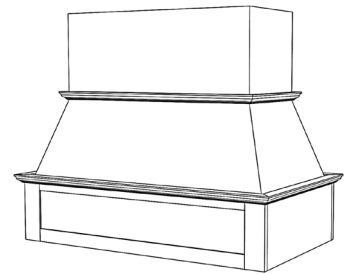
I- RS Base

- IRS 36
- IRS 42
- IRS 48
- IRS 54
- IRS 60



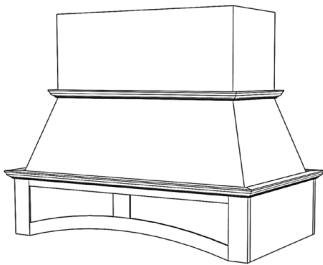
I- RSS Base

- IRSS 36
- IRSS 42
- IRSS 48
- IRSS 54
- IRSS 60



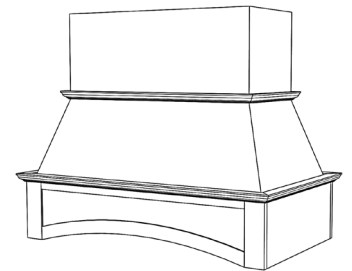
I- RA Base

- IRA 36
- IRA 42
- IRA 48
- IRA 54
- IRA 60



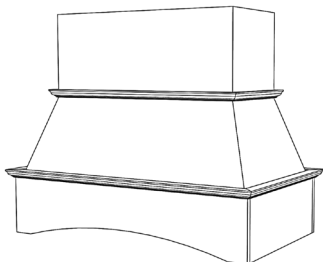
I- DP2 Base

- IDP2 36
- IDP2 42
- IDP2 48
- IDP2 54
- IDP2 60



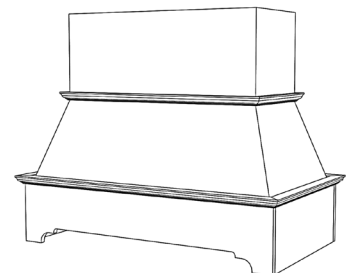
I- SL Base

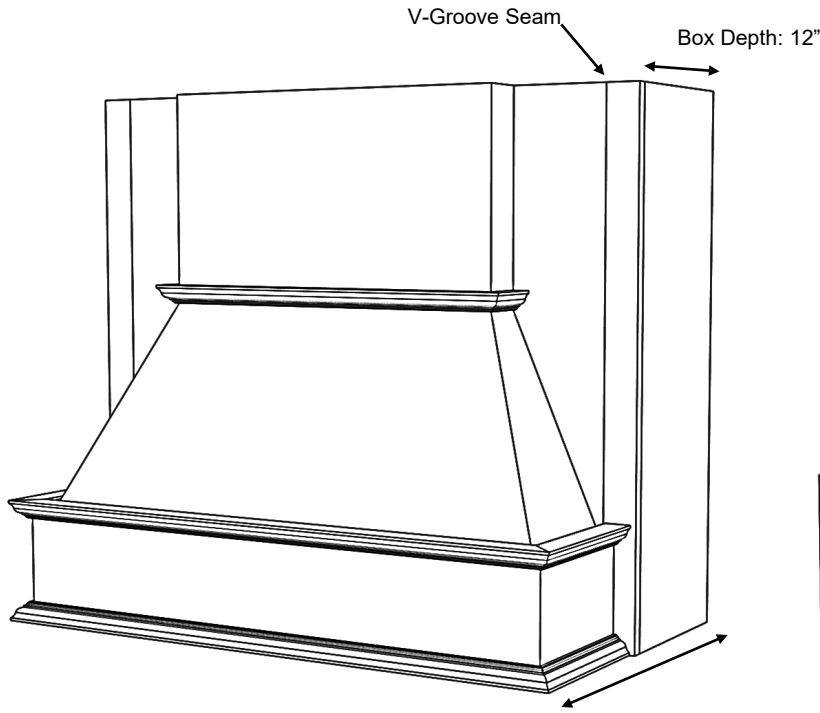
- ISL 36
- ISL 42
- ISL 48
- ISL 54
- ISL 60



I- DP1 Base

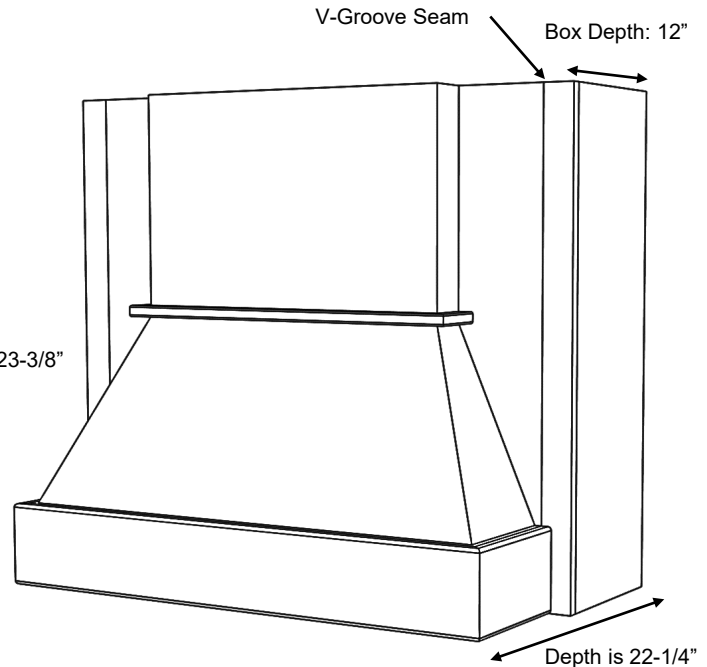
- IDP1 36
- IDP1 42
- IDP1 48
- IDP1 54
- IDP1 60





J Series shown with Standard Base (J) and #1 Classic moldings

Overall Depth is 23-3/8"



J Series shown with Hardwood Base (JHW)

Depth is 22-1/4"

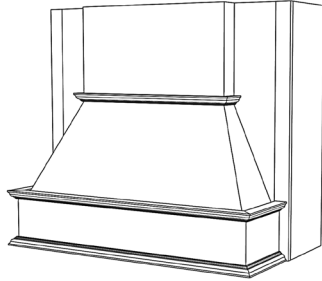
J Series

Standard Widths	33, 36, 39, 42, 45, 48, 51, 54, 57, 60, 63 (Reduced widths available)
Standard Heights	30, 36, 42, 48 (Reduced heights available)
Removable Options	Removable Front (RF) – Rear Box will be 14" – see modifications section. Applied Removable Panel (ARP) – see modifications section.
Available Options	12" Rear Box can be modified by request.
Ventilation	Hood must be a minimum of 3" wider than available vent width. Example: To use a 36" vent model, the hood should be a minimum of 39" wide
Available Moldings	#1 Classic, #2 Simple, #3 Basic
Grain Direction	Vertical (Base is horizontal)

Standard Heights: 30, 36, 42, 48

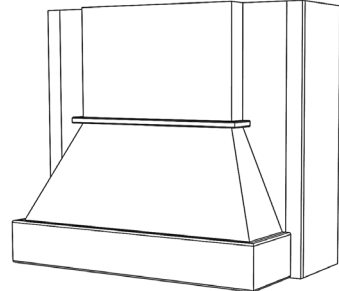
J- Standard Base

J 33
J 36
J 39
J 42
J 45
J 48
J 51
J 54
J 57
J 60
J 63



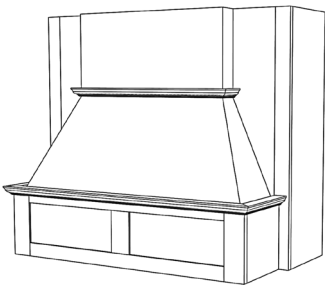
J- Hardwood Base

JHW 33
JHW 36
JHW 39
JHW 42
JHW 45
JHW 48
JHW 51
JHW 54
JHW 57
JHW 60
JHW 63



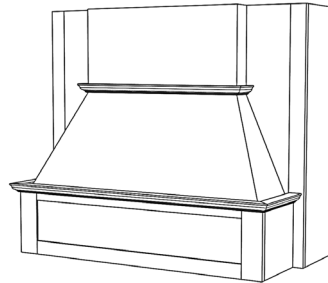
J- RS Base

JRS 33
JRS 36
JRS 39
JRS 42
JRS 45
JRS 48
JRS 51
JRS 54
JRS 57
JRS 60
JRS 63



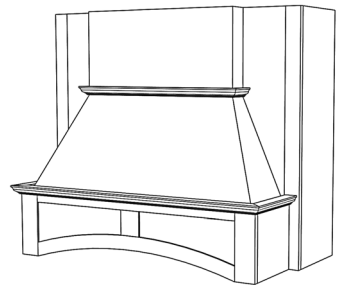
J- RSS Base

JRSS 33
JRSS 36
JRSS 39
JRSS 42
JRSS 45
JRSS 48
JRSS 51
JRSS 54
JRSS 57
JRSS 60
JRSS 63



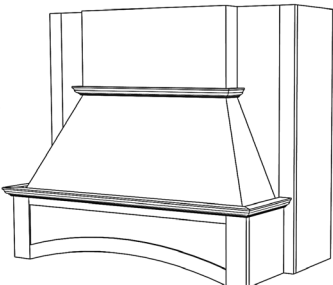
J- RA Base

JRA 33
JRA 36
JRA 39
JRA 42
JRA 45
JRA 48
JRA 51
JRA 54
JRA 57
JRA 60
JRA 63



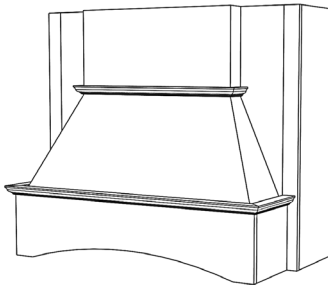
J- DP2 Base

JDP2 33
JDP2 36
JDP2 39
JDP2 42
JDP2 45
JDP2 48
JDP2 51
JDP2 54
JDP2 57
JDP2 60
JDP2 63



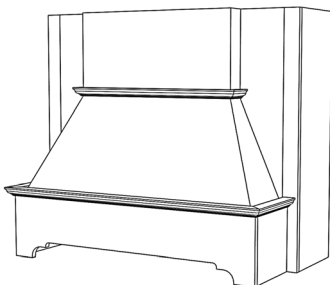
J- SL Base

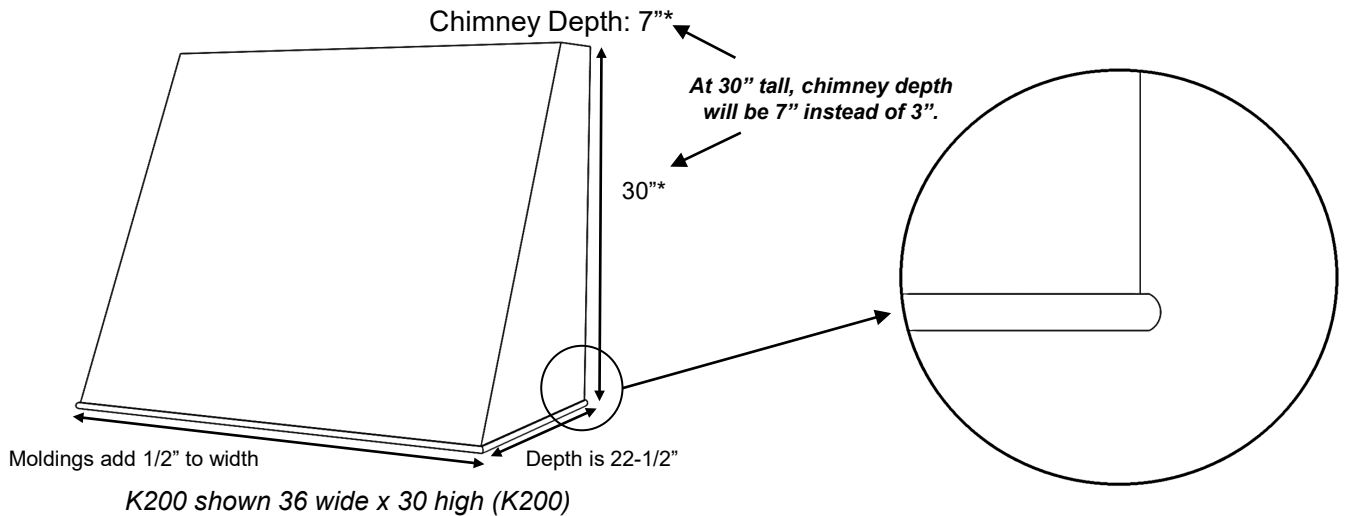
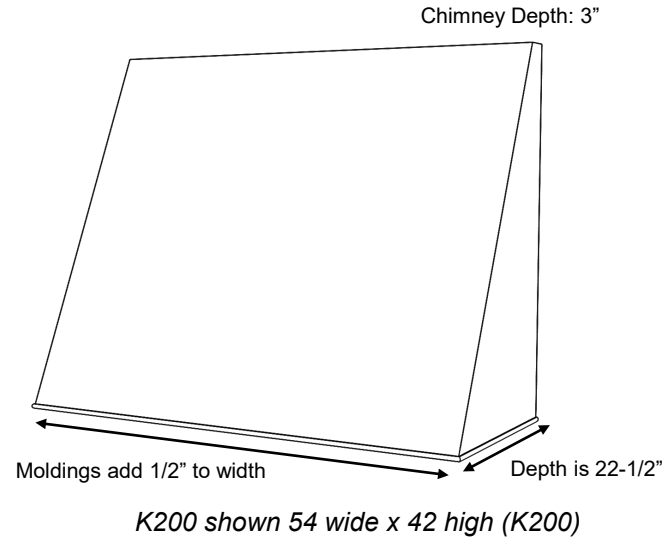
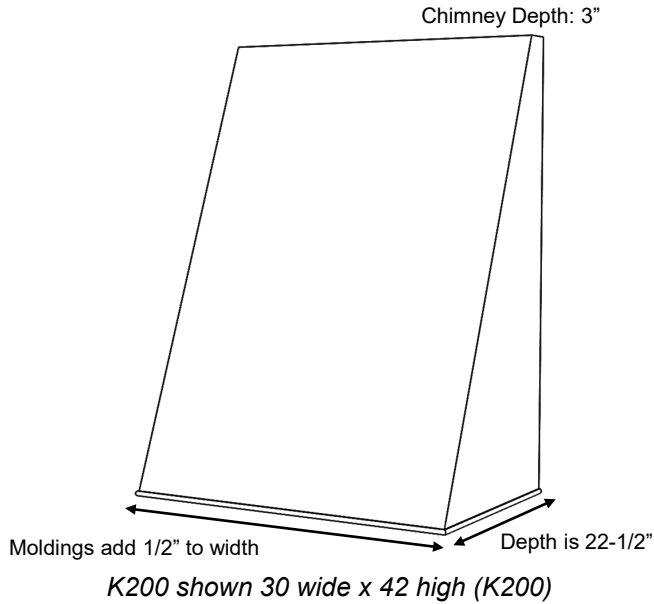
JSL 33
JSL 36
JSL 39
JSL 42
JSL 45
JSL 48
JSL 51
JSL 54
JSL 57
JSL 60
JSL 63



J- DP1 Base

JDP1 33
JDP1 36
JDP1 39
JDP1 42
JDP1 45
JDP1 48
JDP1 51
JDP1 54
JDP1 57
JDP1 60
JDP1 63





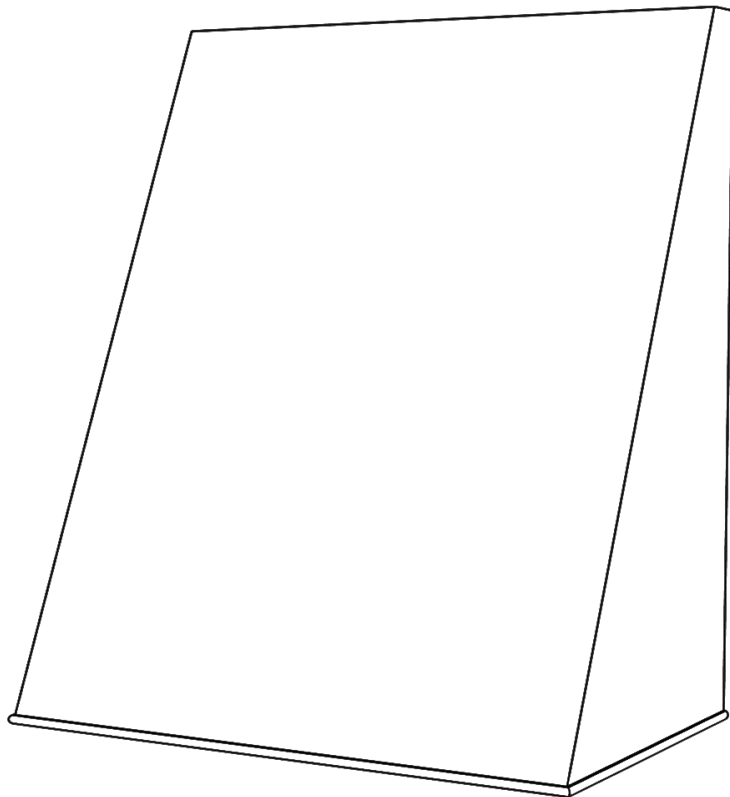
K200 Series

Standard Widths	30, 36, 42, 48, 54, 60 (Reduced widths available)
Standard Heights	30, 36, 42, 48, 54, 60 (Reduced heights available)
Removeable Options	Not available
Ventilation	Hood will be same width as available vent width. Example: To use a 36" vent model, the hood should be a minimum of 36" wide (PML- Special Depth 18-1/8" Pro Mesh Liner is only available Stanisci vent unit) Ventilation must be ducted out of the rear of the hood.
Grain Direction	Vertical Hoods over 48" wide will have horizontal grain

Standard Heights: 30**, 36, 42, 48, 54, 60

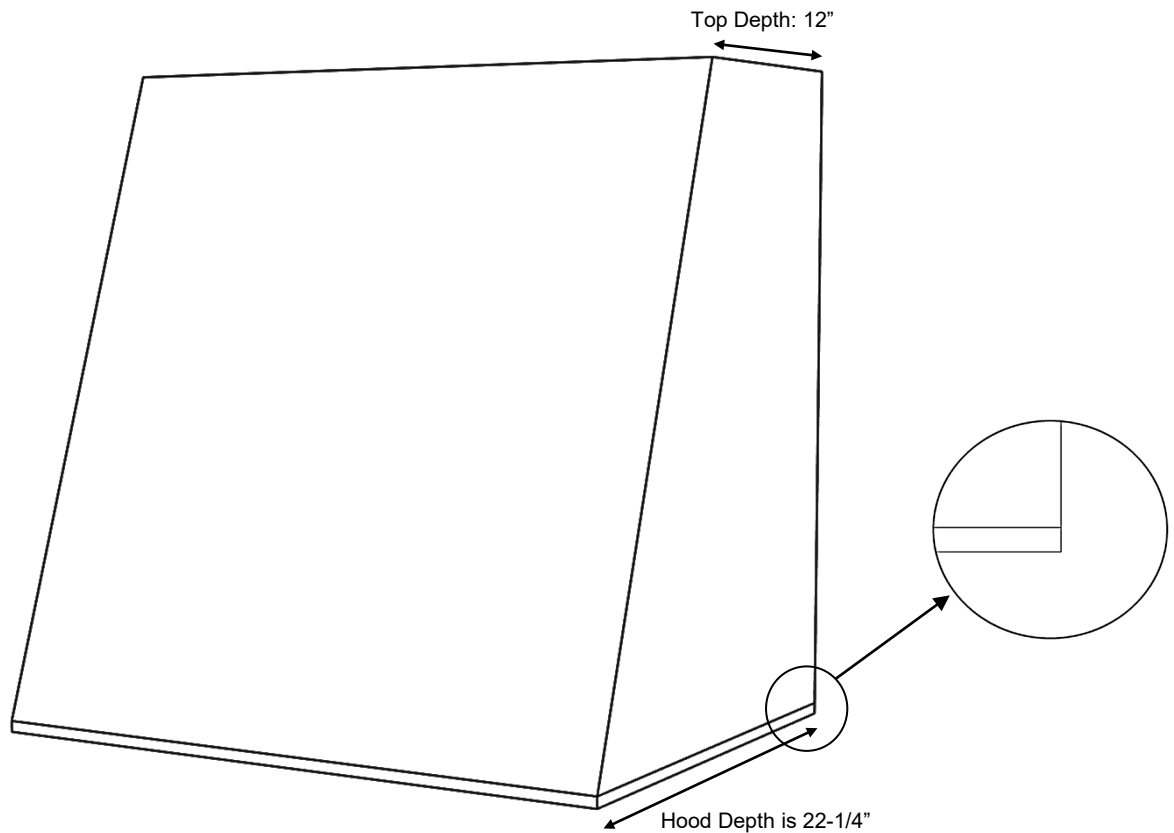
K200

K200	30
K200	36
K200	42
K200	48
K200H	54*
K200H	60*



* Hoods over 48" wide have a maximum height of 42" and will have horizontal grain.

** At 30" tall, the top depth will be 7" instead of 3".



K300 Series Hood (K300)

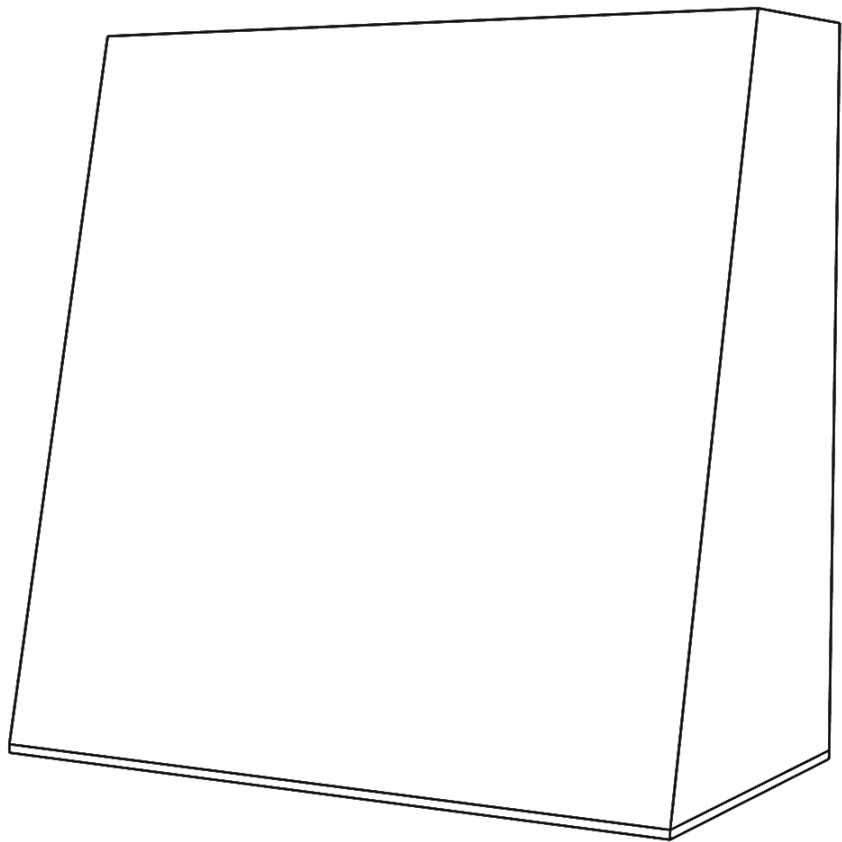
K300 Series

Standard Widths	30, 36, 42, 48, 54, 60 (Reduced widths available)
Standard Heights	30, 36, 42, 48, 54, 60 (Reduced heights available)
Removeable Options	Not available
Ventilation	Hood will be same width as available vent width. Example: To use a 36" vent model, the hood should be a minimum of 36" wide. (PML – Special Depth 18-1/8" Pro Mesh Liner is only available Stanisci vent unit)
Grain Direction	<ul style="list-style-type: none"> Vertical Hoods over 48" wide will have horizontal grain

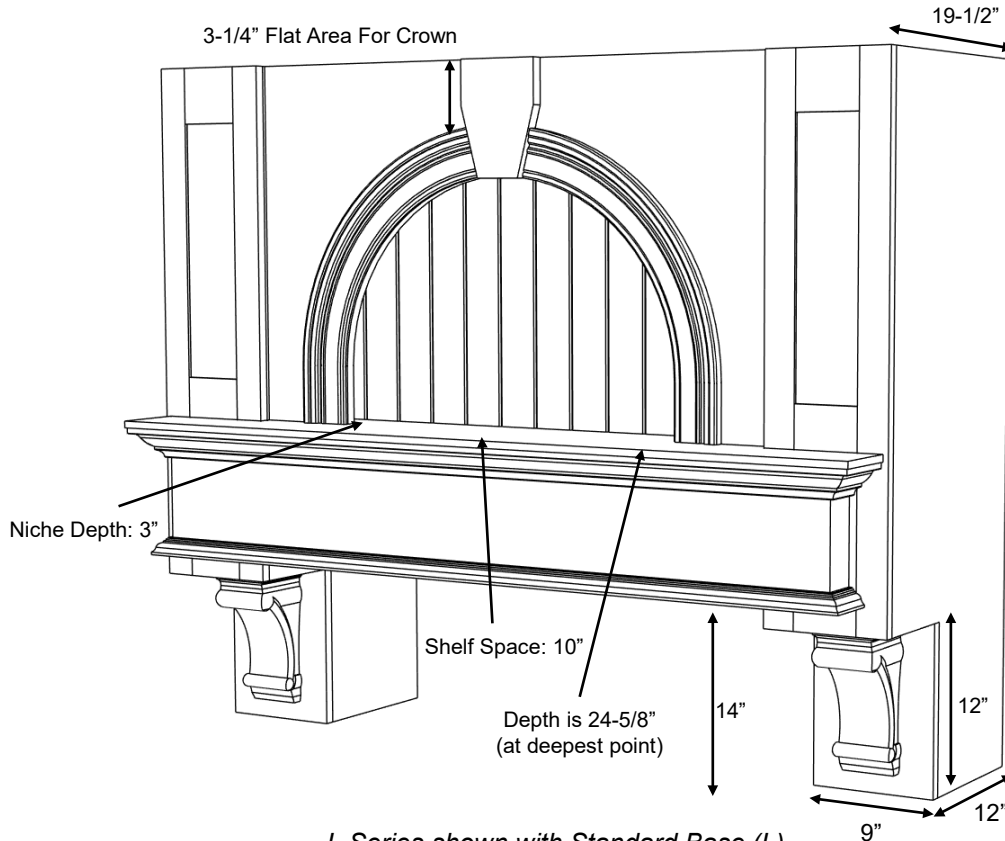
Standard Heights: 30, 36, 42, 48, 54, 60

K300

K300	30
K300	36
K300	42
K300	48
K300H	54*
K300H	60*



* Hoods over 48" wide have a maximum height of 42" and will have horizontal grain.



L Series shown with Standard Base (L),
#1 Classic moldings and optional Corbels

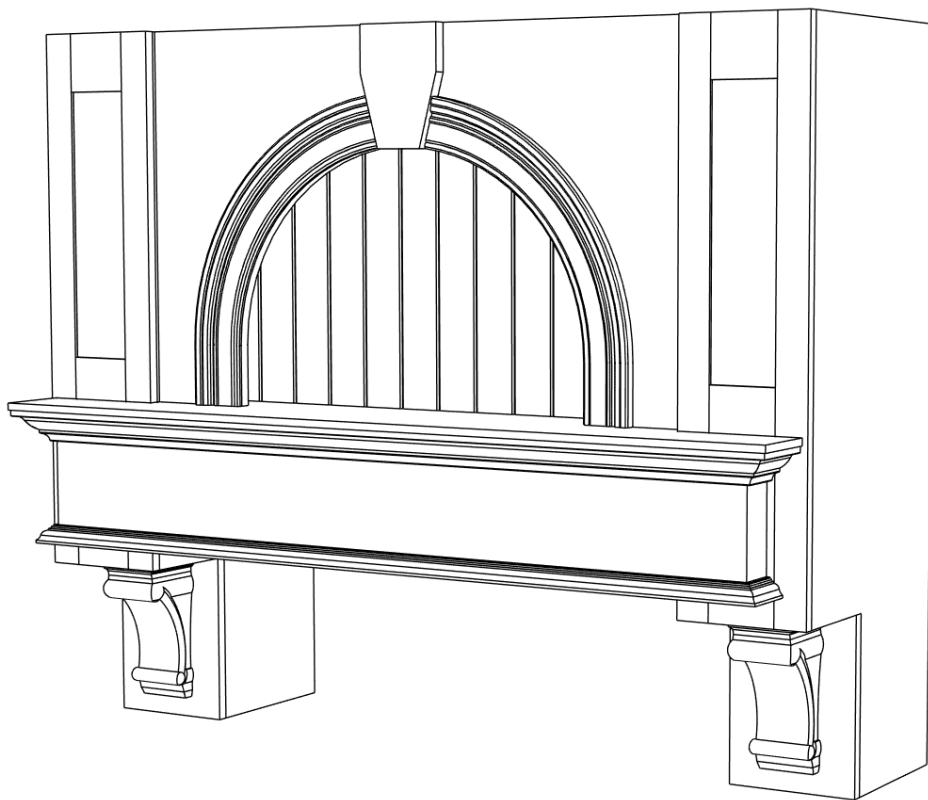
L Series

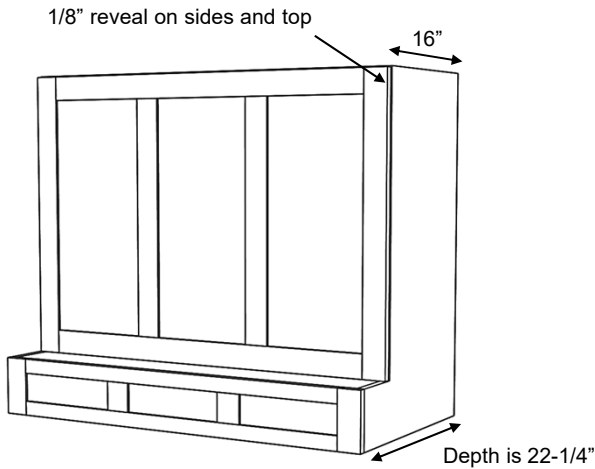
Standard Widths	48, 54, 60, 66, 72, 78 (Reduced widths available) To calculate minimum width, take range width plus 18". Example: A 36" range would get a 54" wide hood. (36 + 18 = 54)
Standard Heights	44, 50, 56, 62 (Reduced heights available) To calculate height, take ceiling height minus 52". Example: A 96" ceiling would have a 44" tall hood. (96 - 52 = 44)
Removable Options	Removable Panel is standard (Two seams in beading to allow for access) Non-bead panel by request – will not be removable (NBNA) - see modifications section.
Available Options	Corbels (All Stanisci corbels will fit this design)
Ventilation	Hood must be a minimum of 18" wider than available vent width. Example: To use a 36" vent model, the hood should be a minimum of 54" wide.
Available Moldings	#1 Classic, #2 Simple
Grain Direction	Vertical (Base is horizontal)

Standard Heights: 44, 50, 56, 62

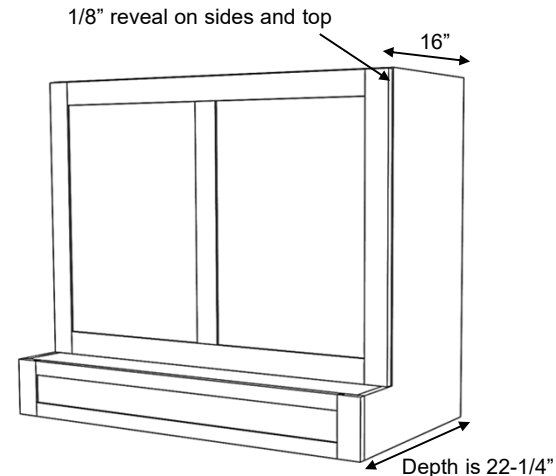
L- Standard Base

- L 48
- L 54
- L 60
- L 66
- L 72
- L 78

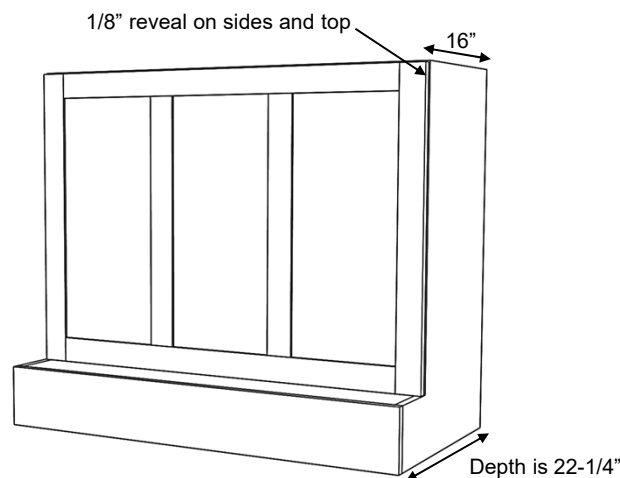




*L2 Series shown with 3 Upper Door Panels
and 3 Base Door Panels (L2BPUP 3-3)*



*L2 Series shown with 2 Upper Door Panels
and 1 Base Door Panel (L2BPUP 1-2)*



*L2 Series shown with 3 Upper Door Panels
And Hardwood Slab (L2UP -3)*

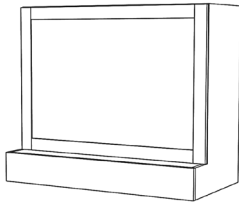
L2 Series

Standard Widths	30, 36, 42, 48, 54, 60 (Reduced widths available)
Standard Heights	24, 30, 36, 42, 48 (Reduced heights available)
Removable Options	Removable Panel - Standard
Available Options	Applied Molding Wrap (See options page) Applied Hardwood Wrap (See options page)
Standard Assumptions	Base door panels must be flat
Ventilation	Hood will be same width as available vent width. Example: To use a 36" vent model, the hood should be a minimum of 36" wide
Grain Direction	Vertical (Base is horizontal)

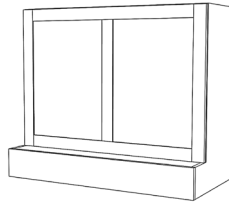
Standard Widths: 30, 36, 42, 48, 54, 60

Standard Heights: 24, 30, 36, 42, 48

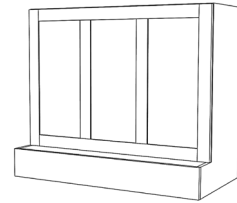
L2UP 1*



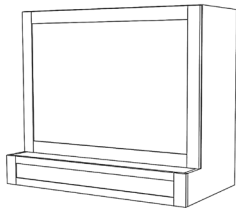
L2UP 2**



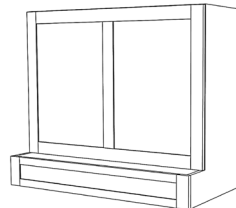
L2UP 3



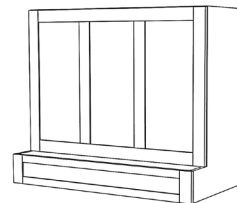
L2BPUP 1-1*



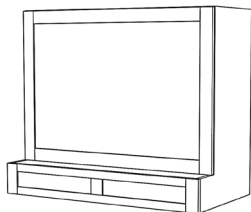
L2BPUP 1-2**



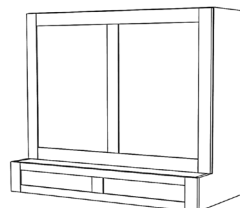
L2BPUP 1-3



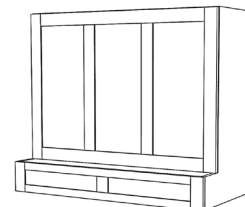
L2BPUP 2-1*



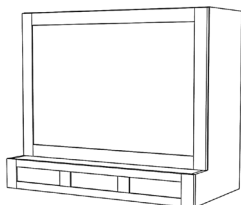
L2BPUP 2-2**



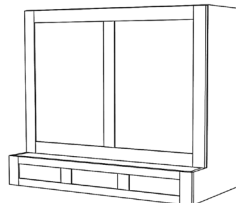
L2BPUP 2-3



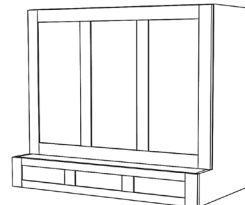
L2BPUP 3-1*



L2BPUP 3-2**

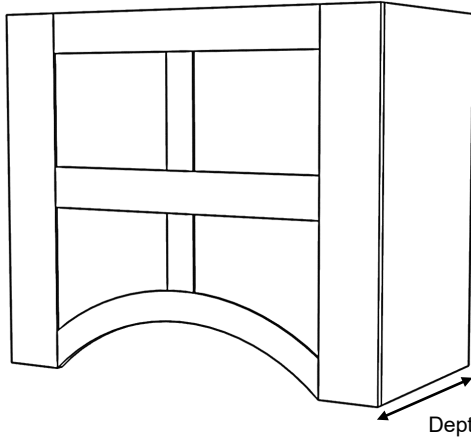


L2BPUP 3-3

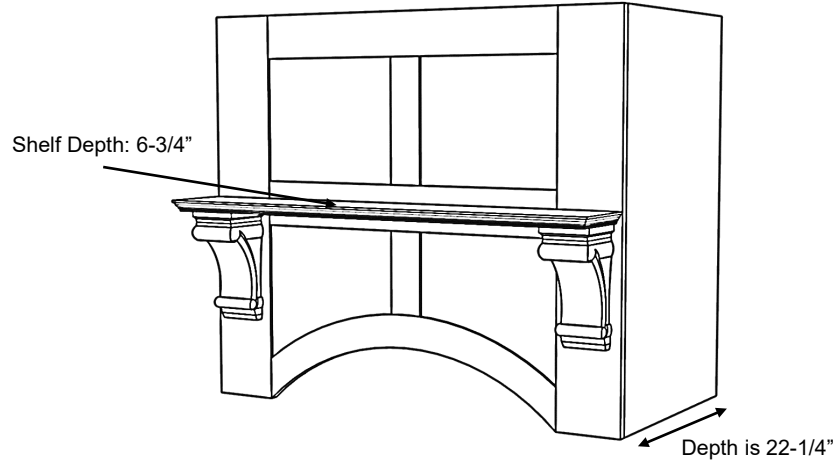


* In all sizes, 1 upper door panel option requires Paint Grade.

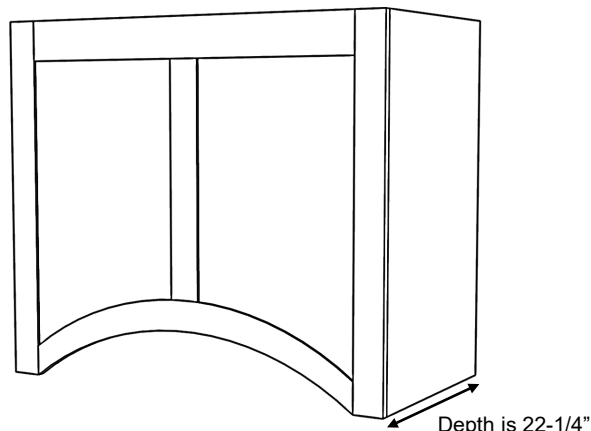
** Hoods over 48" wide, 2 upper door panel option requires Paint Grade.



M Series shown with no shelf (M)



MS Series shown with optional corbels (MS)



MDP Series (MDP)

M Series

Standard Widths	30, 36, 42, 48, 54, 60 (Reduced widths available)
Standard Heights	24, 30, 36, 42, 48 (Reduced heights available)
Removable Options	Removable Panel – Standard on MS style only (MRP) 2" fixed top rail available by request (MRP-2TR) –See modifications section.
Available Options	Decorative shelf is the default shelf style Basic shelf style is available upon request Corbels – All Stanisci corbel options will fit this design (See corbel options page)
Ventilation	Hood will be same width as available vent width. Example: To use a 36" vent model, the hood should be a minimum of 36" wide
Grain Direction	Vertical

Standard Heights: 24, 30, 36, 42, 48



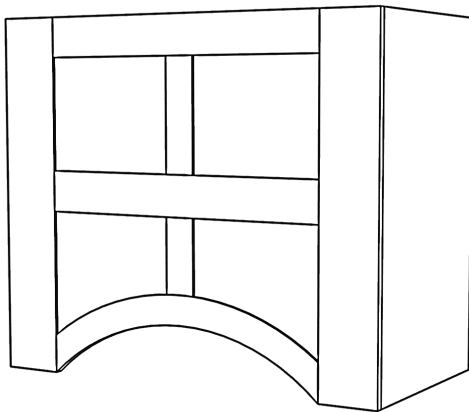
Decorative Shelf- Standard



Basic Shelf- Optional

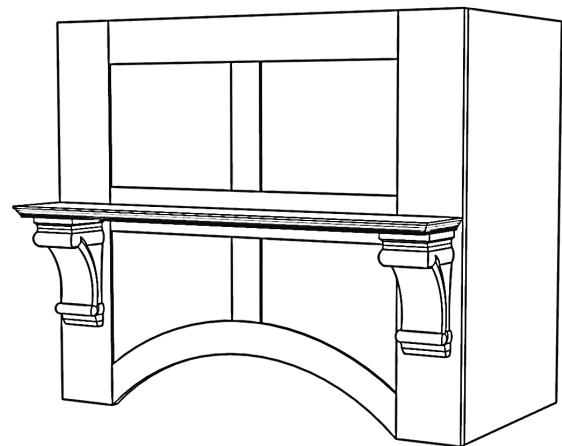
M- 4 Panels Without Shelf

- M 30
- M 36
- M 42
- M 48
- M 54
- M 60



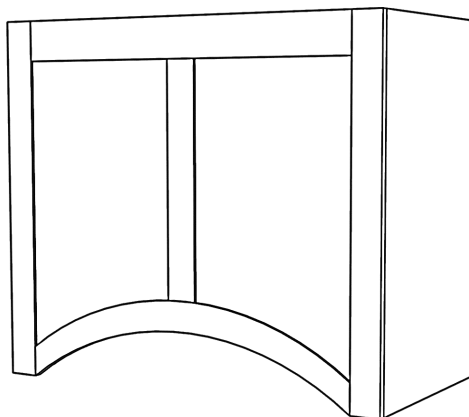
MS- 4 Panels With Shelf

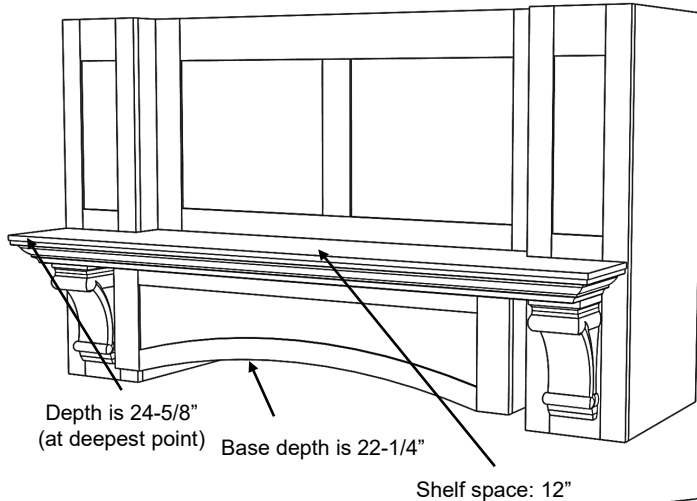
- MS 30
- MS 36
- MS 42
- MS 48
- MS 54
- MS 60



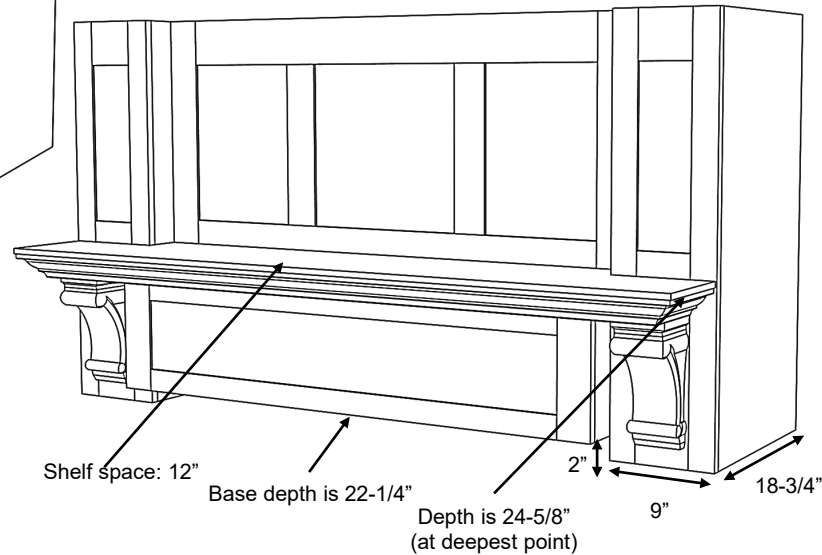
MDP- Two Panels

- MDP 30
- MDP 36
- MDP 42
- MDP 48
- MDP 54
- MDP 60





*N Series shown with DP2 Base (NDP2),
#1 Classic molding and optional corbels
(48" – 60" wide will have 2 center panels)*



*N Series shown with RSS Base (NRSS),
#1 Classic molding and optional corbels
(66" – 78" wide will have 3 center panels)*

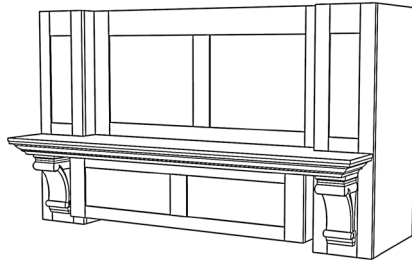
N Series

Standard Widths	48, 54, 60, 66, 72, 78 (Reduced widths available) To calculate minimum width, take range width plus 18". Example: A 36" range would get a 54" wide hood. (36 + 18 = 54)
Standard Heights	26, 32, 38, 44, 50 (Reduced heights available) To calculate height, take ceiling height minus 64". Example: A 96" ceiling would have a 32" tall hood. (96 - 64 = 32)
Removable Options	Removable Panel is standard (MRP) 2" fixed top rail available by request (MRP-2TR) – see modifications section.
Ventilation	Hood must be a minimum of 18" wider than available vent width. Example: To use a 36" vent model, the hood should be a minimum of 54" wide
Available Moldings	#1 Classic, #2 Simple
Available Options	Corbels - All Stanisci corbel options will fit this design (See corbel options page)
Grain Direction	Vertical (Base is horizontal)

Standard Heights: 26, 32, 38, 44, 50

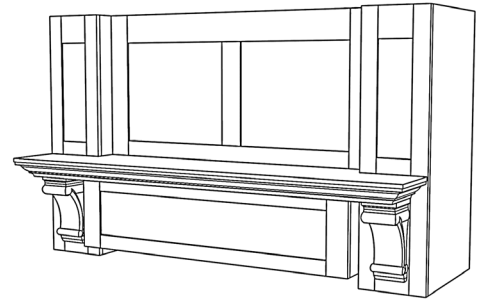
N- RS Base

NRS 48
NRS 54
NRS 60
NRS 66*
NRS 72*
NRS 78*



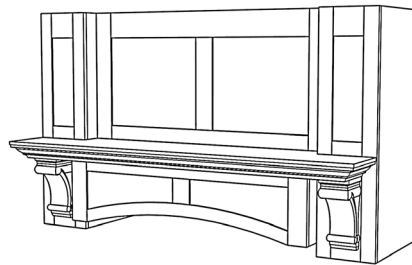
N- RSS Base

NRSS 48
NRSS 54
NRSS 60
NRSS 66*
NRSS 72*
NRSS 78*



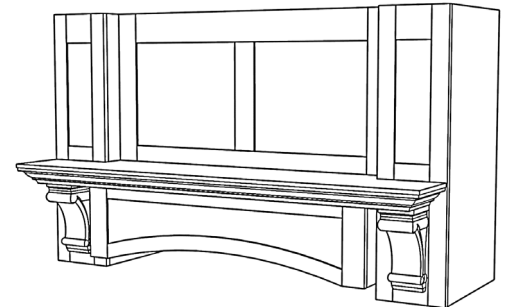
N- RA Base

NRA 48
NRA 54
NRA 60
NRA 66*
NRA 72*
NRA 78*



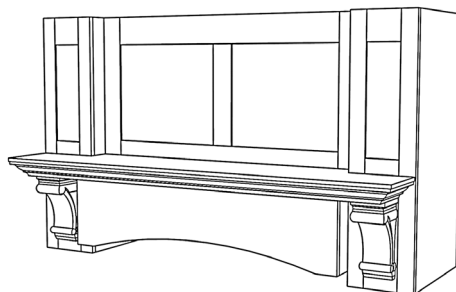
N- DP2 Base

NDP2 48
NDP2 54
NDP2 60
NDP2 66*
NDP2 72*
NDP2 78*



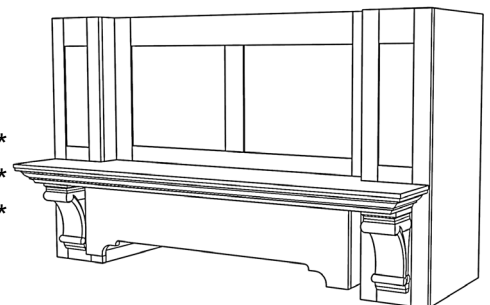
N- SL Base

NSL 48
NSL 54
NSL 60
NSL 66*
NSL 72*
NSL 78*

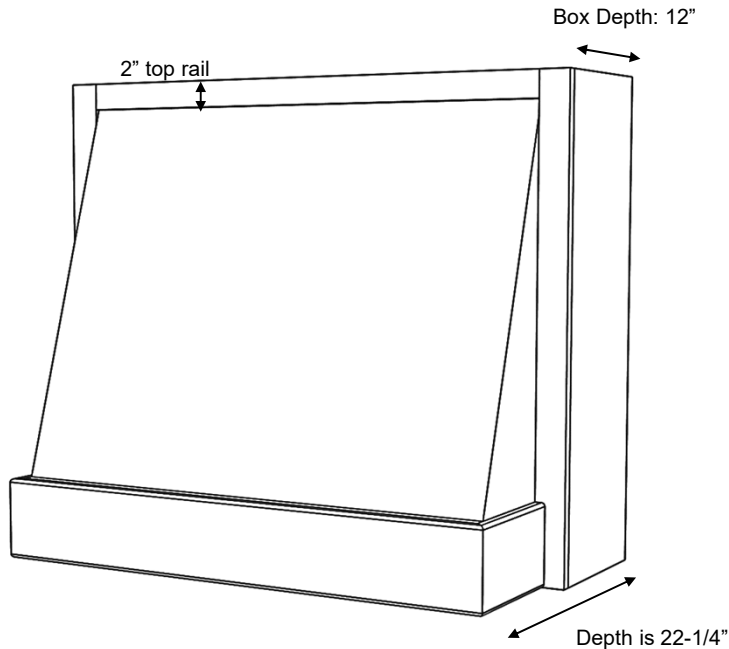


N- DP1 Base

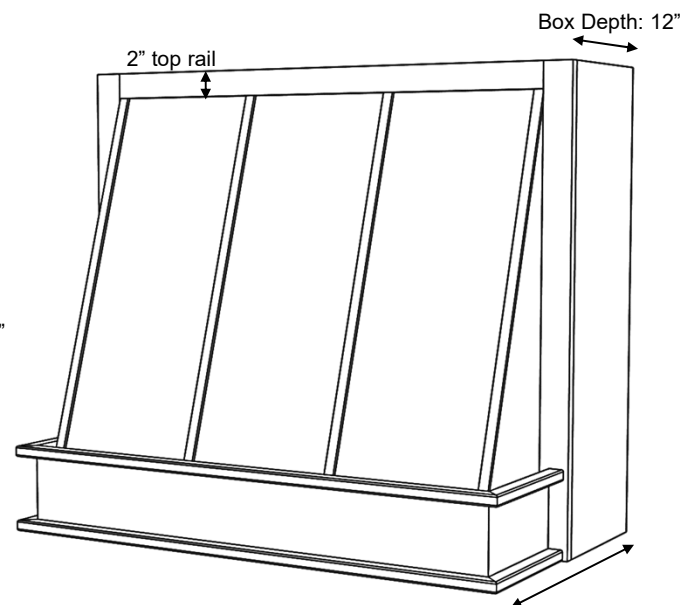
NDP1 48
NDP1 54
NDP1 60
NDP1 66*
NDP1 72*
NDP1 78*



*Top center panel is three panels rather than two, due to width of hood.



P Series shown with Hardwood Base (PHW)



P Series shown with PL Base (PPL) and optional Hardwood Battens

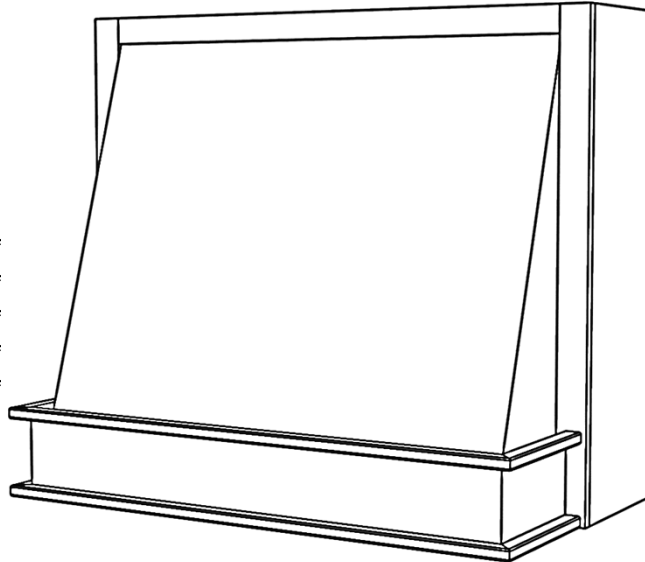
P Series

Standard Widths	33, 36, 39, 42, 45, 48, 51, 54, 57, 60, 63 (Reduced widths available)
Standard Heights	24, 30, 36, 42, 48 (Reduced heights available)
Removable Options	Removable Front (RF) – Rear Box Depth will be 16" – see modifications section. Applied Removable Panel (ARP) – see modifications section.
Ventilation	Hood must be a minimum of 3" wider than available vent width. Example: To use a 36" vent model, the hood should be a minimum of 39" wide
Available Moldings	#3 Basic is standard
Available Options	Hardwood Battens (See battens options page) 12" Box Depth can be modified by request
Grain Direction	Vertical (Base is horizontal) Hoods over 48" wide will have horizontal grain on angled front.

Standard Heights: 24, 30, 36, 42, 48

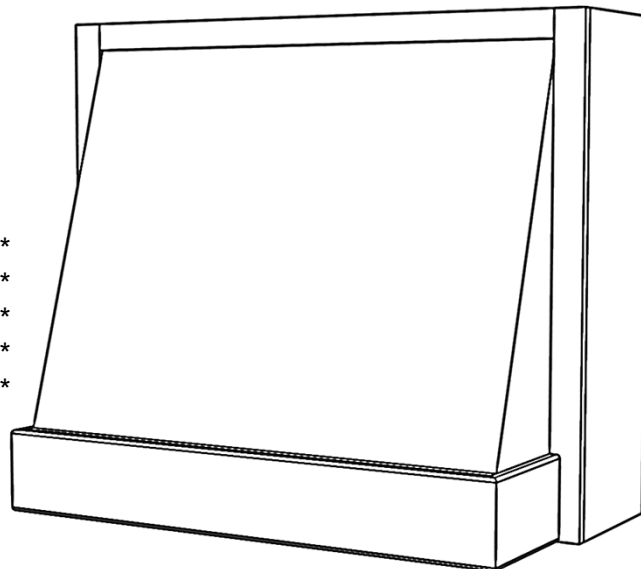
P- PL Base

- PPL 33
- PPL 36
- PPL 39
- PPL 42
- PPL 45
- PPL 48
- PPL 51*
- PPL 54*
- PPL 57*
- PPL 60*
- PPL 63*

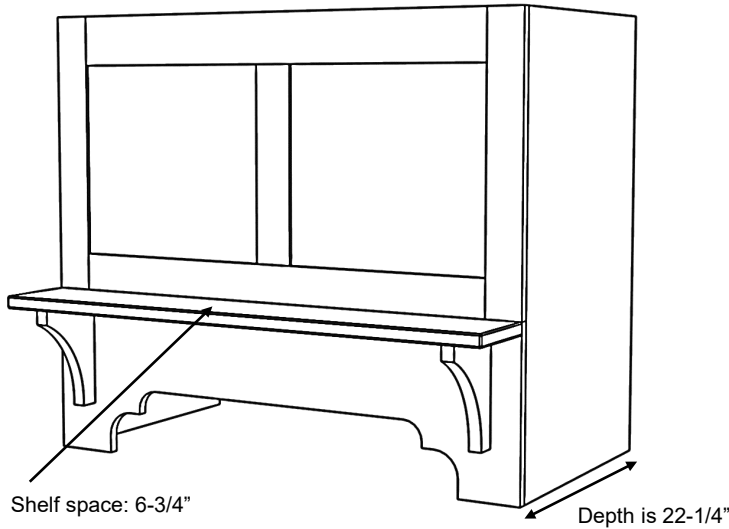


P- Hardwood Base

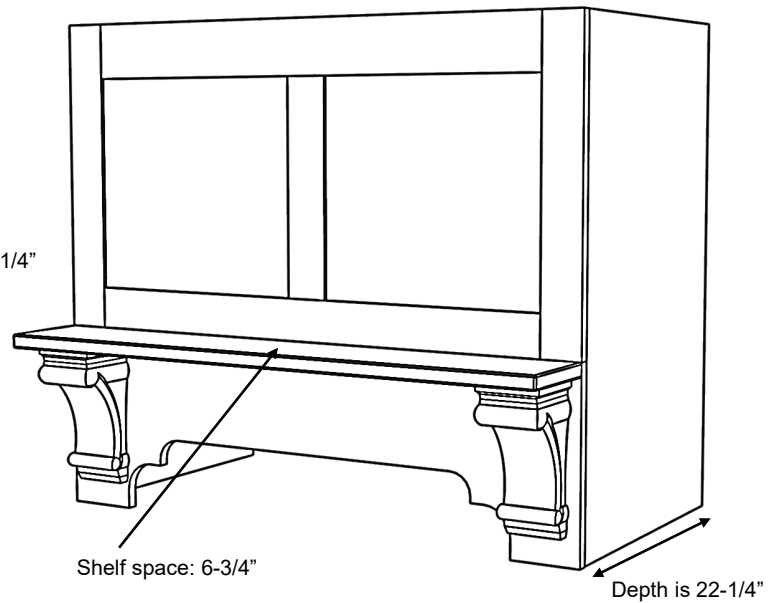
- PHW 33
- PHW 36
- PHW 39
- PHW 42
- PHW 45
- PHW 48
- PHW 51*
- PHW 54*
- PHW 57*
- PHW 60*
- PHW 63*



** Hoods over 48" wide will have horizontal grain on angled front.*



Q Series with Bracket Corbels (QBKT)



*Q Series (QS)
shown with optional corbels.*

Q Series

Standard Widths	30, 36, 42, 48, 54, 60 (Reduced widths available)
Standard Heights	24, 30, 36, 42, 48 (Reduced heights available)
Removable Options	Removable Panel is standard (MRP) 2" fixed top rail available by request (MRP-2TR) – see modifications section.
Ventilator	Hood will be same width as available vent width. Example: To use a 36" vent model, the hood should be a minimum of 36" wide.
Available Options	Basic shelf is the default shelf style Decorative shelf style is available upon request Corbels – All Stanisci corbel options will fit this design (See corbel options page)
Grain Direction	Vertical (Base is horizontal)

Standard Heights: 24, 30, 36, 42, 48



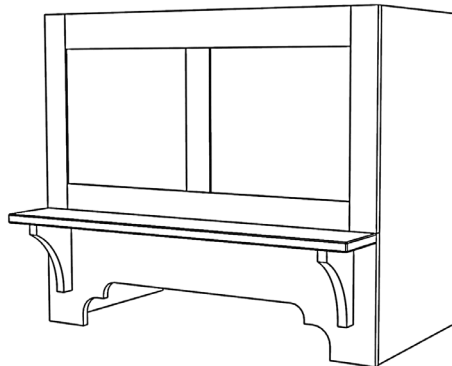
Basic Shelf- Standard



Decorative Shelf- Optional

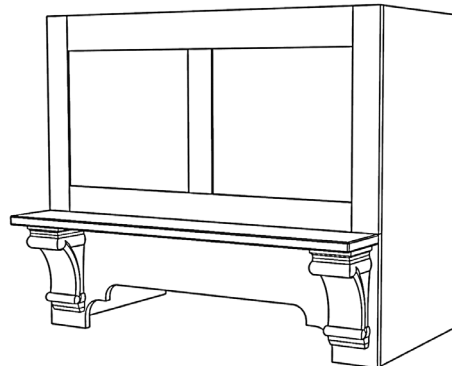
QBKT- With Shelf and Simple Brackets

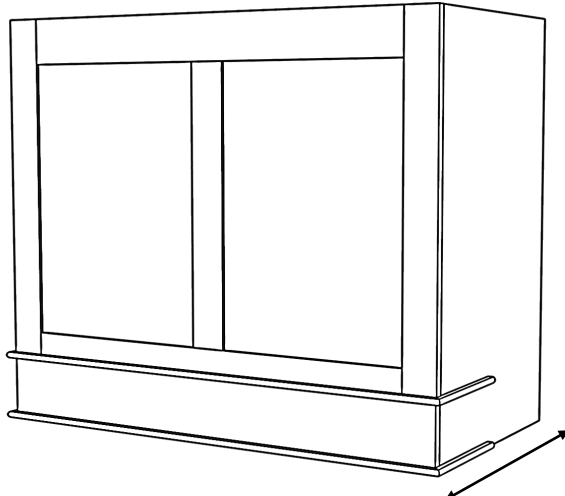
- QBKT 30
- QBKT 36
- QBKT 42
- QBKT 48
- QBKT 54
- QBKT 60



QS- With Shelf

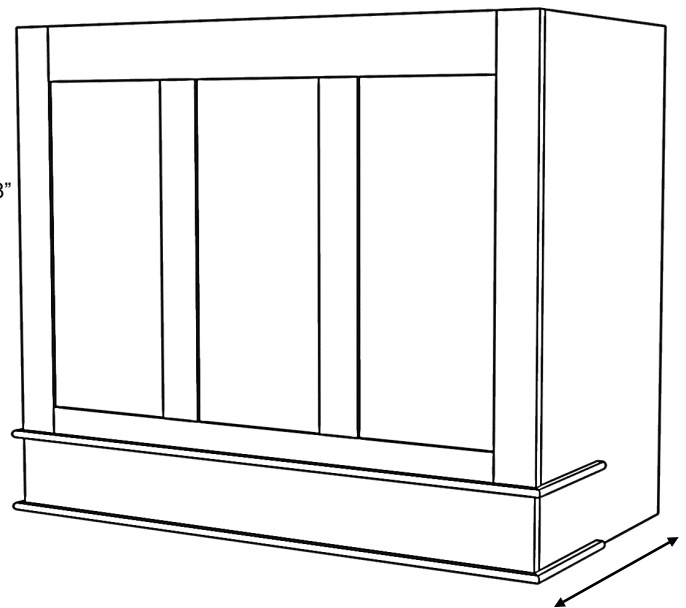
- QS 30
- QS 36
- QS 42
- QS 48
- QS 54
- QS 60





*SB100 Series hood (SB100)
(30" – 42" wide will have 2 center panels)*

Overall Depth is 22-7/8"



*SB100 Series hood (SB100)
(48" – 60" wide will have 3 center panels)*

Overall Depth is 22-7/8"

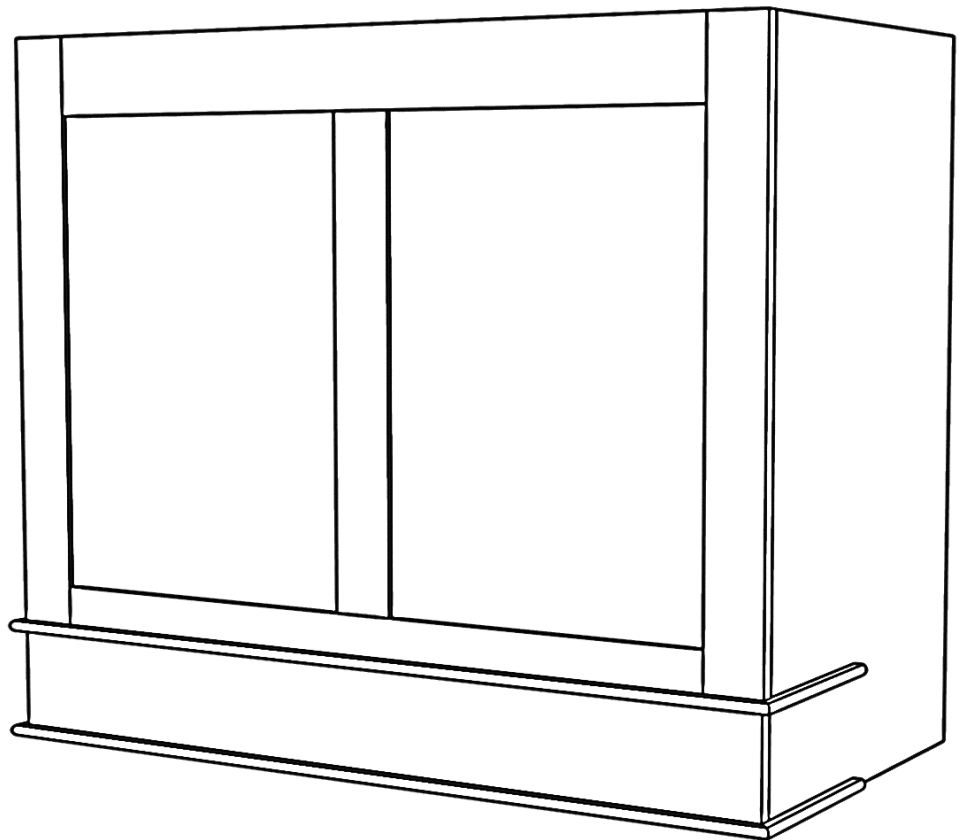
SB100 Series

Standard Widths	30, 36, 42, 48, 54, 60 (Reduced widths available)
Standard Heights	24, 30, 36, 42, 48 (Reduced heights available)
Removable Options	Removable Panel – standard (MRP) 2" fixed top rail available by request (MRP-2TR) – see modifications section.
Standard Assumptions	Moldings will be shipped loose, cut and sized to full depth of hood, and field trimmed to size.
Ventilation	Hood will be same width as available vent width. Example: To use a 36" vent model, the hood should be a minimum of 36" wide.
Grain Direction	Vertical (Base is horizontal)

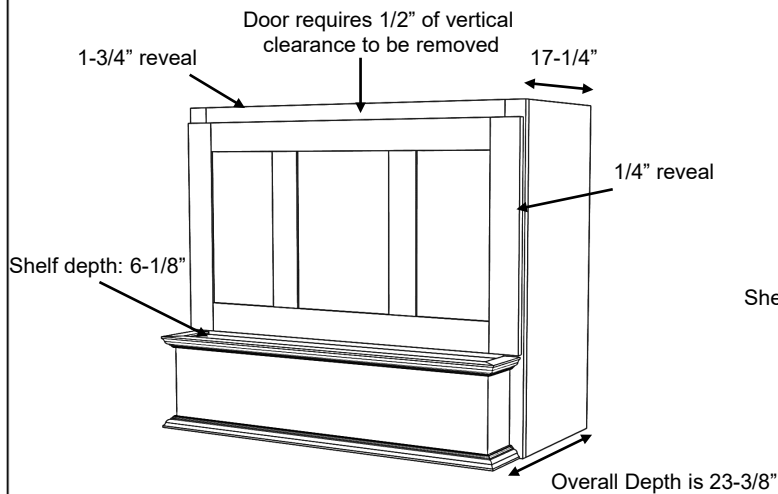
Standard Heights: 24, 30, 36, 42, 48

SB100

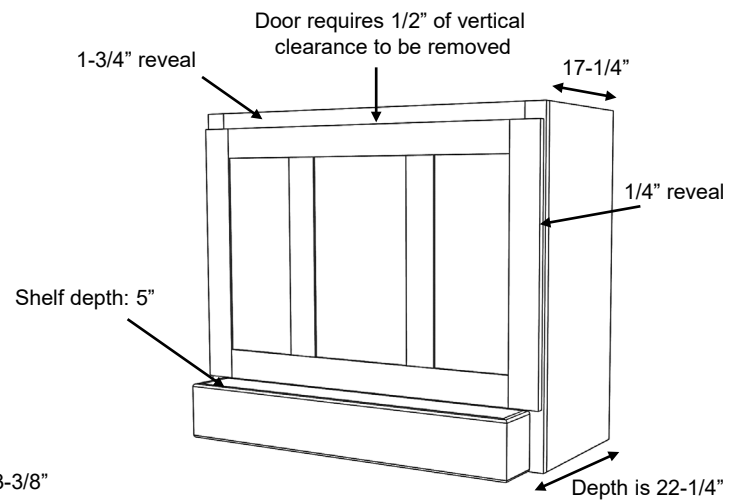
SB100 30
SB100 36
SB100 42
SB100 48*
SB100 54*
SB100 60*



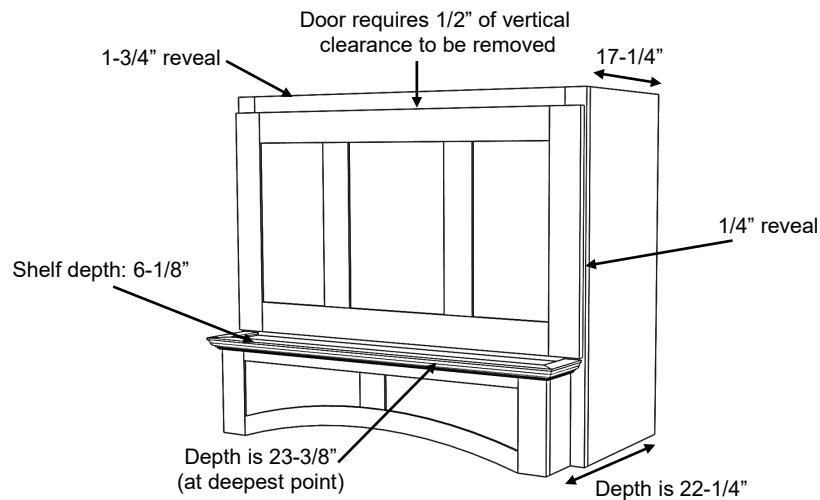
* There will be three panels rather than two, due to width of hood



S Series shown with Standard Base (S) and #1 Classic moldings



S Series shown with Hardwood Base (SHW)



S Series shown with RA Base (SRA) and #1 Classic moldings

S Series

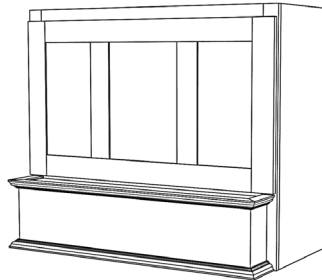
Standard Widths	33, 36, 39, 42, 45, 48, 51, 54, 57, 60, 63 (Reduced widths available)
Standard Heights	24, 30, 36, 42, 48 (Reduced heights available)
Removable Options	Removable Panel is standard Door removes by pulling upwards. Minimum 1/2" clearance is needed above top of door.
Ventilation	Hood must be a minimum of 3" wider than available vent width. Example: To use a 36" vent model, the hood should be a minimum of 39" wide.
Available Moldings	#1 Classic, #2 Simple, #3 Basic
Grain Direction	Vertical (Base is horizontal)

700 South Glaspie Street • Oxford, MI 48371 • (248) 572-6880 • email: sales@wood-hood.com • www.wood-hood.com

Standard heights of 24, 30, 36, 42, 48

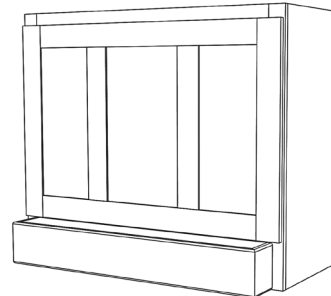
S- Standard Base

S 33
S 36
S 39
S 42
S 45
S 48
S 51
S 54
S 60
S 57
S 63



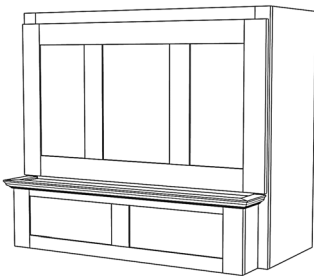
S- Hardwood Base

SHW 33
SHW 36
SHW 39
SHW 42
SHW 45
SHW 48
SHW 51
SHW 54
SHW 57
SHW 60
SHW 63



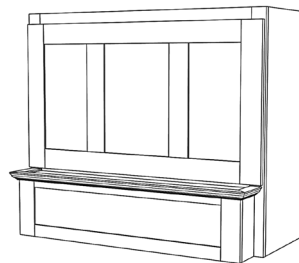
S- RS Base

SRS 33
SRS 36
SRS 39
SRS 42
SRS 45
SRS 48
SRS 51
SRS 54
SRS 57
SRS 60
SRS 63



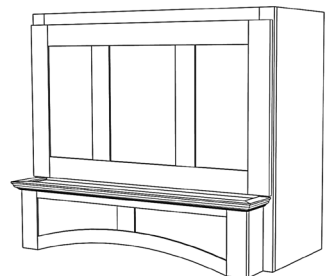
S- RSS Base

SRSS 33
SRSS 36
SRSS 39
SRSS 42
SRSS 45
SRSS 48
SRSS 51
SRSS 54
SRSS 57
SRSS 60
SRSS 63



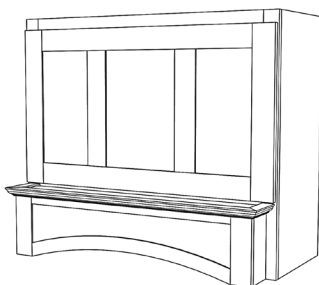
S- RA Base

SRA 33
SRA 36
SRA 39
SRA 42
SRA 45
SRA 48
SRA 51
SRA 54
SRA 57
SRA 60
SRA 63



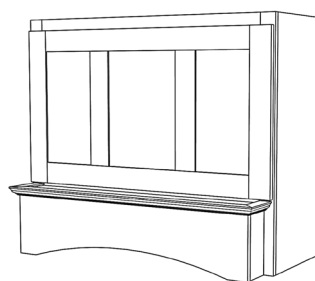
S- DP2 Base

SDP2 33
SDP2 36
SDP2 39
SDP2 42
SDP2 45
SDP2 48
SDP2 51
SDP2 54
SDP2 57
SDP2 60
SDP2 63



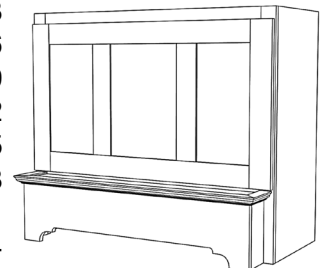
S- SL Base

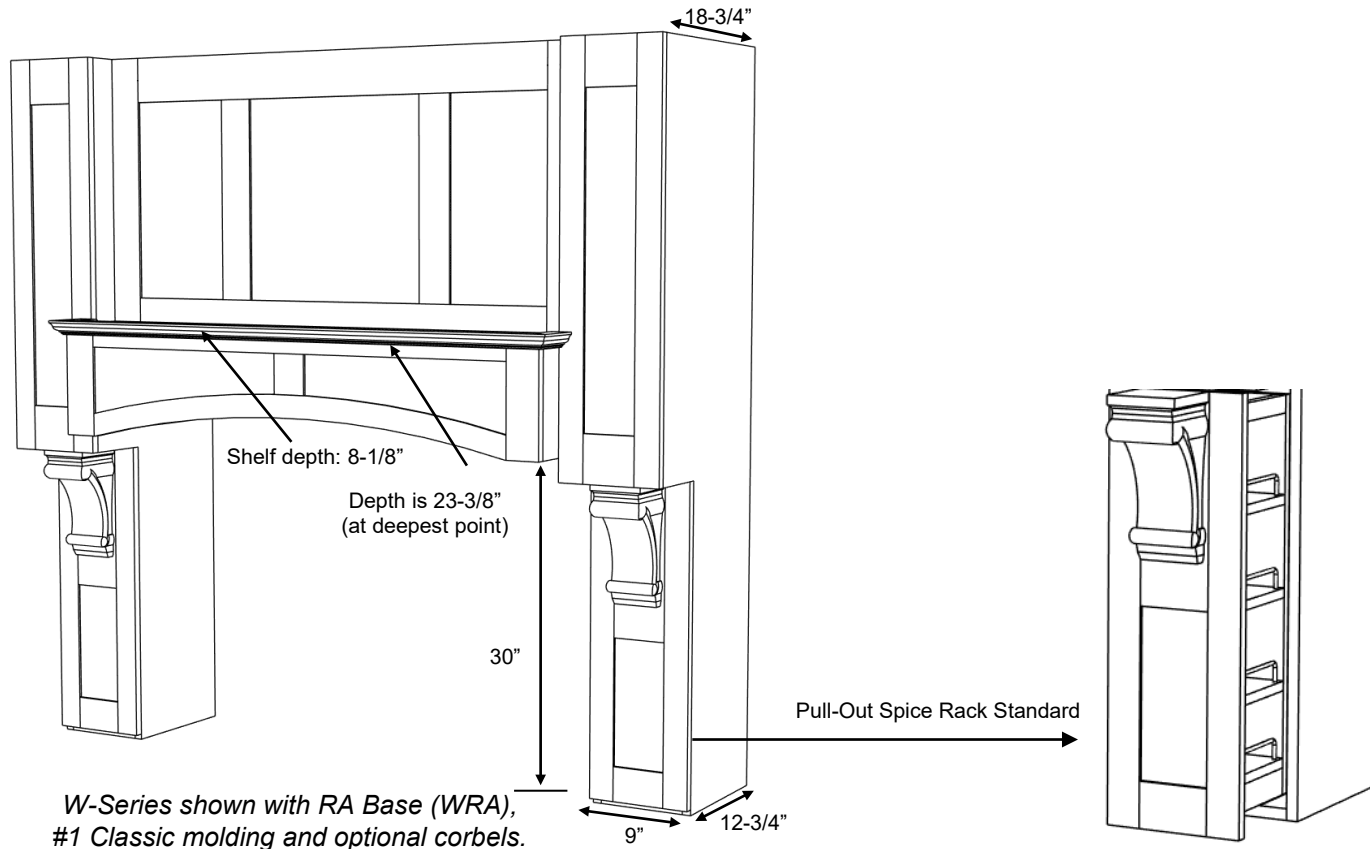
SSL 33
SSL 36
SSL 39
SSL 42
SSL 45
SSL 48
SSL 51
SSL 54
SSL 57
SSL 60
SSL 63



S- DP1 Base

SDP1 33
SDP1 36
SDP1 39
SDP1 42
SDP1 45
SDP1 48
SDP1 51
SDP1 54
SDP1 57
SDP1 60
SDP1 63





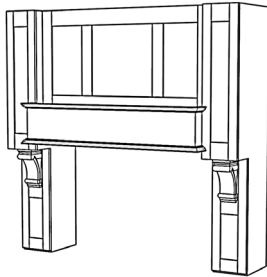
W Series

Standard Widths	66, 72, 78, 84, 90 (Reduced widths available) To calculate minimum width, take range width plus 36". Example: A 36" range would get a 72" wide hood. (36 + 36 = 72) (Assumes 9" clearance between cook top and leg on both sides. Refer to your local building codes for minimum required clearance.)
Standard Heights	54, 60, 66, 72, 78, 84 (Reduced heights available) To calculate height, take ceiling height minus 36". Example: A 96" ceiling would have a 60" tall hood. (96 - 36 = 60)
Removable Options	Removable Panel is standard (MRP) 2" fixed top rail available by request (MRP-2TR) – see modifications section.
Ventilation	Hood must be a minimum of 18" wider than available vent width. Example: To use a 54" vent model, the hood should be a minimum of 72" wide
Available Moldings	#1 Classic #2 Simple #3 Basic
Available Options	Pull out spice racks are standard – can be removed by request. Corbels - All Stanisci corbel options will fit this design (See corbel options page) Legs are set up for corbels, but full-size door can be requested if corbels are not being used.
Grain Direction	Vertical (Base is horizontal)

Standard Heights: 54, 60, 66, 72, 78, 84

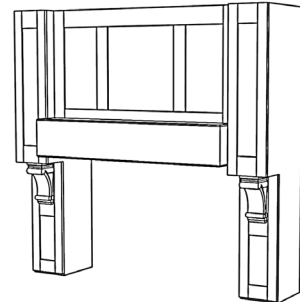
W- Standard Base

W 66
W 72
W 78
W 84
W 90



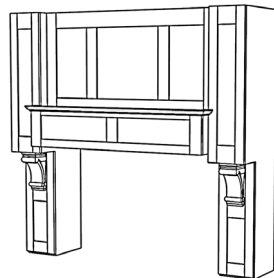
W- Hardwood Base

WHW 66
WHW 72
WHW 78
WHW 84
WHW 90



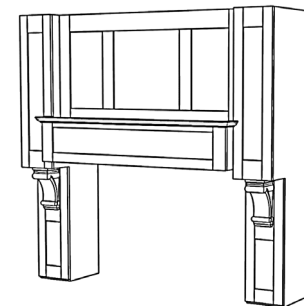
W- RS Base

WRS 66
WRS 72
WRS 78
WRS 84
WRS 90



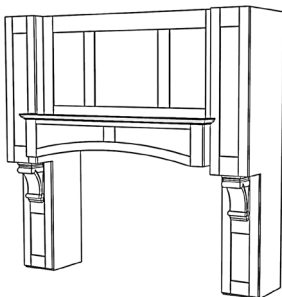
W- RSS Base

WRSS 66
WRSS 72
WRSS 78
WRSS 84
WRSS 90



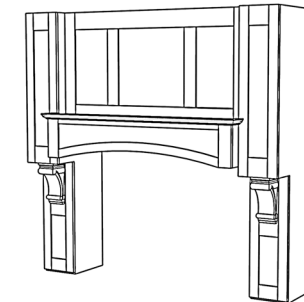
W- RA Base

WRA 66
WRA 72
WRA 78
WRA 84
WRA 90



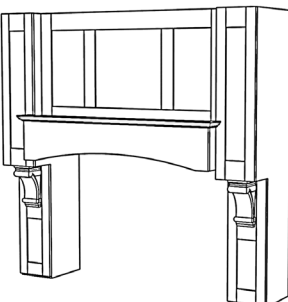
W- DP2 Base

WDP2 66
WDP2 72
WDP2 78
WDP2 84
WDP2 90



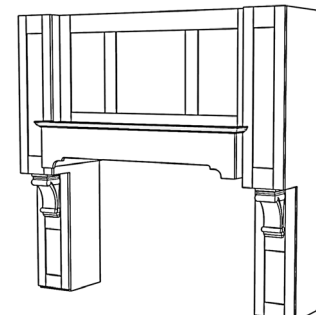
W- SL Base

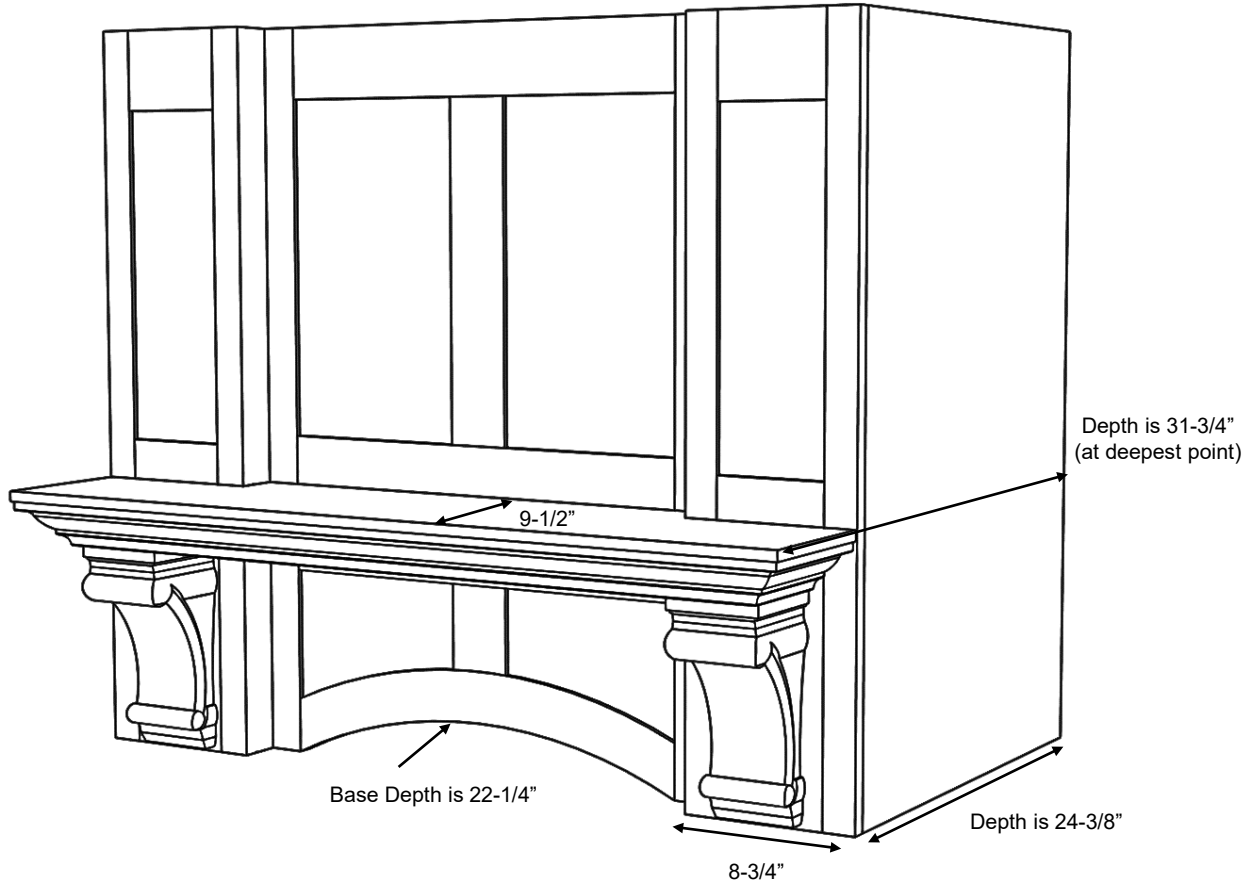
WSL 66
WSL 72
WSL 78
WSL 84
WSL 90



W- DP1 Base

WDP1 66
WDP1 72
WDP1 78
WDP1 84
WDP1 90





*X-Series shown with RA Base (XRA),
#1 Classic Molding, and optional corbels*

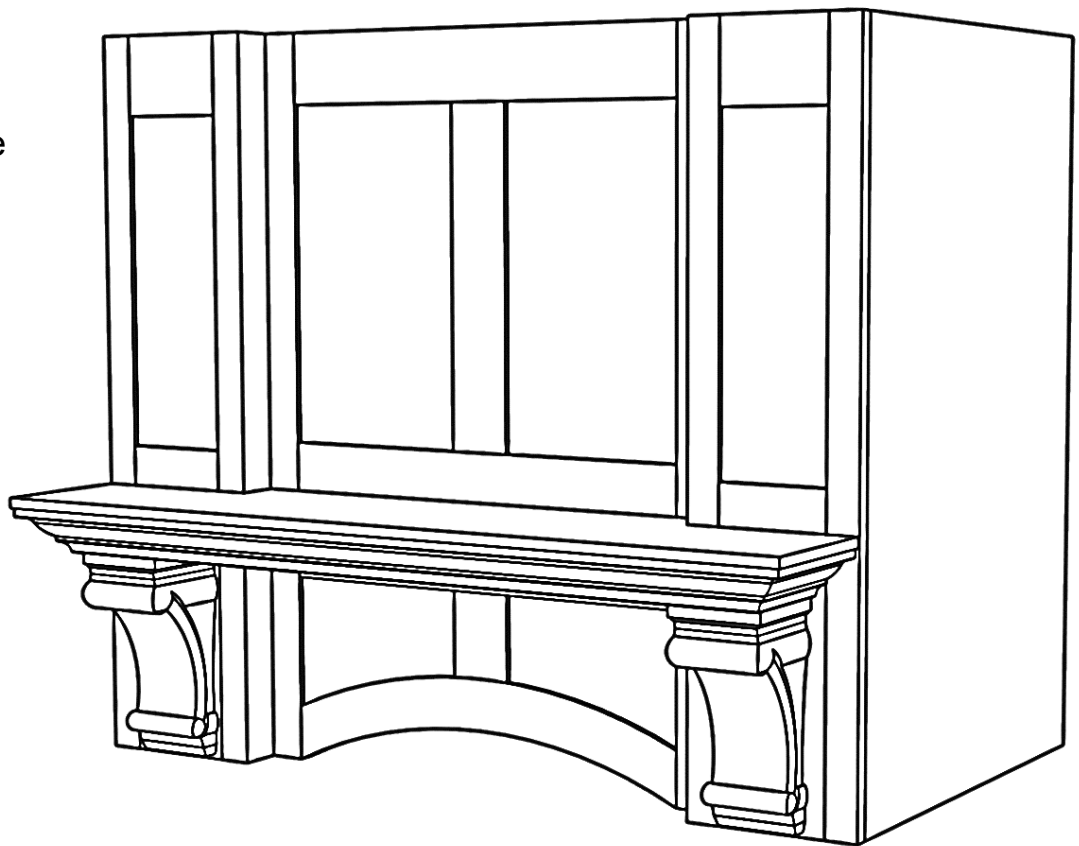
X Series

Standard Widths	30, 36, 42, 48, 54, 60 (Reduced widths available)
Standard Heights	24, 30, 36, 42, 48 (Reduced heights available)
Removable Options	Not available
Ventilation	Hood will be same width as available vent width. Example: To use a 36" vent model, the hood should be a minimum of 36" wide.
Available Moldings	#1 Classic, #2 Simple
Available option	Corbels - All Stanisci corbel options will fit this design (See corbel options page)
Grain Direction	Vertical

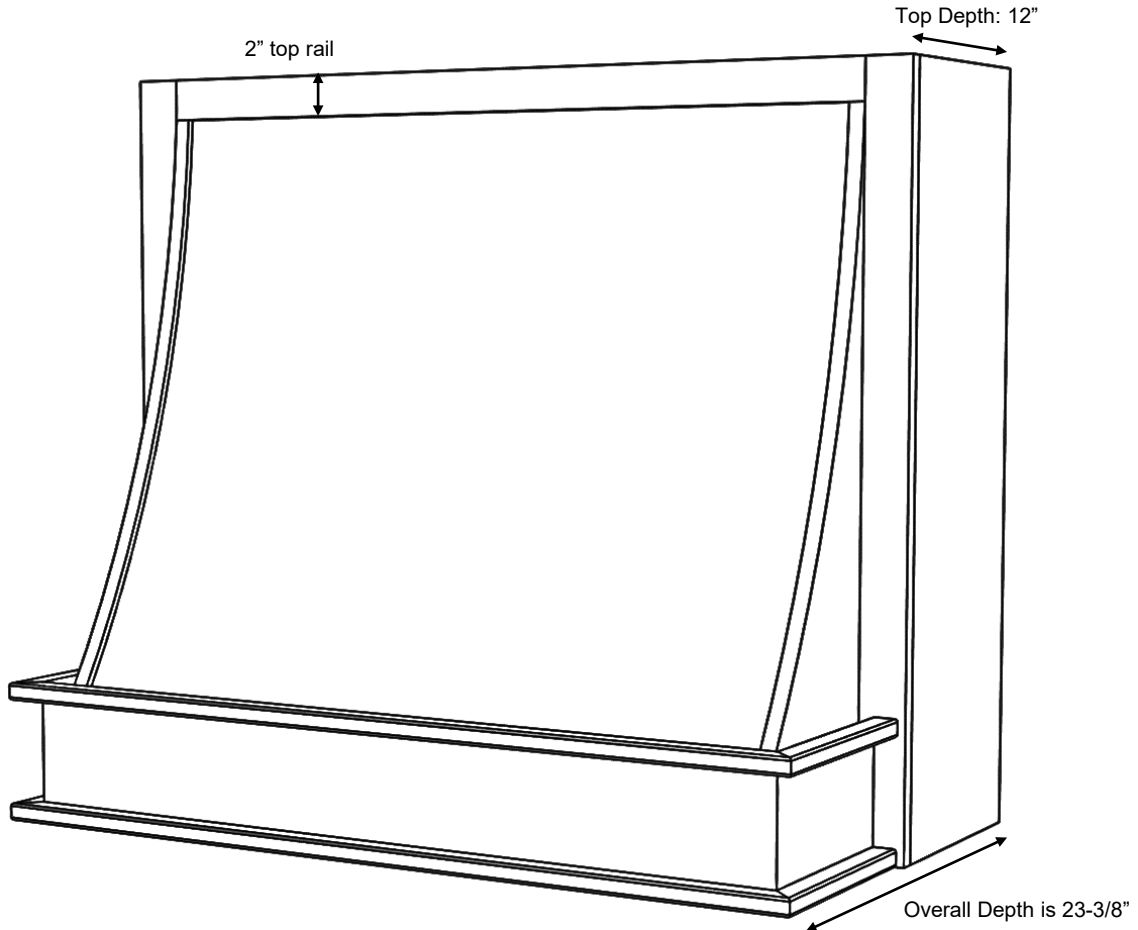
Standard Heights: 24, 30, 36, 42, 48

X- RA Base

- XRA 30*
- XRA 36
- XRA 42
- XRA 48
- XRA 54
- XRA 60



*Door Panels must be flat



Z200 series shown with PL Base (Z200PL)

Z200 Series

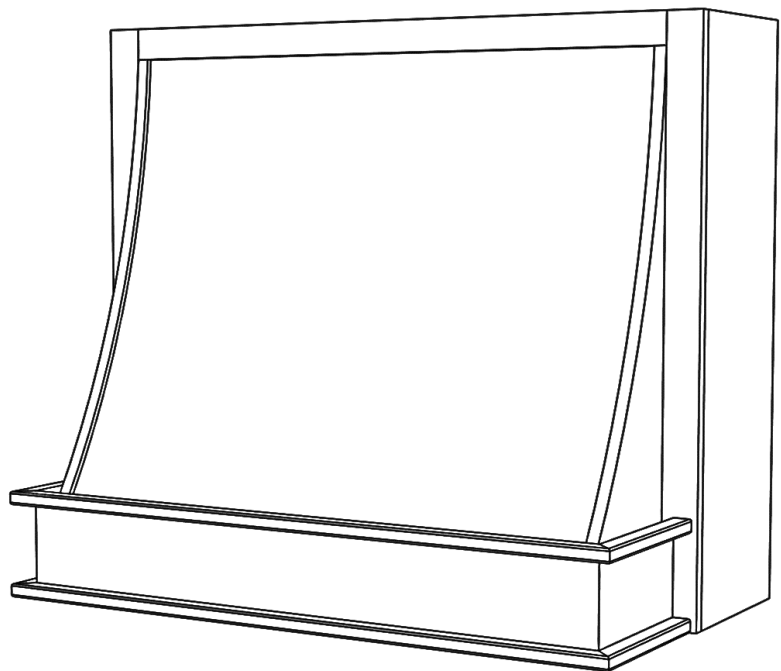
Standard Widths	33, 36, 39, 42, 45, 48, 51, 54, 57, 60, 63 (Reduced widths available)
Standard Heights	30, 36, 42, 48 (Reduced heights available)
Removable Options	Removable Front (RF) – Rear Box must be 16" – see modifications section.
Ventilation	Hood must be a minimum of 3" wider than available vent width. Example: To use a 36" vent model, the hood should be a minimum of 39" wide.
Available Option	12" Box Depth can be modified by request.
Grain Direction	Vertical (Base is horizontal) Hoods over 48" wide will have horizontal grain on sloped front

700 South Gaspie Street • Oxford, MI 48371 • (248) 572-6880 • email: sales@wood-hood.com • www.wood-hood.com

Standard Heights: 30, 36, 42, 48

Z200- PL Base

Z200PL	33
Z200PL	36
Z200PL	39
Z200PL	42
Z200PL	45
Z200PL	48
Z200PL	51*
Z200PL	54*
Z200PL	57*
Z200PL	60*
Z200PL	63*



** Hoods over 48" wide will have horizontal grain on sloped front.*

All Stanisci Design Custom Range Hoods are built to order based on your specifications, and available in 12 different species! We offer a full line of ventilation engineered specifically for our range hoods, or we can modify our hoods to fit the homeowner's 3rd party vent unit. If you're interested in a design not shown in our catalog, send us a drawing / sketch/ picture to sales@wood-hood.com and someone from our Customs Department will be in touch!

Check us out on social media and www.wood-hood.com for even more design inspiration!



@woodrangehoods



@WoodRangeHoods



@Stanisci Design & Manufacturing

Custom S-Series Design created for Revive Home Studio in Marco Island, FL



700 South Glaspie Street • Oxford, MI 48371 • (248) 572-6880 • email: sales@wood-hood.com • www.wood-hood.com



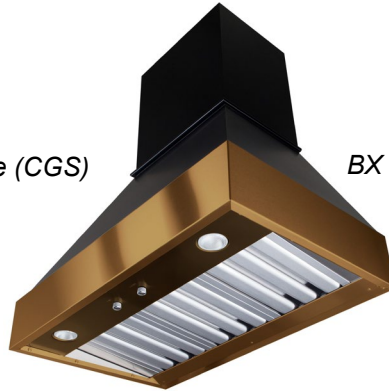
This page left intentionally blank



C Series shown with Gold Stainless Base (CGS)



BX Series shown with Stainless Steel Base (BXSS)



Underside view – Baffle filters will always be stainless steel regardless of selected finish

Stainless Base w/ Baffle Filters

Metal Baffle Bases can be ordered in place of the 6” high Hardwood Base on many of our range hood designs, and also serve as the hoods ventilation system. These Metal Baffle Bases consist of a 6” metal bottom and a fully integrated baffle liner on the underside complete with LED lights, stainless steel baffle filters, and control knobs.

Available Widths	30, 36, 42, 48, 54, 60 (custom widths are not available)
Motor Options	600/300 CFM, 1200 CFM
Available Hood Models	B, BX, BXV, C, CX, D, E, E200, ER200, ER600, FX200, G, and GT
Standard Finishes <i>(in stock)</i>	Stainless Steel (SS)

PRICE LEVEL 1 (SPECIAL ORDER 6-8 WEEK LEAD TIME)

Gold Stainless (GS)	Stainless w/ Matte clear (SMC)	Dark stainless (DSB)	Powder Coat: Aged Bronze (PC-AB)
Powder Coat: Speckled Pewter (PC-SP)	Powder Coat: Wilson Blue (PC-WB)	Powder Coat: Gardenia (PC-GA)	
Powder Coat: Traffic White (PC-TW)	Powder Coat: Jet Black (PC-JB)	Powder Coat: Flat Black Matte (PC-BM)	

PRICE LEVEL 2 (SPECIAL ORDER 6-8 WEEK LEAD TIME)

Brushed Brass Coated (BBC)	Brushed Brass *will patina (BB)	Smoked Brass (SB)
Brushed Copper *will patina (BC)	Brushed Copper Coated (BCC)	Smoked Copper (SC)

700 South Gaspie Street • Oxford, MI 48371 • (248) 572-6880 • email: sales@wood-hood.com • www.wood-hood.com

SS-BASE VENTILATION

STANDARD FINISH (Stocked at Factory)



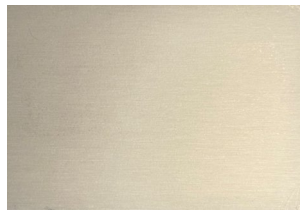
Stainless Steel - SS

SPECIAL ORDER FINISHES (6-8 week lead-time)

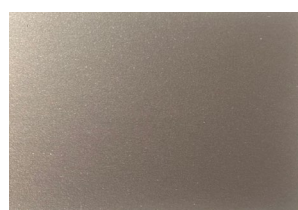
PRICE LEVEL 1



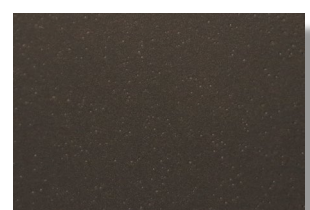
Gold Stainless
GS



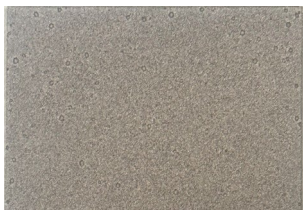
SS w/ Matte Clear
SMC



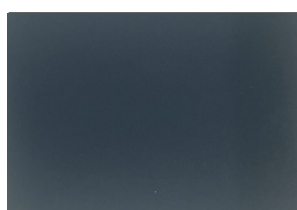
Dark Stainless
DSB



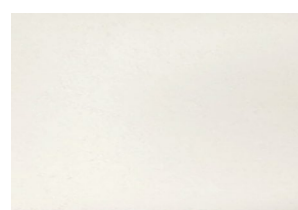
Powder Coat: Aged Bronze
PC-AB



Powder Coat: Speckled Pewter
PC-SP



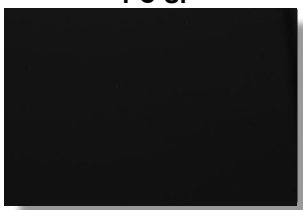
Powder Coat: Wilson Blue
PC-WB



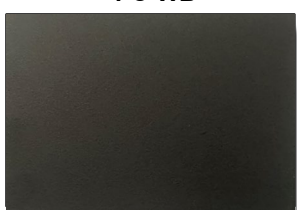
Powder Coat: Gardenia
PC-GA



Powder Coat: Traffic White
PC-TW



Powder Coat: Jet Black
PC-JB



Powder Coat: Flat Black Matte
PC-BM

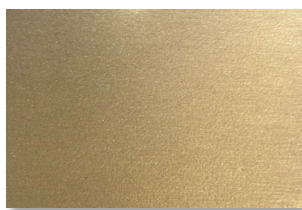
PRICE LEVEL 2



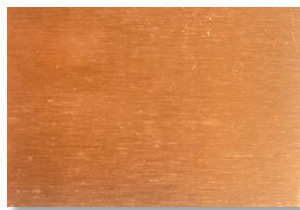
Brushed Brass Coated
BBC



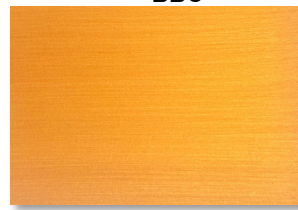
Brushed Brass **will patina*
BB



Smoked Brass
SB



Brushed Copper **will patina*
BC



Brushed Copper Coated
BCC



Smoked Copper
SC

SS Base w/ Baffle Filters

Technical Features:

- 6" high metal base available in 17 finishes
- Fully integrated baffle liner on the underside of metal base
- Dimmer controlled LED lighting
 - Variable speed fan control
- Large dishwasher safe brushed stainless steel baffle filters
 - Several blower combinations available
- Liner sizes available from 30" – 60"



Stanisci Design ventilation has been engineered specifically for Stanisci Design Range Hoods, and are in-stock and ready to ship!

Features your customers want:

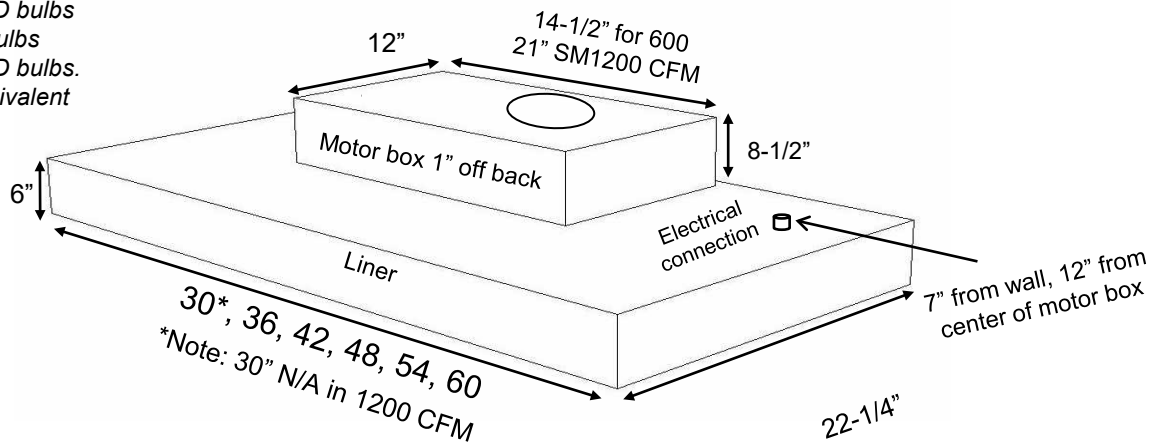
- Dishwasher safe filters
- Easy cleaning
- Dimmer controlled LED lighting
- European design
- Three year in home warranty
- Quiet, variable speed blower- made in Germany



SS-BASE VENTILATION

SM600/300 SS-BASE-600/300-XX	600 CFM motor *comes with optional wire harness to reduce max CFM to 300	SM1200 SS-BASE-1200-XX	1200 CFM motor
DUCTING	8" ROUND	DUCTING	10" ROUND
AMPS	110V - 15 amp dedicated circuit	AMPS	110V - 15 amp dedicated circuit
SS-BASE-600/300-30: 30 W x 22-1/4 D SS-BASE-600/300-36: 36 W x 22-1/4 D SS-BASE-600/300-42: 42 W x 22-1/4 D SS-BASE-600/300-48: 48 W x 22-1/4 D SS-BASE-600/300-54: 54 W x 22-1/4 D SS-BASE-600/300-60: 60 W x 22-1/4 D		NOT AVAILABLE IN 30" WIDE SS-BASE-1200-36: 36 W x 22-1/4 D SS-BASE-1200-42: 42 W x 22-1/4 D SS-BASE-1200-48: 48 W x 22-1/4 D SS-BASE-1200-54: 54 W x 22-1/4 D SS-BASE-1200-60: 60 W x 22-1/4 D	

30-42" liners have 2 LED bulbs
 48" liners have 3 LED bulbs
 54-60" liners have 4 LED bulbs.
 LED BULBS – 50W equivalent



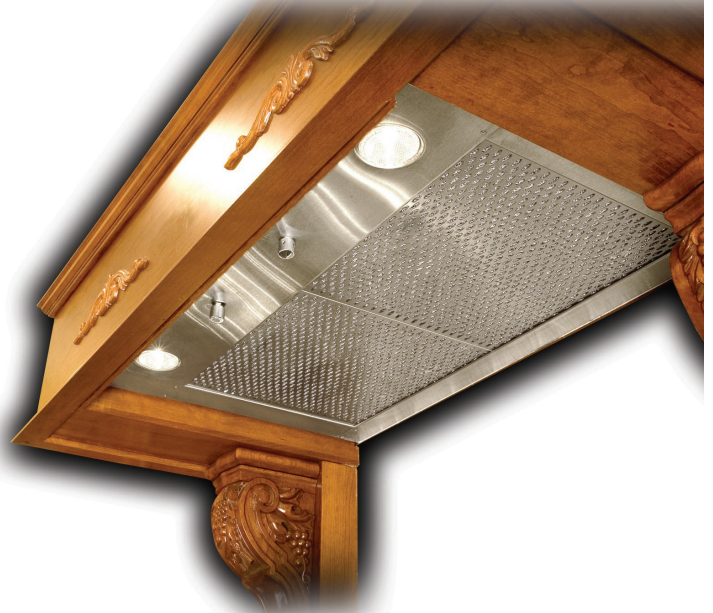
Vent Width / Model

WOOD HOOD MODEL & SIZE	SS-BASE-30	SS-BASE-36	SS-BASE-42	SS-BASE-48	SS-BASE-54	SS-BASE-60
C, CX, E200, ER200, ER600, FX200	30	36	42	48	54	60
B, D, E, G, GT	N/A	36	42	48	54	60
BX, BXV	30	36	42	48	54	60

Professional Mesh Liners

Technical Features:

- Dimmer LED lighting
- Variable speed fan control
- Large dishwasher safe stainless steel mesh insert filters
 - Several blower combinations available
- Liner sizes available from 30" – 60"
- Made exclusively for Stanisci Design by Modern-Aire Ventilation



Stanisci Design ventilation has been engineered specifically for Stanisci Design Range Hoods, and are in-stock and ready to ship!

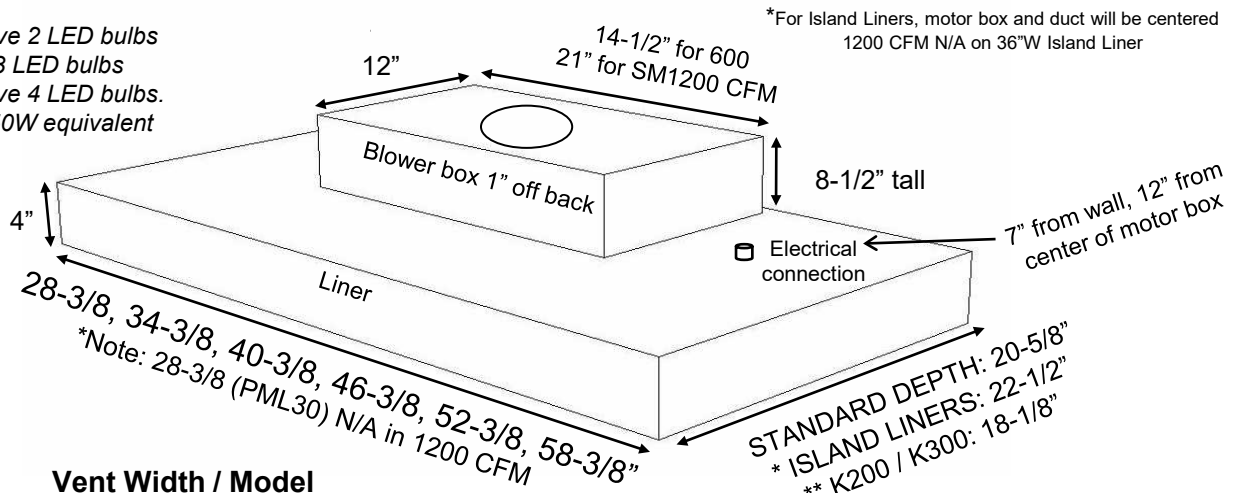
Features your customers want:

- Dishwasher safe filters
- Dimmer controlled LED lighting
- European design
- Three year in home warranty
- Quiet, variable speed blower- made in Germany
- Charcoal filters available for re-circulating applications (air must be directed out of hood to maintain warranties).



SM600/300 PML-600/300-XX	600 CFM motor *comes with optional wire harness to reduce max CFM to 300	SM1200 PML-1200-XX	1200 CFM motor
DUCTING	8" ROUND	DUCTING	10" ROUND
AMPS	110V - 15 amp dedicated circuit	AMPS	110V - 15 amp dedicated circuit
PML-600/300-30: 28-3/8 W x 20-5/8 D PML-600/300-36: 34-3/8 W x 20-5/8 D PML-600/300-42: 40-3/8 W x 20-5/8 D PML-600/300-48: 46-3/8 W x 20-5/8 D PML-600/300-54: 52-3/8 W x 20-5/8 D PML-600/300-60: 58-3/8 W x 20-5/8 D		NOT AVAILABLE IN 30" WIDE PML-1200-36: 34-3/8 W x 20-5/8 D PML-1200-42: 40-3/8 W x 20-5/8 D PML-1200-48: 46-3/8 W x 20-5/8 D PML-1200-54: 52-3/8 W x 20-5/8 D PML-1200-60: 58-3/8 W x 20-5/8 D	

30-42" liners have 2 LED bulbs
 48" liners have 3 LED bulbs
 54-60" liners have 4 LED bulbs.
 LED BULBS – 50W equivalent



*For Island Liners, motor box and duct will be centered
 1200 CFM N/A on 36"W Island Liner

Vent Width / Model

WOOD HOOD MODEL & SIZE	28-3/8"	34-3/8"	40-3/8"	46-3/8"	52-3/8"	58-3/8"
	PML-30	PML-36	PML-42	PML-48	PML-54	PML-60
C, CX, E200, E300, ER200, ER300, ER400, ER500, ER600, FX200, FX300, K200**, K300**, L2, SB100	30	36	42	48	54	60
I – ISLAND (36 N/A w/1200 CFM)	N/A	36	42	48	54	60
B, D, E, G, GT	N/A	36	42	48	54	60
W	N/A	N/A	N/A	66	72	78, 84, 90
H, L, N	48	54	60	66	72	78
BX, BXV, M, Q, X	30	36	42	48	54	60
A, J, P, S, Z200	33 or 36	39 or 42	45 or 48	51 or 54	57 or 60	63
H2	42	48	54	60	66	72
AX	31	37	43	49	55	61

700 South Gaspie Street • Oxford, MI 48371 • (248) 572-6880 • email: sales@wood-hood.com • www.wood-hood.com

Professional Baffle Liners

Technical Features:

- Dimmer controlled LED lighting
 - Variable speed fan control
- Large dishwasher safe brushed stainless steel baffle filters
 - Large capture area
 - Several blower combinations available
- Liner sizes available from 30" – 60"
- 22 gauge Stainless Steel



Stanisci Design ventilation has been engineered specifically for Stanisci Design Range Hoods, and are in-stock and ready to ship!

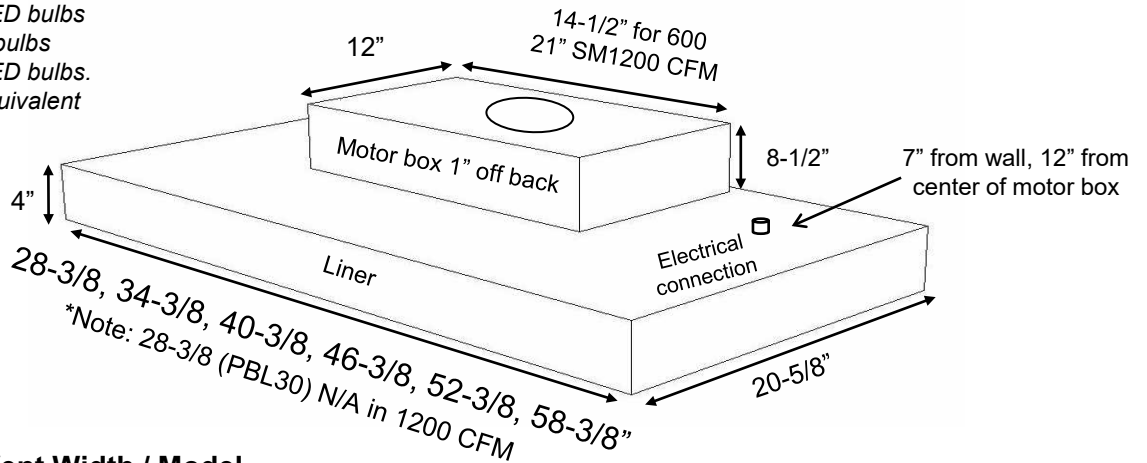
Features your customers want:

- Dishwasher safe filters
- Easy cleaning
- Dimmer controlled LED lighting
- European design
- Three year in home warranty
- Quiet, variable speed blower- made in Germany



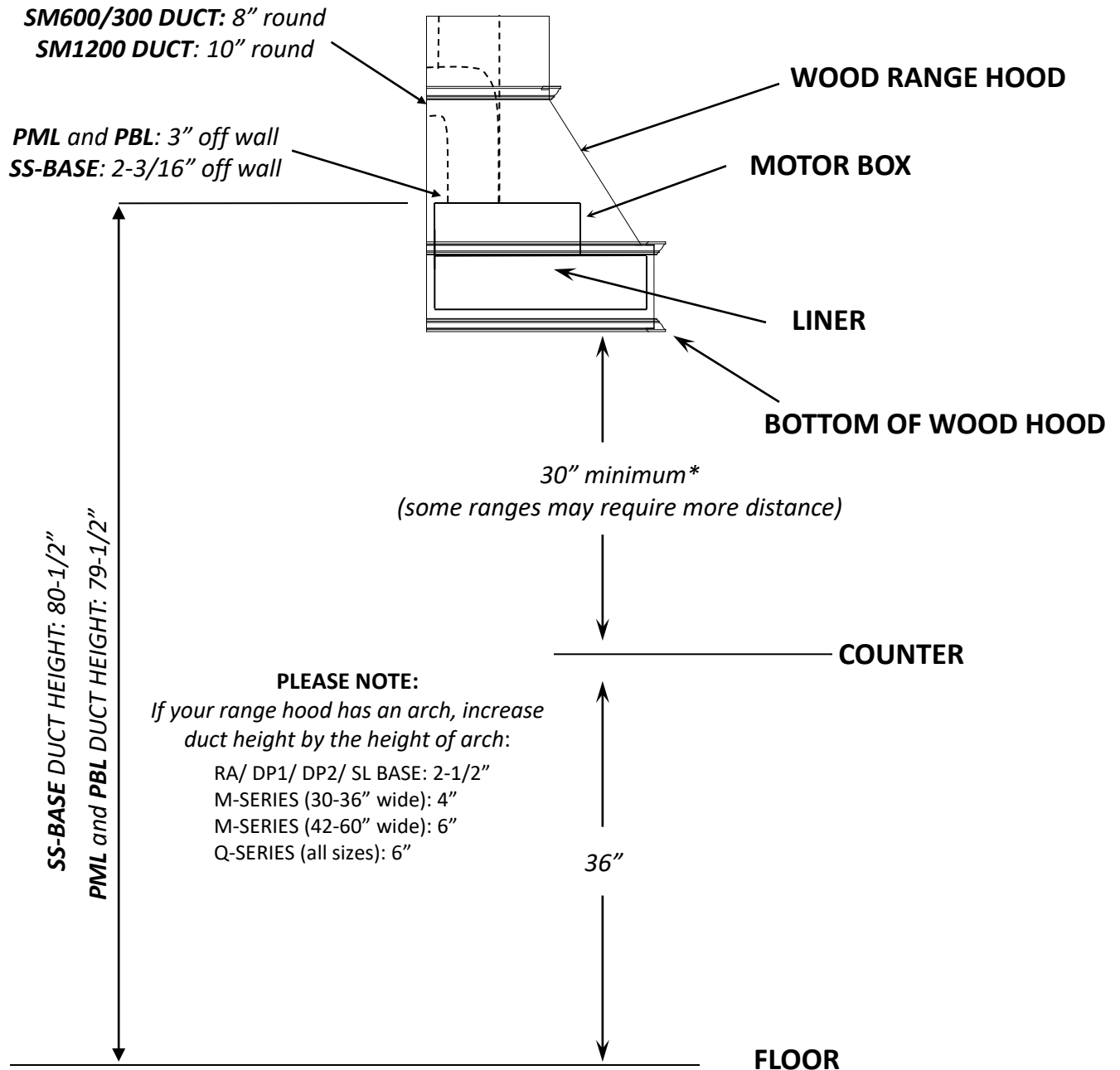
SM600/300 PBL-600/300-XX	600 CFM motor *comes with optional wire harness to reduce max CFM to 300	SM1200 PBL-1200-XX	1200 CFM motor
DUCTING	8" ROUND	DUCTING	10" ROUND
AMPS	110V - 15 amp dedicated circuit	AMPS	110V - 15 amp dedicated circuit
PBL-600/300-30: 28-3/8 W x 20-5/8 D PBL-600/300-36: 34-3/8 W x 20-5/8 D PBL-600/300-42: 40-3/8 W x 20-5/8 D PBL-600/300-48: 46-3/8 W x 20-5/8 D PBL-600/300-54: 52-3/8 W x 20-5/8 D PBL-600/300-60: 58-3/8 W x 20-5/8 D		NOT AVAILABLE IN 30" WIDE PBL-1200-36: 34-3/8 W x 20-5/8 D PBL-1200-42: 40-3/8 W x 20-5/8 D PBL-1200-48: 46-3/8 W x 20-5/8 D PBL-1200-54: 52-3/8 W x 20-5/8 D PBL-1200-60: 58-3/8 W x 20-5/8 D	

30-42" liners have 2 LED bulbs
 48" liners have 3 LED bulbs
 54-60" liners have 4 LED bulbs.
 LED BULBS – 50W equivalent



Vent Width / Model

WOOD HOOD MODEL & SIZE	28-3/8"	34-3/8"	40-3/8"	46-3/8"	52-3/8"	58-3/8"
	PBL-30	PBL-36	PBL-42	PBL-48	PBL-54	PBL-60
C,CX, E200, E300, ER200, ER300, ER400, ER500, ER600, FX200, FX300, L2, SB100	30	36	42	48	54	60
B, D, E, G, GT	N/A	36	42	48	54	60
W	N/A	N/A	N/A	66	72	78, 84, 60
H, L, N	48	54	60	66	72	78
BX, BXV, M, Q, X	30	36	42	48	54	60
A, J, P, S, Z200	33 or 36	39 or 42	45 or 48	51 or 54	57 or 60	63
H2	42	48	54	60	66	72
AX	31	37	43	49	55	61



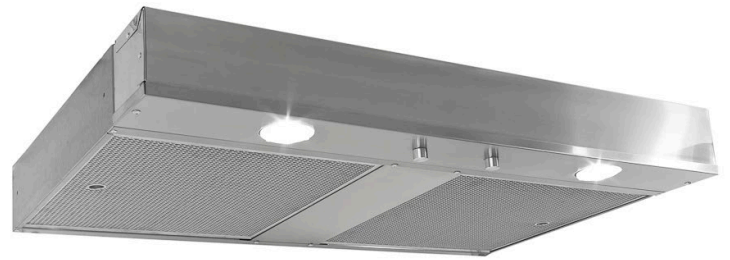
**Please note some cooktops require the range hood to be mounted higher than 30", see manufacturers specifications*



This page left intentionally blank

Imperial Premium Liners

- Dimmer controlled LED lighting
- Variable speed fan control
- Stainless Steel design w/ large, easy to clean aluminum mesh filters
- Large capture area
- 2 Internal motor combinations
- Sizes to fit 36" through 48" decorative range hoods
- Temperature-controlled auto-on feature



Stanisci Design ventilation has been engineered specifically for Stanisci Design Range Hoods, and are in-stock and ready to ship!

Features your customers want:

- Easy to clean filters
- Quiet, variable speed, single or dual blowers
- Dimmer controlled 5 Watt LED lighting, comparable to 50 Watt Halogen
- Temperature-controlled auto-on feature
- Three year in home warranty.

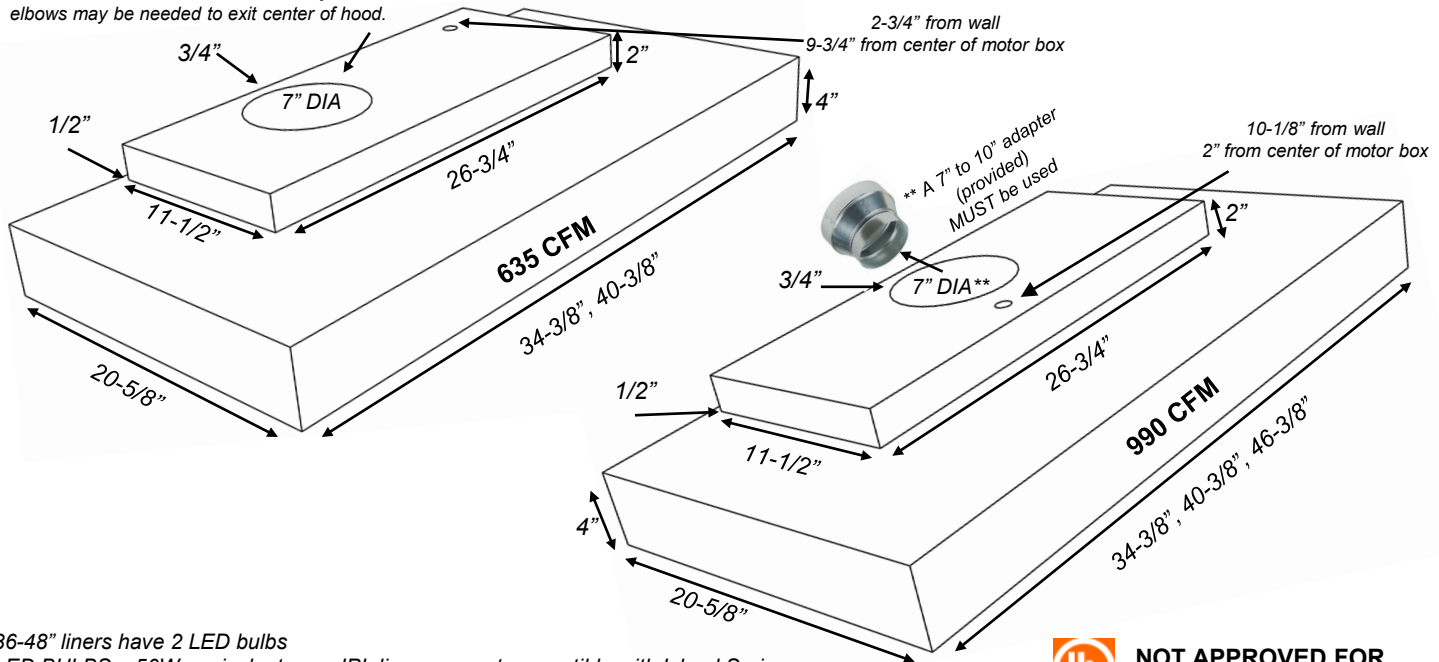


NOT APPROVED FOR
USE IN CANADA

635 IPL-635-XX	635 CFM motor
DUCTING	7" ROUND (4.25" off center)
AMPS	110V - 15 amp dedicated circuit
IPL-635-36:	34-3/8 W x 20-5/8 D
IPL-635-42:	40-3/8 W x 20-5/8 D

990 IPL-990-XX	990 CFM motor
DUCTING	10" ROUND
AMPS	110V - 15 amp dedicated circuit
IPL-990-36:	34-3/8 W x 20-5/8 D
IPL-990-42:	40-3/8 W x 20-5/8 D
IPL-990-48:	46-3/8 W x 20-5/8 D

Duct is offset 4-3/8" left. One or more adjustable 7" elbows may be needed to exit center of hood.



36-48" liners have 2 LED bulbs
LED BULBS – 50W equivalent

IPL liners are not compatible with Island Series.



**NOT APPROVED FOR
USE IN CANADA**

Wood Hood Model and Size	28-3/8"	34-3/8"	40-3/8"	46-3/8"
		IPL-36	IPL-42	IPL-48
C, CX, E200, E300, ER200, ER300, ER400, ER500, ER600, FX200, FX300, L2, SB100	N/A	36	42	48
B, D, E, G, GT	N/A	36	42	48
W	N/A	N/A	NA	66
H, L, N	48	54	60	66
BX, BXV, M, Q, X	N/A	36	42	48
A, J, P, S, Z200	N/A	39 or 42	45 or 48	51 or 54
H2	N/A	48	54	60
AX	N/A	37	43	49

700 South Gaspie Street • Oxford, MI 48371 • (248) 572-6880 • email: sales@wood-hood.com • www.wood-hood.com

Imperial Standard Liners

- LED lighting
- Two speed fan control
- Large capture area
- Single 360 CFM Air Ring Fan
- Liner sizes 30" and 36"
- Stainless Steel design w/ large, easy to clean aluminum mesh filters



Stanisci Design ventilation has been engineered specifically for Stanisci Design Range Hoods, and are in-stock and ready to ship!

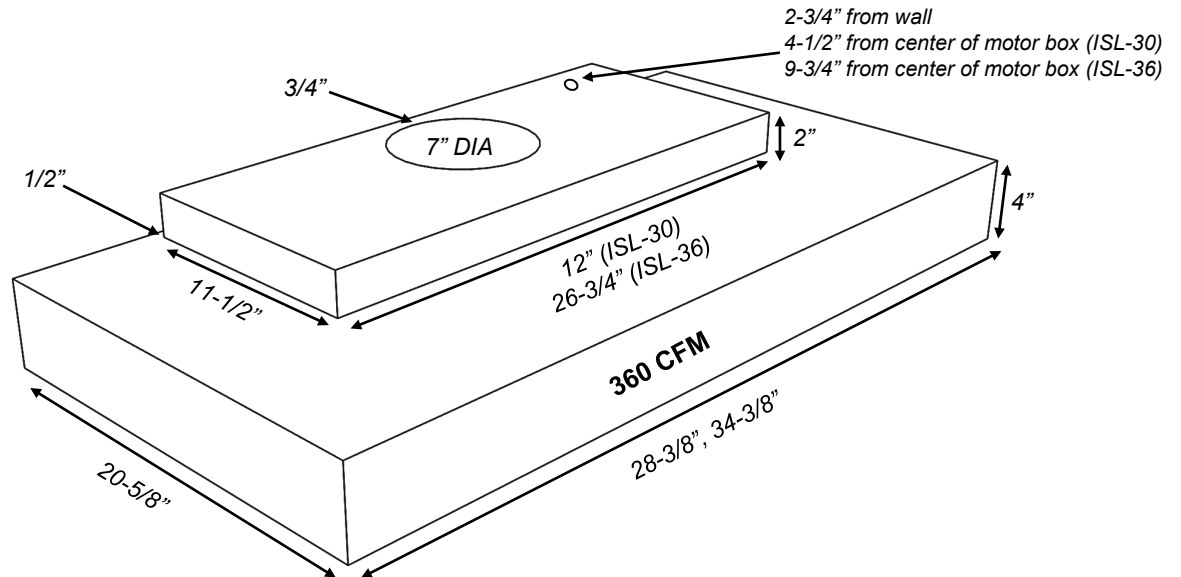
Features your customers want:

- Easy to clean filters
- Two speed fan control
- Single- 5 Watt LED, comparable to 50 Watt Halogen with Hi-Lo switch
- Three year in home warranty
- Axial Fan



NOT APPROVED FOR
USE IN CANADA

360 ISL-360-XX	360 CFM motor
DUCTING	7" ROUND
AMPS	110V - 15 amp dedicated circuit
ISL-360-30:	28-3/8 W x 20-5/8 D
ISL-360-36:	34-3/8 W x 20-5/8 D



30" and 36" liners have 1 LED bulb
LED BULBS – 50W equivalent

ISL liners are not compatible with Island Series.

Wood Hood Model and Size	28-3/8"	34-3/8"
	ISL-30	ISL-36
C, CX, E200, E300, ER200, ER300, ER400, ER500, ER600, FX200, FX300, L2, SB100	30	36
B, D, E, G, GT	N/A	36
W	N/A	N/A
H, L, N	48	54
BX, BXV, M, Q, X	30	36
A, J, P, S, Z200	33 or 36	39 or 42
H2	42	48
AX	31	37

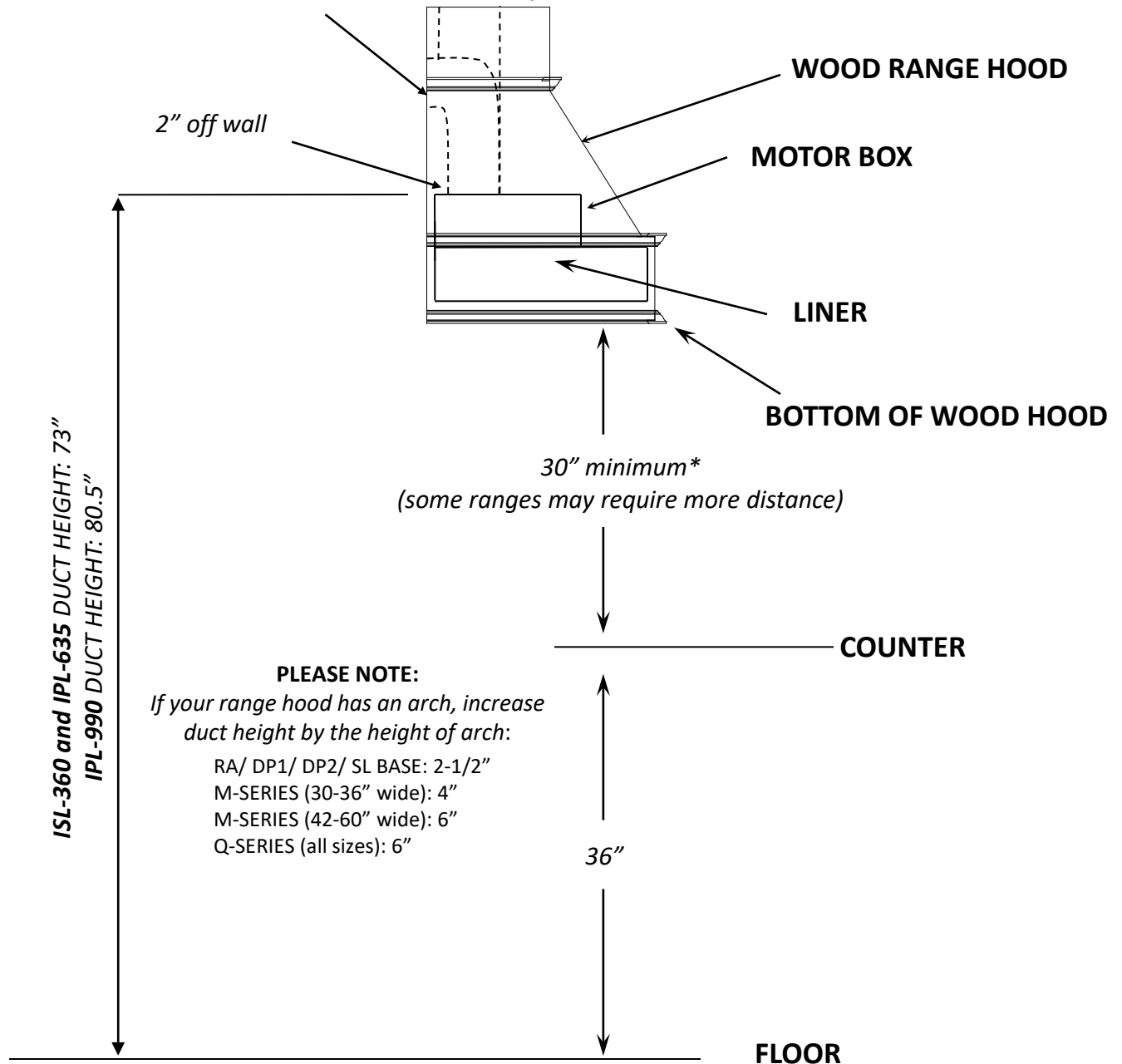
PLEASE NOTE: Cleaning filter in a dishwasher may cause discoloration. A degreaser (409, Simple Green...) in a sink is recommended.



**NOT APPROVED FOR
USE IN CANADA**

ISL-360 and IPL-635 DUCT: 7" round

IPL-990 DUCT: 10" round (must use 7" to 10" transition piece)



*Please note some cooktops require the range hood to be mounted higher than 30", see manufacturers specifications

Ventilation fundamentals:**Length and width**

No range hood on the market is completely effective unless it covers the heat source completely. Wall mounted hoods should extend at least to the front of the cooktop and on a standard cooktop, cover the entire cooktop from left to right. When using a residential commercial cooktop, the hood should overextend the cooktop a minimum of 3" on both the left and right side if possible.

Height

The bottom of the hood should be 30" from the cooking surface. It generally provides the most effective and attractive-looking installation. Some cooking appliance manufacturers require wood range hoods to be mounted higher. Please install according to the cooking appliance manufacturers recommendation.

In situations where ducting has several elbows or runs long distances, it is recommended to step up to the next larger blower size.

Internal Motors

Internal blowers are mounted inside the wood hood above the metal liner. They push the air through the duct.

Note: Externally mounted blowers are mounted outside the home typically on the roof or an exterior wall. We do not sell externally mounted blowers

System Noise

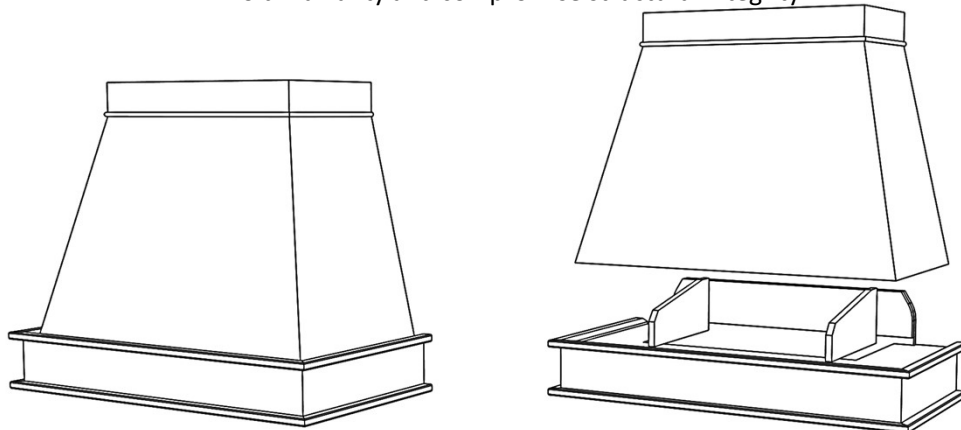
Noise is created in ventilation by air movement. Disrupting air flow with ducting turns increase noise. To minimize noise, run the ducting as straight as possible. The swirling of air within the blower unit also creates noise.

Back draft prevention:

Stanisci Design liners do not contain back draft dampers. If the cold or hot air has made its way to the range hood the kitchen will be affected. We recommend wall or roof caps with spring loaded dampers. We do not stock these, however they are readily available in the market.

REMOVABLE TOP (RT)

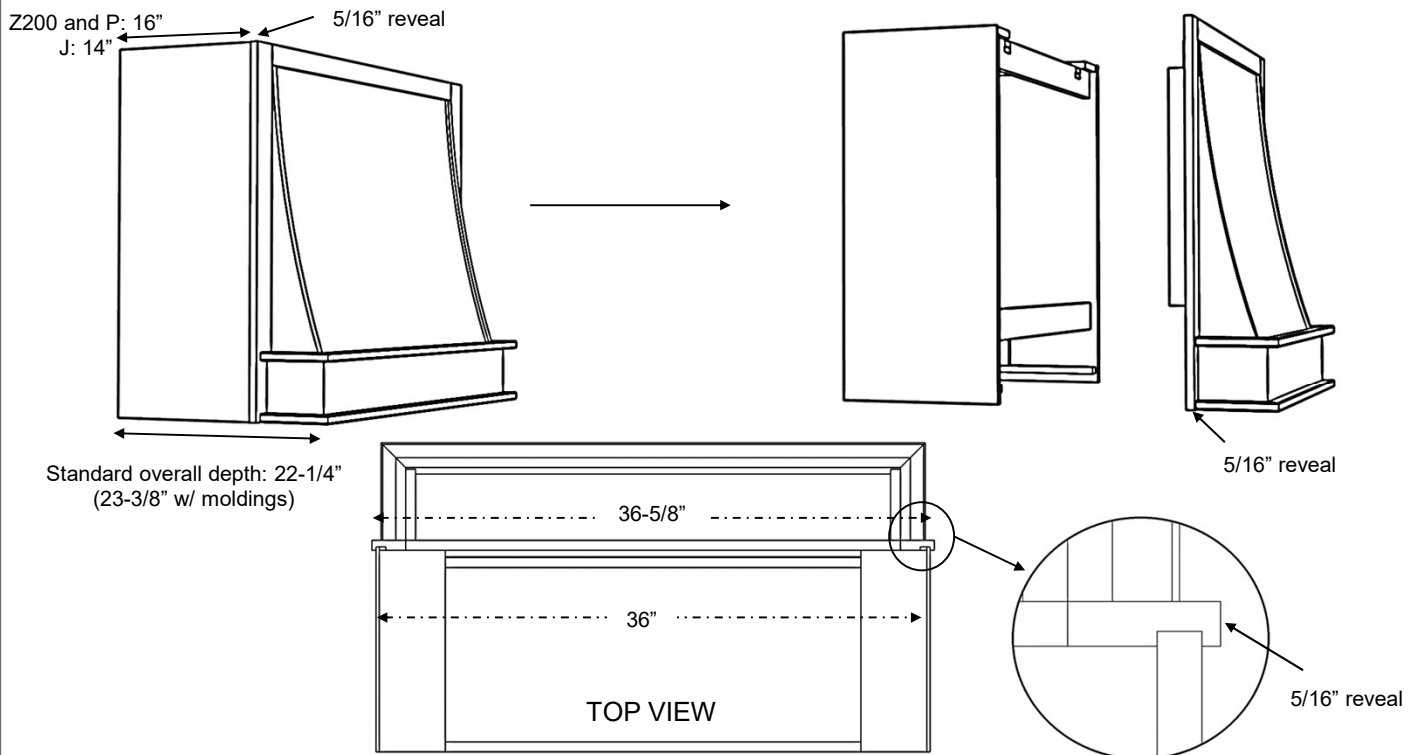
Base of the hood will be installed first with the ventilation. After all hook ups are complete – the chimney top will be attached. You will need a minimum of 3/4" clearance to lower chimney on guides. Cutting or trimming of parts in field will void warranty and compromise structural integrity.



AVAILABLE ON THESE MODELS: B, BXHW, BXVHW, C, CX, E, E200, FX200, G, GT

REMOVABLE FRONT (RF)

Entire front section lifts straight up 3/4" and removes. Vent is easily installed, then front section is reattached. The rear cabinet box will be 16" deep (14" for J- Series). There is a 5/16" reveal on the front frame to box (adds 5/8" to overall width of front section only). A minimum 3/4" vertical clearance is needed between hood top and ceiling so that you can slide onto guides. Cutting or trimming of parts in field will void warranty and compromise structural integrity.



AVAILABLE ON THESE MODELS: J, P, Z200

MODIFIED REMOVABLE PANEL (MRP)

Door panel is removable, and attaches with clips. Panel extends the full height of hood, and the lower seam is hidden behind a shelf. Crown can be laid on top of door once vent hook-ups are made.

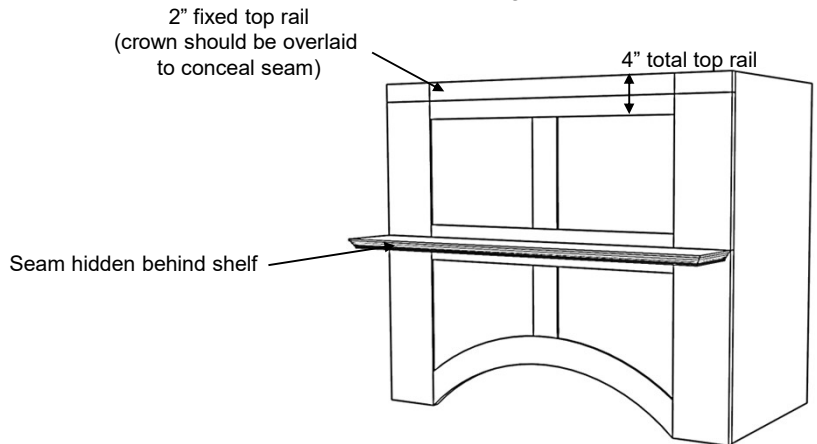
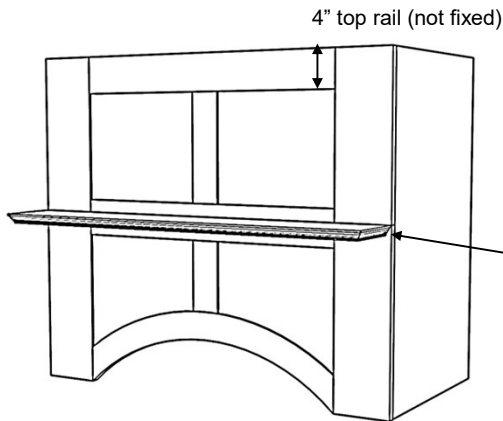
STANDARD MRP

no fixed top rail, panel extends full height of hood.

AVAILABLE BY CUSTOM REQUEST

2" fixed top, 4" total top rail.

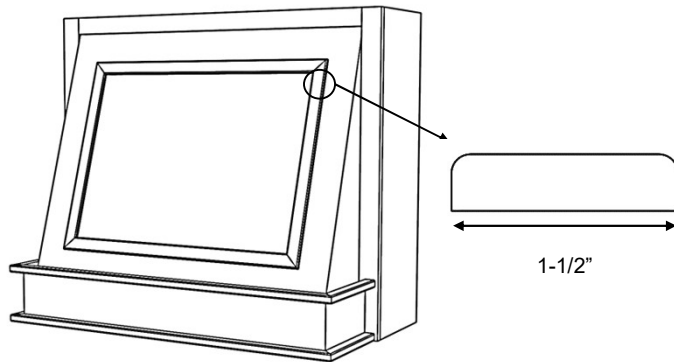
ORDER: MRP-2TR



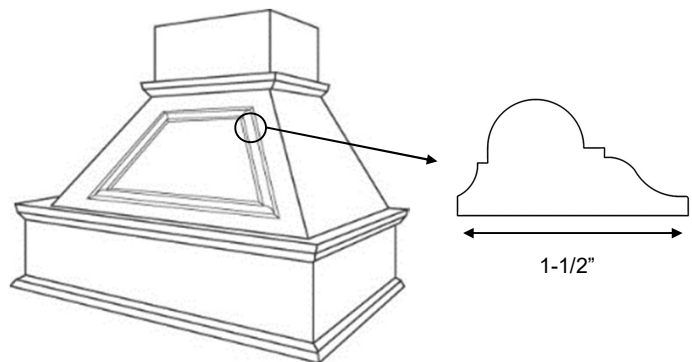
STANDARD ON THESE MODELS: H, H2, M, N, Q, SB100, W

APPLIED REMOVABLE PANEL (ARP)

An access panel is cut into the face of the hood, and decorative molding is applied to cover the seam.



Basic batten style molding is standard.
ARP

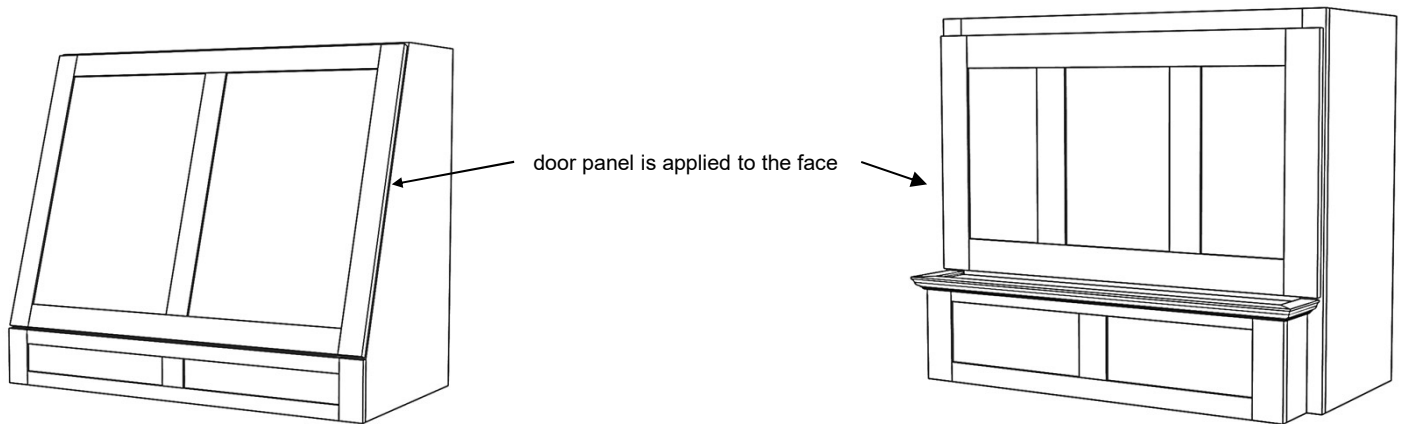


Decorative molding style available by request.
ARP-D

AVAILABLE ON THESE MODELS: C, CX, G, GT, I, J, P

STANDARD REMOVABLE DOOR PANEL

A door panel is applied onto the face of the hood, and is removable.

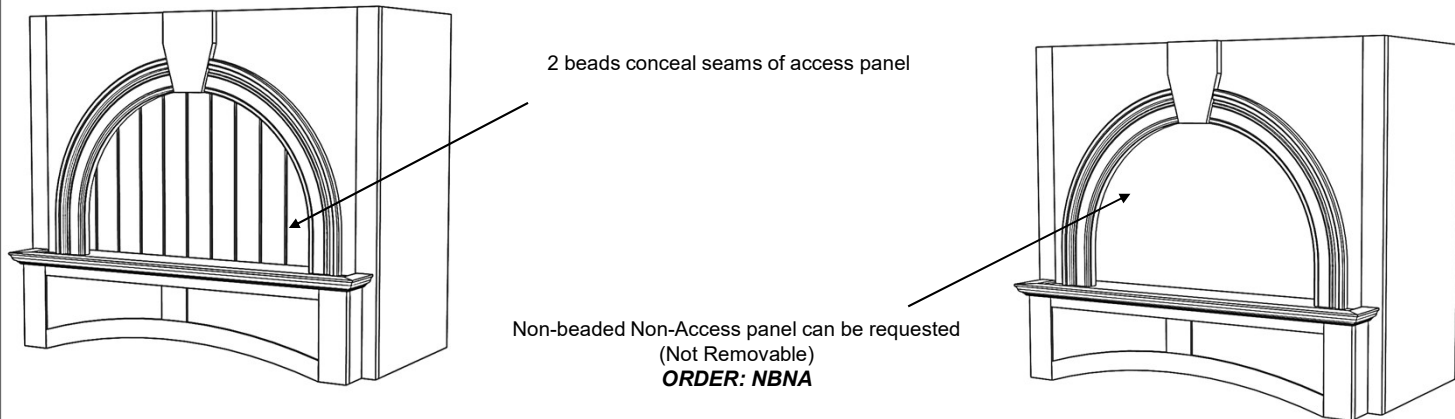


STANDARD ON THESE MODELS: FX300, L2, S*

On all S-Series models, door removes by pulling upwards. Minimum 1/2" clearance is needed above top of door.

BEADED ACCESS - CONCEALED

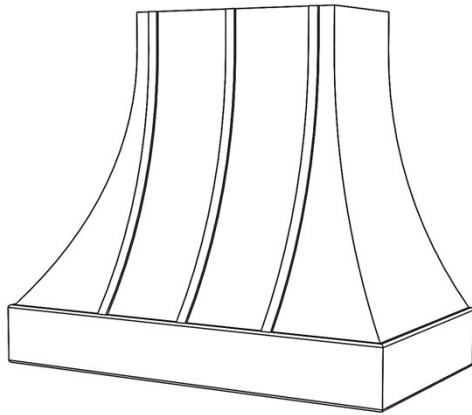
Decorative beading conceals 2 seams for the removable panel, secured by clips.



STANDARD ON THESE MODELS: A, L

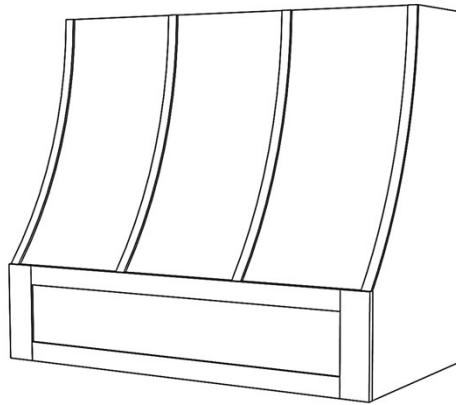
CURVED BATTENS

Curved Hardwood Battens are available in all of our standard species.



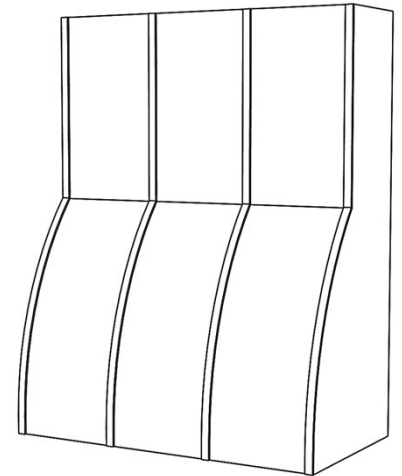
AVAILABLE ON E-SERIES

36" wide: 2 on face
42" and 48" wide: 3 on face
54" and 60" wide: 4 on face
* side battens available by request



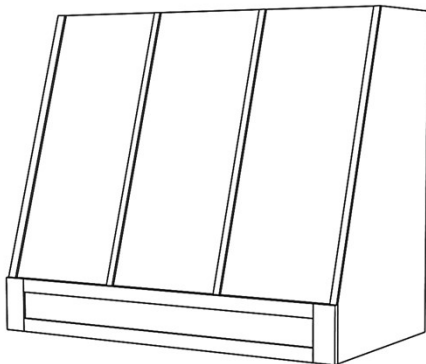
AVAILABLE ON E200, E300, ER200, ER300, ER400, ER500, ER600

30" – 48" wide: 4 battens on face
54" and 60" wide: 5 battens on face

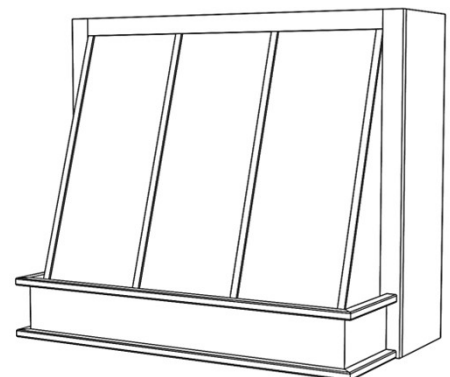


Straight Battens

Vertical Hardwood Battens are available in all of our standard species.



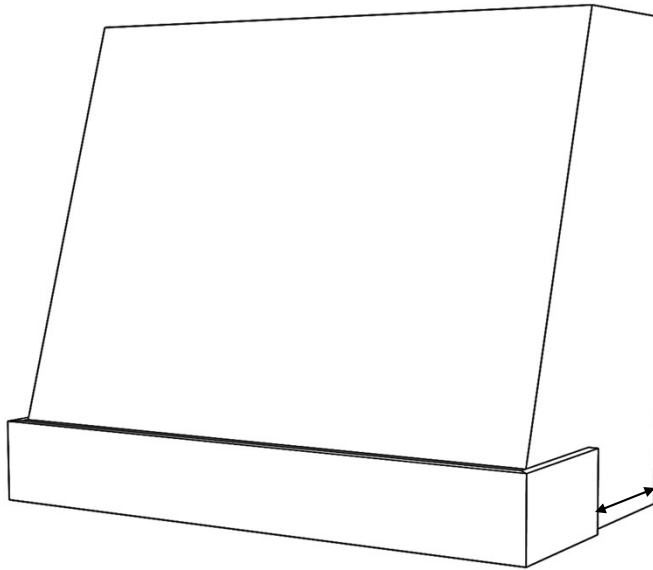
30" – 48" wide: 4 battens on face
Over 48" wide: 5 battens on face



AVAILABLE ON THESE MODELS: FX200, FX300, P

Applied Hardwood Wrap

A 6" high hardwood wrap can be applied along the bottom of an In-Series hood to create the visual appearance of a separate base section. The wrap is shipped loose, and can be trimmed in-field to desired depth so sides remain flush for cabinet installation. This wrap can be applied in a different species than the hood to create a two-tone design.



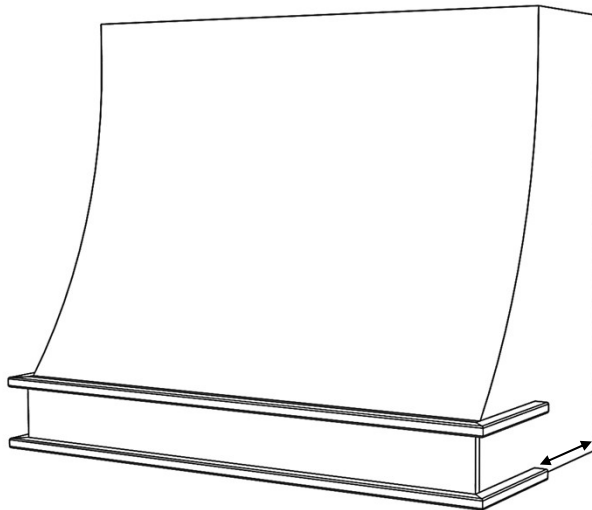
****Please consider door swings and clearances. Your cabinet design may require fillers or extended stiles****

Hardwood wrap will ship loose, and cut to full depth of hood. Can be trimmed in field to your desired depth.

AVAILABLE ON THESE MODELS: BX, BXV, E300, FX300, L2

Applied Molding Wrap

Basic style moldings can be applied along the top and bottom trim of the base panel and sides of In-Series hoods to create the visual appearance of a separate base section. Moldings are shipped loose, and can be trimmed in-field to desired depth so sides remain flush for cabinet installation.



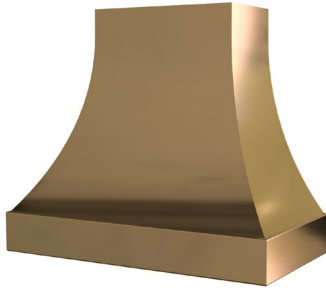
****Please consider door swings and clearances. Your cabinet design may require fillers or extended stiles****

Molding wrap will ship loose, and cut to full depth of hood. Can be trimmed in field to your desired depth.

AVAILABLE ON THESE MODELS: BX, BXV, E300, FX300, L2

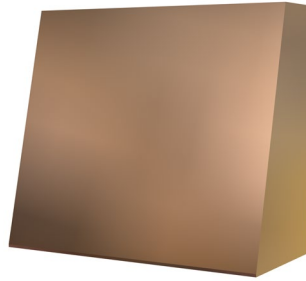


This page left intentionally blank



EHW

*Representation shown of hood with Anvil Metal finish (Axel)



K300

*Representation shown of hood with Anvil Metal finish (Exodus)



BXHW

*Representation shown of grey painted hood with Hardwood Base Section in Anvil Metal finish (Ferrum)

Grothouse Lumber – Anvil Finish Program

Stanisci Design is partnering with Grothouse Lumber to bring their exclusive Anvil Finish Program to Stanisci Range Hoods and Accent Pieces.

STANISCI
DESIGN

GROTHOUSE

The Anvil Metal coatings are exclusively available at Grothouse. They use a proprietary finish using real metals in copper, brass, steel, and more that are liquified and sprayed onto our wood hood, moldings, and decorative accent pieces. All finishing takes place at their headquarters in Germansville, PA.

The Anvil Finish program allows for elevated metallic design features that previously were unable to be crafted with solid metal. This will provide expansive design options and aggressive cost savings to comparable full metal hoods available in the marketplace. We also provide wood moldings that can be finished and applied as metal accent pieces including battens, applied hardwood and molding wraps. The wood moldings and accent pieces can be cut and installed like any traditional wood molding. These pieces are shipped from the factory, backed with an aggressive 3M backer tape to ensure trouble free adhesion to your wood hood once finished.

ANVIL FINISHING FOR YOUR STANISCI RANGE HOOD (8-10 WEEK LEAD TIME)

AVAILABLE ON THESE MODELS

AX, B, BX, BXV, C, CX, D, E, E200, E300, ER200, ER300, ER400, ER500, ER600, FX200, FX300, G, GT, J, K200, K300, P, Z200,
OR HARDWOOD BASE ONLY ON ANY HW-SERIES

HOW DOES IT WORK?

*YOUR RANGE HOOD AND ANVIL FINISH ORDER WILL BE DONE DIRECTLY WITH STANISCI DESIGN. ONCE YOUR HOOD HAS FINISHED PRODUCTION, STANISCI WILL HAVE IT SENT TO GROTHOUSE FOR FINISHING, AND THEN TO YOU ONCE COMPLETE.
ALL ADDITIONAL SHIPPING COSTS FROM GROTHOUSE TO YOU ARE ALREADY INCLUDED IN THE COST OF FINISHING.

ANVIL FINISHING FOR DECORATIVE ACCENT PIECES (3-4 WEEK LEAD TIME)

AVAILABLE ON THESE DECORATIVE PIECES

CURVED BATTENS, STRAIGHT BATTENS, APPLIED HARDWOOD WRAPS, AND APPLIED MOLDING WRAPS

HOW DOES IT WORK?

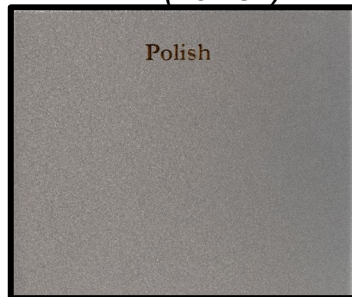
YOUR ORDER AND FINISH REQUEST WILL BE DONE DIRECTLY WITH STANISCI DESIGN. THE RANGE HOOD WILL SHIP TO YOU IN THE STANDARD LEAD TIME, AND THE DECORATIVE ACCENTS W/ ANVIL METAL FINISH WILL SHIP TO YOU SEPARATELY IN APPROX 3-4 WEEKS AND HAVE AN AGGRESSIVE 3M BACKING TO ALLOW EASY AND SECURE FIELD INSTALLATION & ADHESION.

700 South Glaspie Street • Oxford, MI 48371 • (248) 572-6880 • email: sales@wood-hood.com • www.wood-hood.com

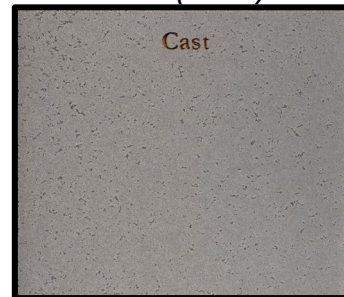
Anvil metal coatings are available in 4 smooth metallic color choices, and those same 4 finishes in a Cast version of the color. The Cast version of the color will provide a textured, vintage and antique look on the finish. All Anvil metal finishes will receive an overcoat of Grothouse Durata clear finish to maintain the original metal finish.

AVAILABLE ANVIL METAL FINISHES

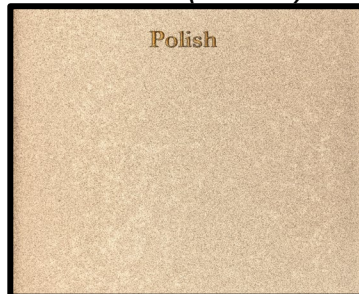
AXEL (POLISH)



AXEL (CAST)



EXODUS (POLISH)



EXODUS (CAST)



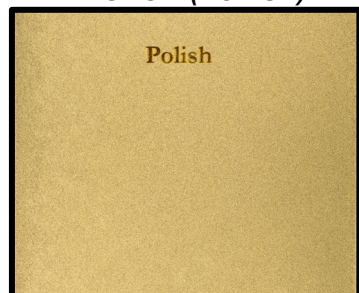
FERRUM (POLISH)



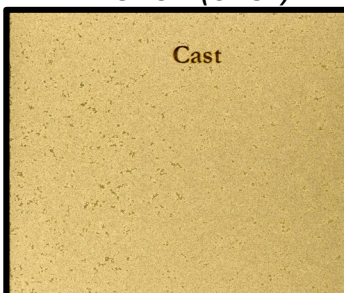
FERRUM (CAST)



MAGNUM (POLISH)

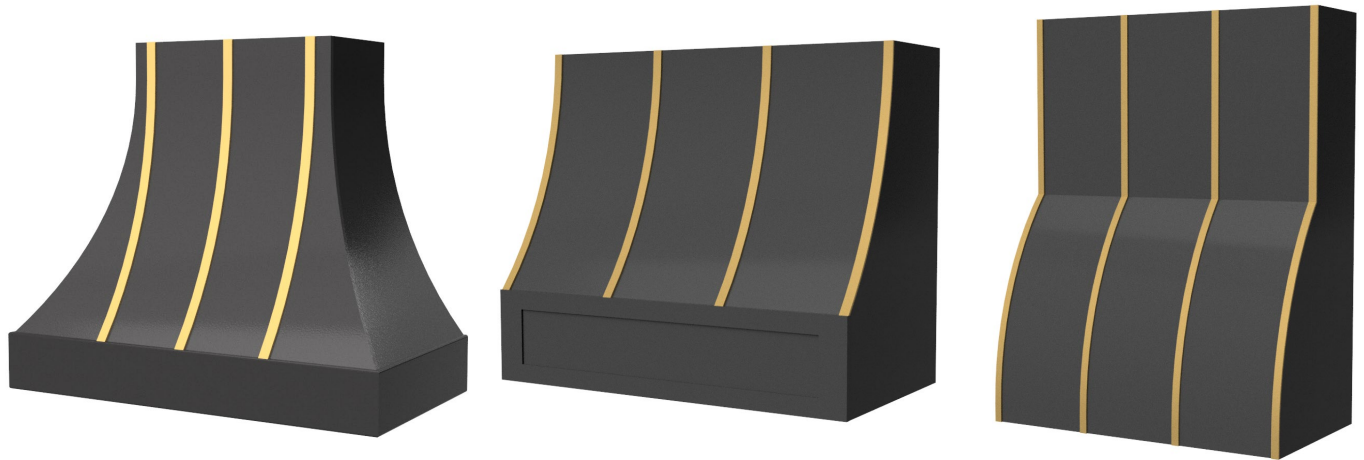


MAGNUM (CAST)



CURVED BATTENS WITH ANVIL METAL FINISH

*Representation shown of grey painted hood with Curved Hardwood Battens in Anvil Metal finish.



AVAILABLE ON E-SERIES

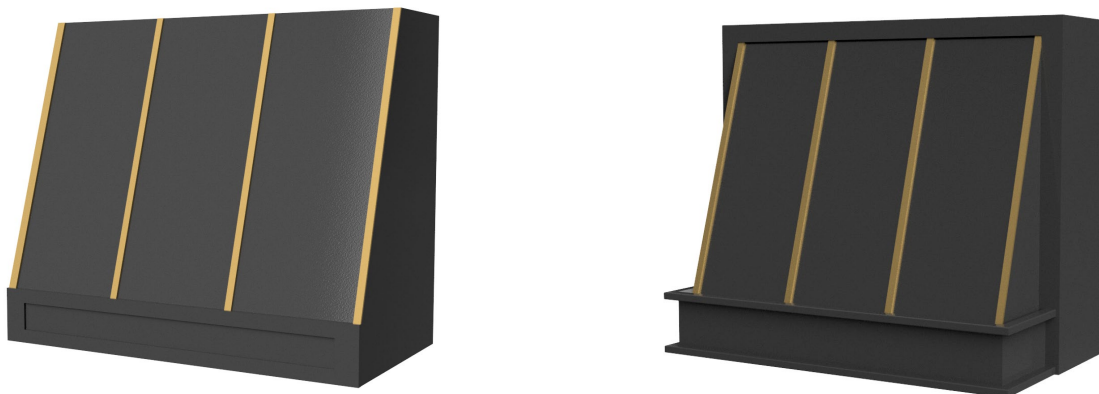
36" wide: 2 on face
42" and 48" wide: 3 on face
54" and 60" wide: 4 on face
* side battens available by request

AVAILABLE ON E200, E300, ER200, ER300, ER400, ER500, ER600

30" – 48" wide: 4 battens on face
54" and 60" wide: 5 battens on face

STRAIGHT BATTENS WITH ANVIL METAL FINISH

*Representation shown of grey painted hood with Straight Hardwood Battens in Anvil Metal finish.



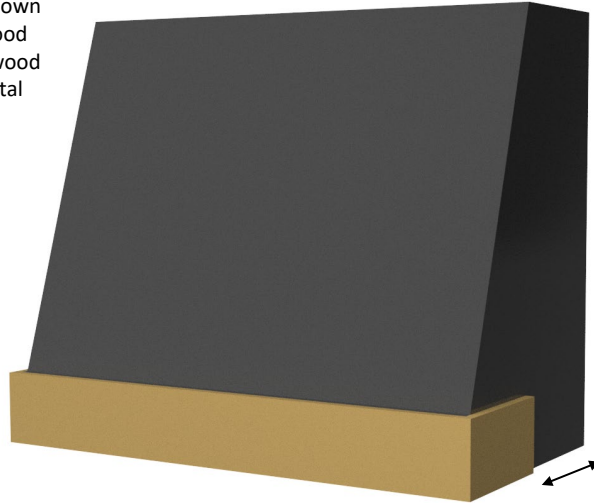
30" – 48" wide: 4 battens on face
Over 48" wide: 5 battens on face

AVAILABLE ON THESE MODELS: FX200, FX300, P

Applied Hardwood Wrap with Anvil Metal Finish

A 6" high hardwood wrap with Anvil Metal Finish can be applied along the bottom of an In-Series hood to create the visual appearance of a separate metal base section. The wrap is shipped loose, and can be trimmed in-field to desired depth so sides remain flush for cabinet installation. This wrap will be finished and shipped directly from Grothouse Lumber.

*Representation shown of grey painted hood with Applied Hardwood Wrap in Anvil Metal finish



****Please consider door swings and clearances. Your cabinet design may require fillers or extended stiles****

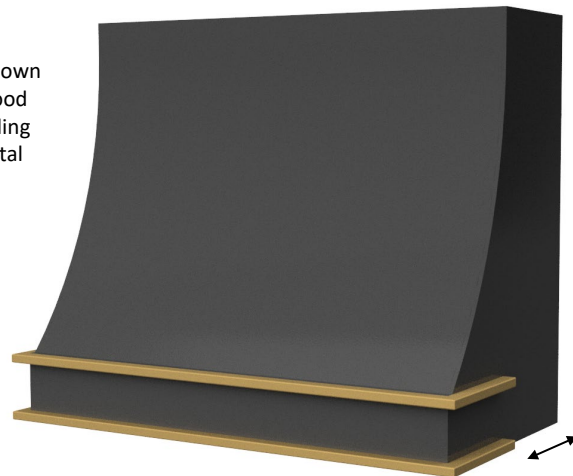
Hardwood wrap will ship loose, and cut to full depth of hood. Can be trimmed in field to your desired depth.

AVAILABLE ON THESE MODELS: BX, BXV, E300, FX300, L2

Applied Molding Wrap with Anvil Metal Finish

Basic style moldings with Anvil Metal Finish can be applied along the top and bottom trim of the base panel and sides of In-Series hoods to create the visual appearance of a separate metal base section. Moldings are shipped loose, and can be trimmed in-field to desired depth so sides remain flush for cabinet installation. These moldings will be finished and shipped directly from Grothouse Lumber.

*Representation shown of grey painted hood with Applied Molding Wrap in Anvil Metal finish



****Please consider door swings and clearances. Your cabinet design may require fillers or extended stiles****

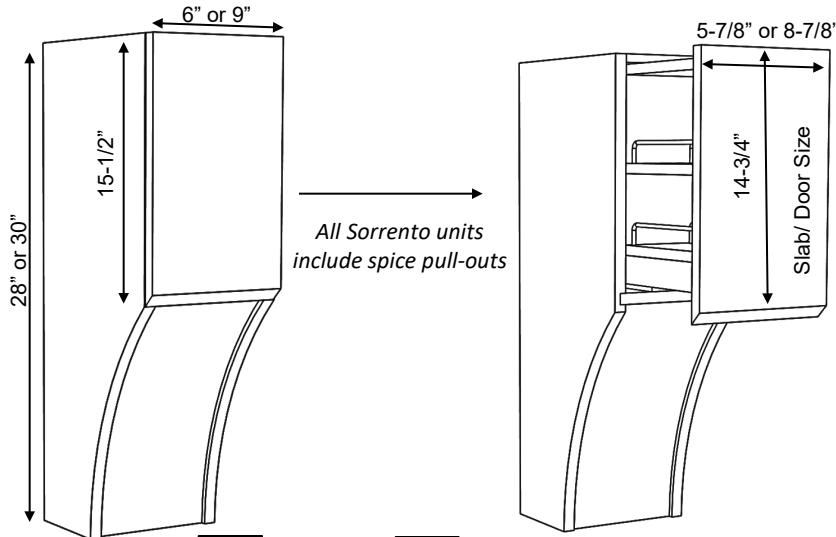
Molding wrap will ship loose, and cut to full depth of hood. Can be trimmed in field to your desired depth.

AVAILABLE ON THESE MODELS: BX, BXV, E300, FX300, L2

Sorrento Spice Rack Supports

DESIGNED FOR THESE MODELS: H2, N, (AVAILABLE BY REQUEST ON ALL OTHER MODELS)

SECTION A – SIZE

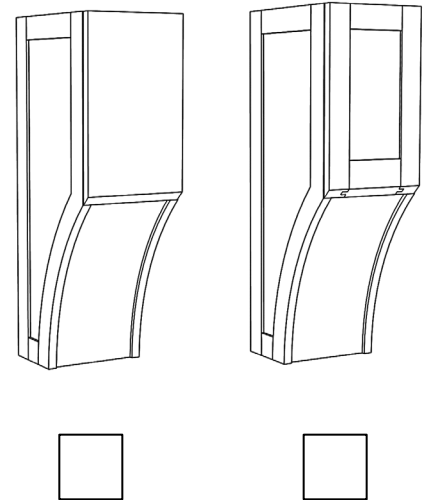


WIDTH 6" 9"
*must select one

HEIGHT 28" 30"
*must select one

SECTION B – FRONT PANEL

FRONT – SLAB PANEL FRONT – DOOR PANEL



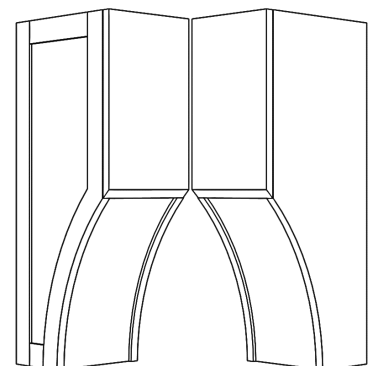
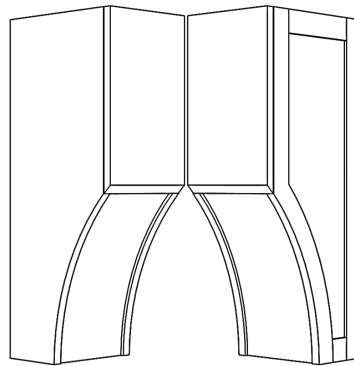
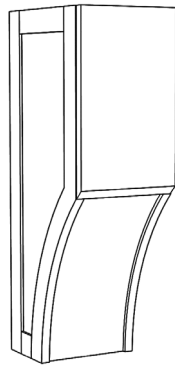
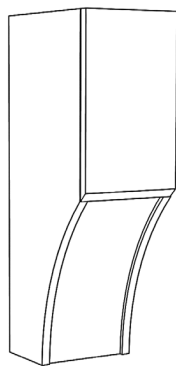
SECTION C – SIDE CHOICES

BOTH SIDES SLAB

BOTH SIDES DOOR PANEL

LEFT SIDE OF LEG – SLAB
RIGHT SIDE OF LEG – DOOR PANEL
*image shows both sides of 1 leg

LEFT SIDE OF LEG – DOOR PANEL
RIGHT SIDE OF LEG – SLAB
*image shows both sides of 1 leg



LEFT SORRENTO LEG
*must select one

RIGHT SORRENTO LEG
*must select one

Providence Shallow

CBL-PRS3



3" x 4-3/4" x 10-1/2"

Princeton Wide

CBL-PRW3



4-1/2" x 4-3/4" x 10-1/2"

Provincial

CBL-PPC3



5" x 5" x 10"

Arts & Crafts

CBL-ART3



5" x 5" x 10"

*Paint Grade, Maple, Red Oak, Cherry and Alder are in stock.
All other species are special-ordered, and increases lead time approx. 1-2 weeks.
(Please note drawings are not to scale, they have been adjusted to fit the page)*

DIMENSIONS ARE: Width x Depth x Height

Transitional

CBL-TR3



4-3/4" x 5-1/2" x 9-1/2"

Traditional

COR-TT2



4-1/4" x 4-5/8" x 10"

Acanthus

COR-AC2



5" x 5" x 10-1/2"

Acanthus Onlay

ONL-AC24



24" x 3/4" x 5-1/4"

Acanthus Corner Onlays

ONL-ACC3 (sold in pairs)



7-5/8" x 3/4" x 7-5/8"

Paint Grade, Maple, Red Oak, Cherry and Alder are in stock.

All other species are special-ordered, and increases lead time approx. 1-2 weeks.

(Please note drawings are not to scale, they have been adjusted to fit the page)

DIMENSIONS ARE: Width x Depth x Height



This page left intentionally blank