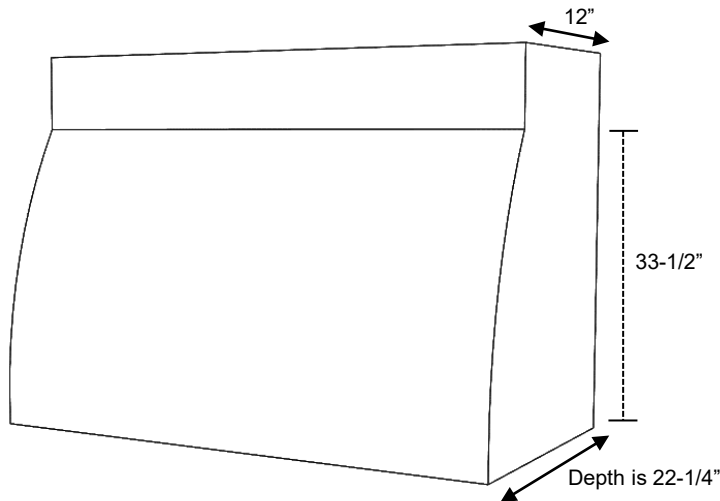
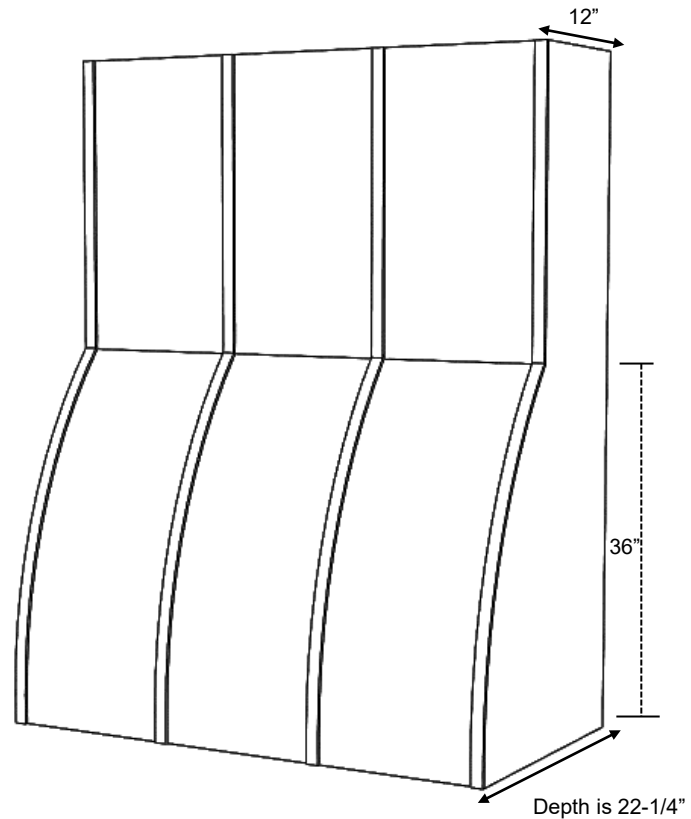


FOR OVERALL HEIGHTS: 42" – 60"

FOR OVERALL HEIGHT: 36"



ER500 Series 42 x 36 (ER500)



ER500 Series 42 x 54 (ER500)
Shown with optional Hardwood Battens

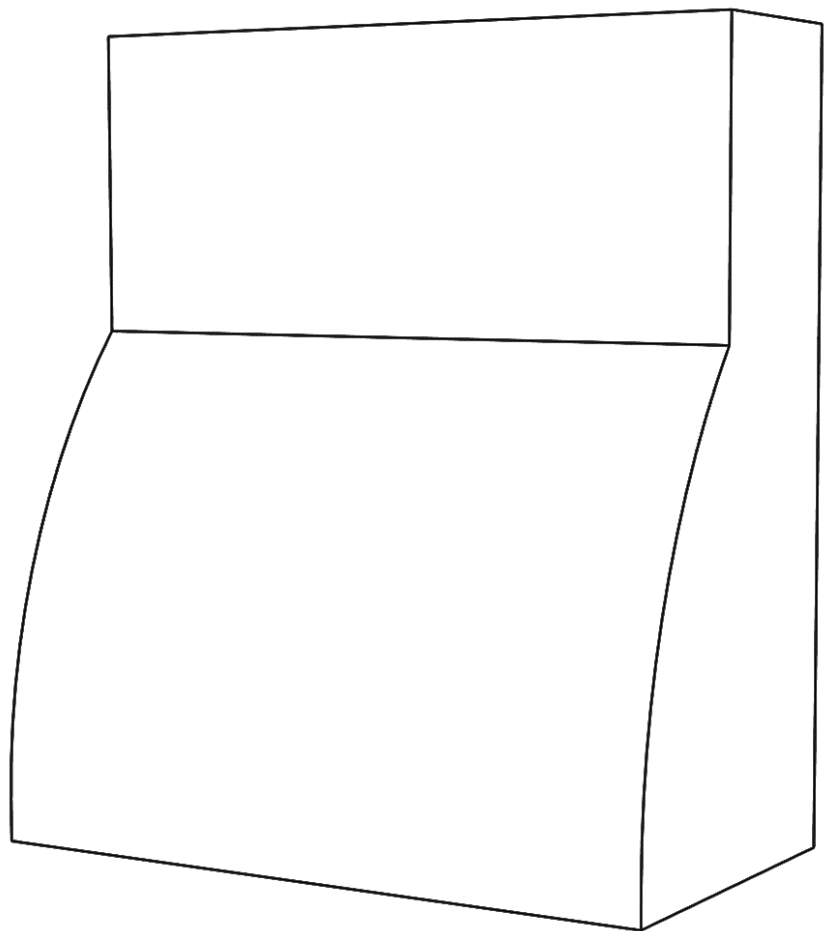
ER500 Series

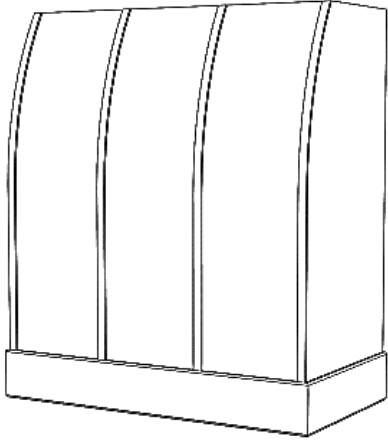
| | |
|-------------------|---|
| Standard Widths | 30, 36, 42, 48, 54, 60 (Reduced widths available) |
| Standard Heights | 36, 42, 48, 54, 60 (Reduced heights available) |
| Removable Options | Not available |
| Available Options | Hardwood Battens (See batten options page) |
| Ventilation | Hood will be same width as available vent width. Example: To use a 36" vent model, the hood should be a minimum of 36" wide. |
| Grain Direction | Vertical |

Standard Heights: 36, 42, 48, 54, 60

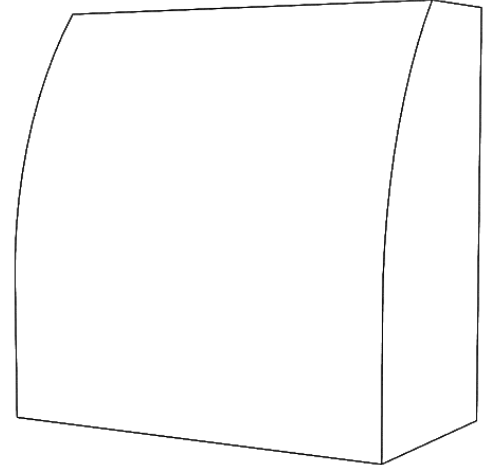
ER500

- ER500 30
- ER500 36
- ER500 42
- ER500 48
- ER500 54
- ER500 60

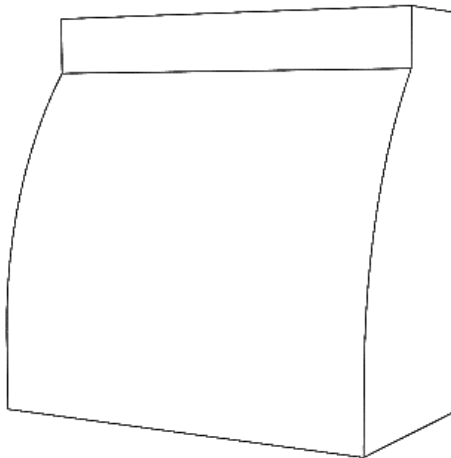




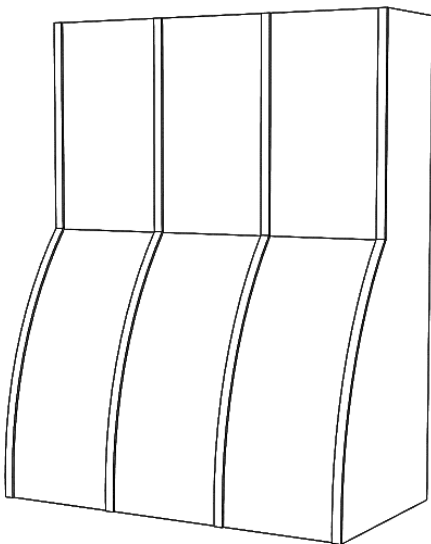
*ER200 Series shown with Hardwood Base (ER200HW)
and optional battens*



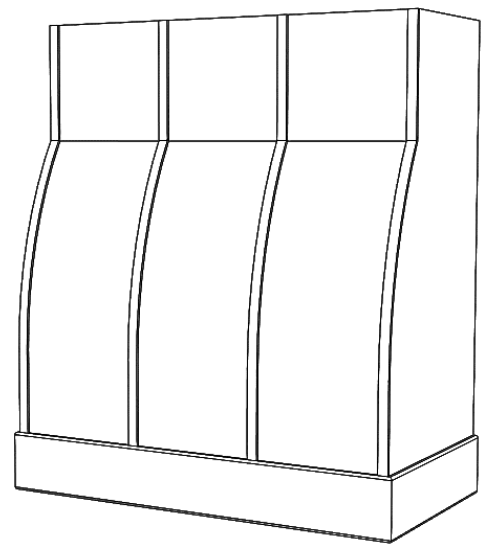
ER300 Series hood (ER300)



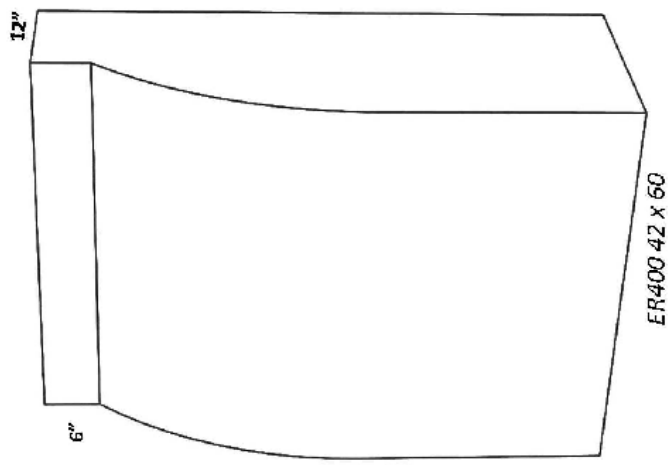
ER400 Series hood (ER400)



*ER500 Series hood (ER500)
shown with optional battens*



*ER600 Series hood shown with hardwood base (ER600HW)
and optional battens on curved face*

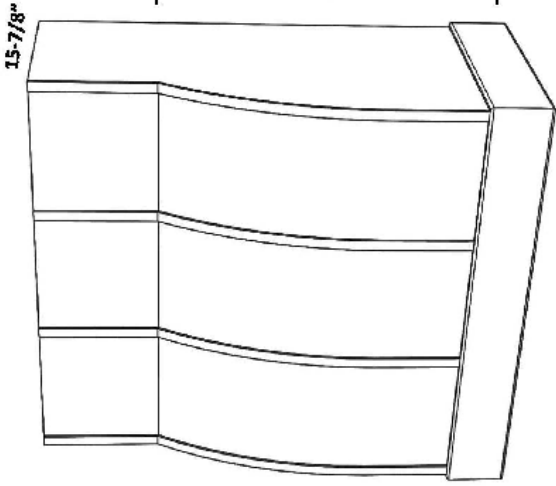


ER400 42 x 60

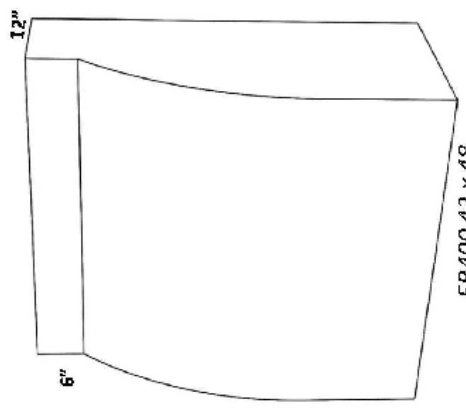
ER400
In-Series

ER600
Free-Standing

FOR OVERALL HEIGHT: 42 - 60"

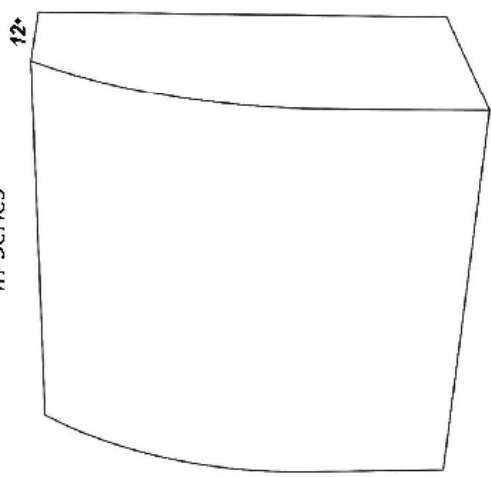


ER600 shown with hardwood base (ER600HW) and optional battens



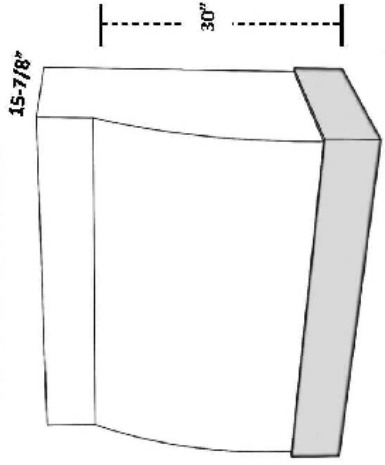
ER400 42 x 48

ER300
In-Series

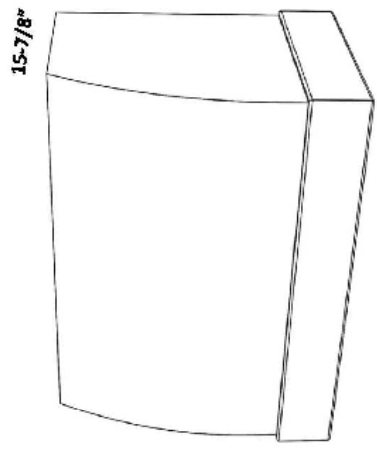


ER300 Series hood (ER300)

FOR OVERALL HEIGHT: 36"



ER600 shown with SS Base (ER600SS)

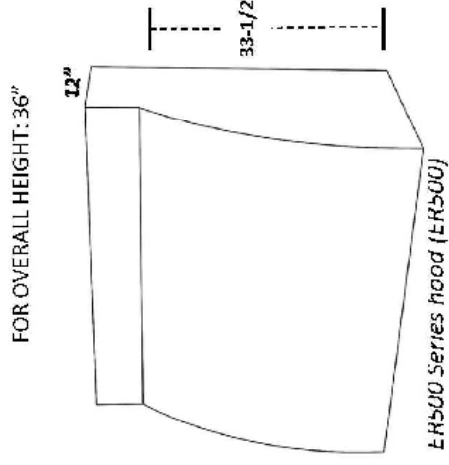


ER200 shown with hardwood base (ER200HW)

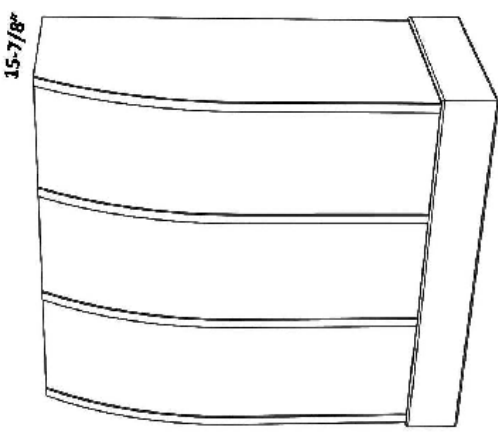
ER200
Free-Standing

ER500
In-Series

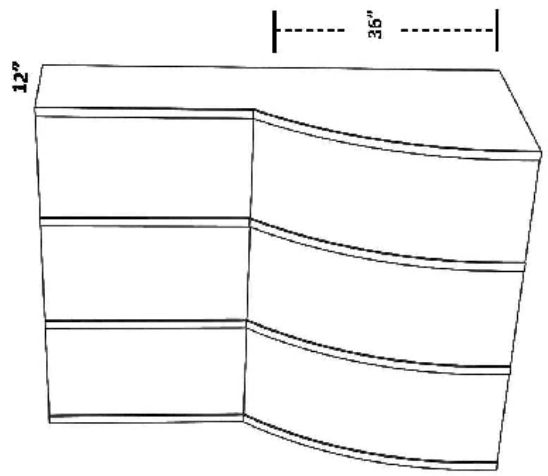
FOR OVERALL HEIGHT: 42 - 60"



ER500 Series hood (ER500)



ER200 shown with hardwood base (ER200HW) and optional battens



ER500 Series hood (ER500) Shown with optional battens