

ER600 Series 42 x 36 shown with Hardwood Base (ER600HW)

ER600 Series 42 x 48 shown with Hardwood Base (ER600HW) and optional Hardwood Battens

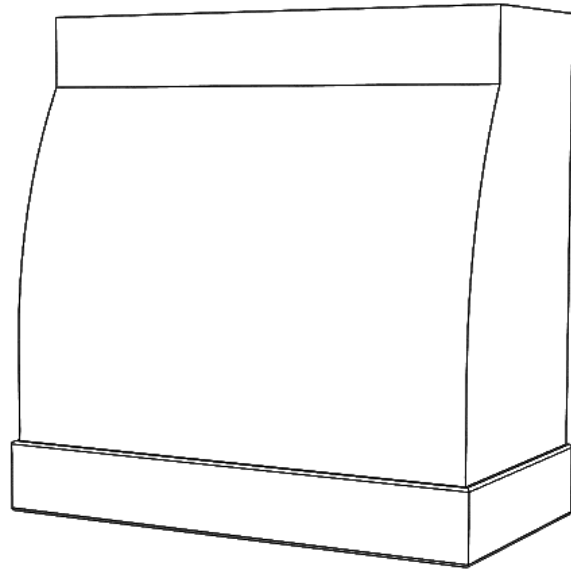
ER600 Series

Standard Widths	30, 36, 42, 48, 54, 60 (Reduced widths available)
Standard Heights	36, 42, 48, 54, 60 (Reduced heights available)
Removable Options	Not available
Available Options	Hardwood Battens (See batten options page)
Ventilation	Hood will be same width as available vent width. Example: To use a 36" vent model, the hood should be a minimum of 36" wide.
Grain Direction	Vertical (base is horizontal)

Standard Heights: 36, 42, 48, 54, 60

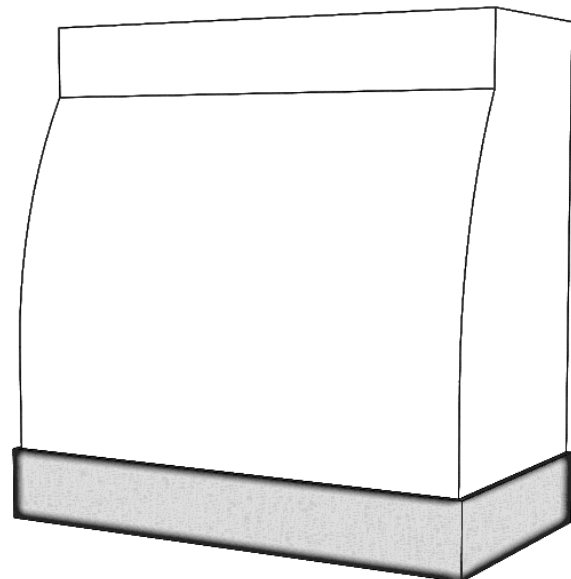
ER600- Hardwood Base

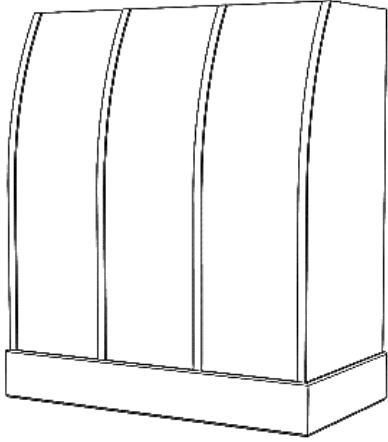
ER600HW 30
ER600HW 36
ER600HW 42
ER600HW 48
ER600HW 54
ER600HW 60



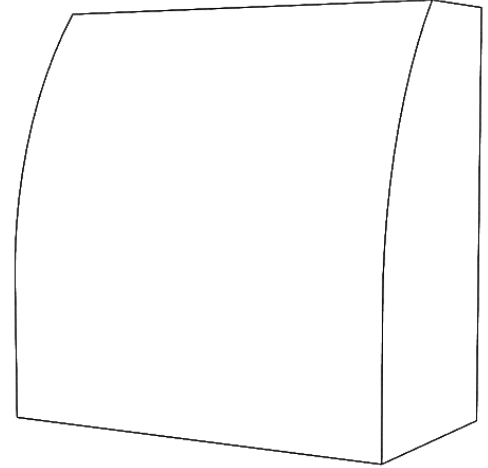
ER600- SS Base

ER600SS 30
ER600SS 36
ER600SS 42
ER600SS 48
ER600SS 54
ER600SS 60

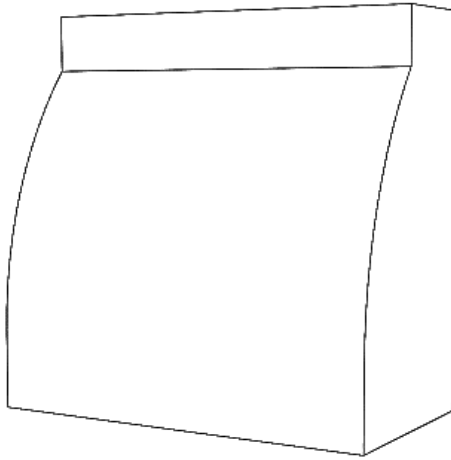




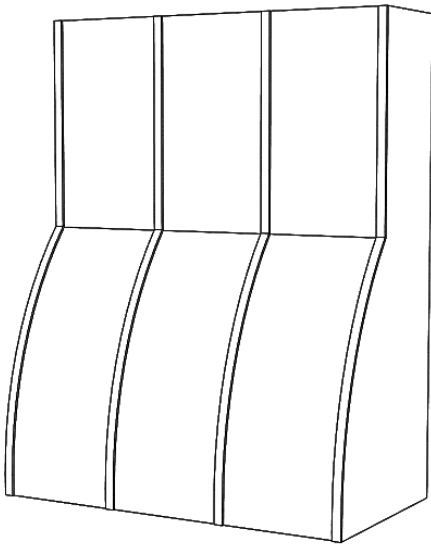
*ER200 Series shown with Hardwood Base (ER200HW)
and optional battens*



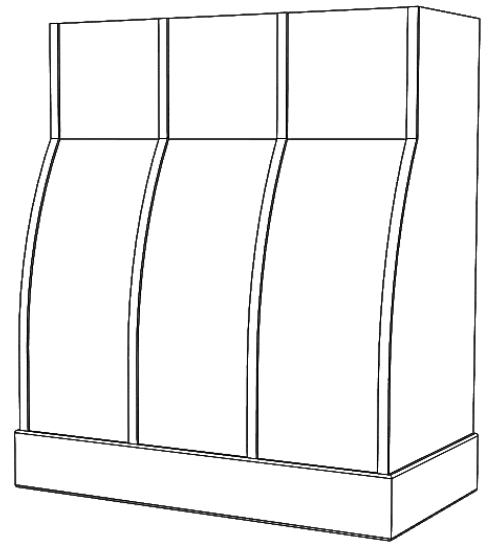
ER300 Series hood (ER300)



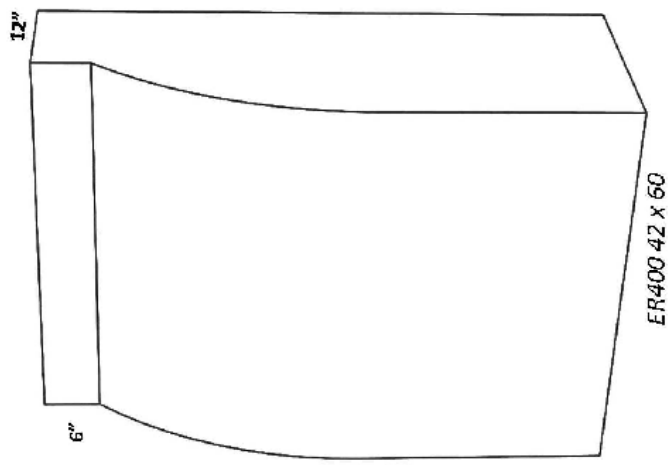
ER400 Series hood (ER400)



*ER500 Series hood (ER500)
shown with optional battens*



*ER600 Series hood shown with hardwood base (ER600HW)
and optional battens on curved face*

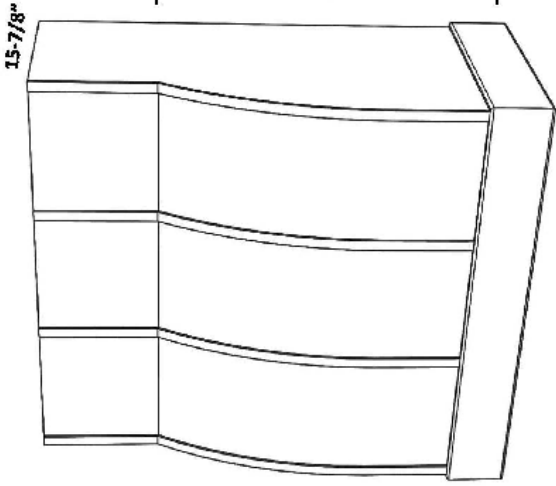


ER400 42 x 60

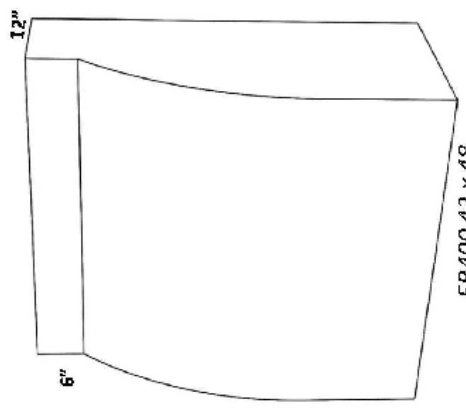
ER400
In-Series

ER600
Free-Standing

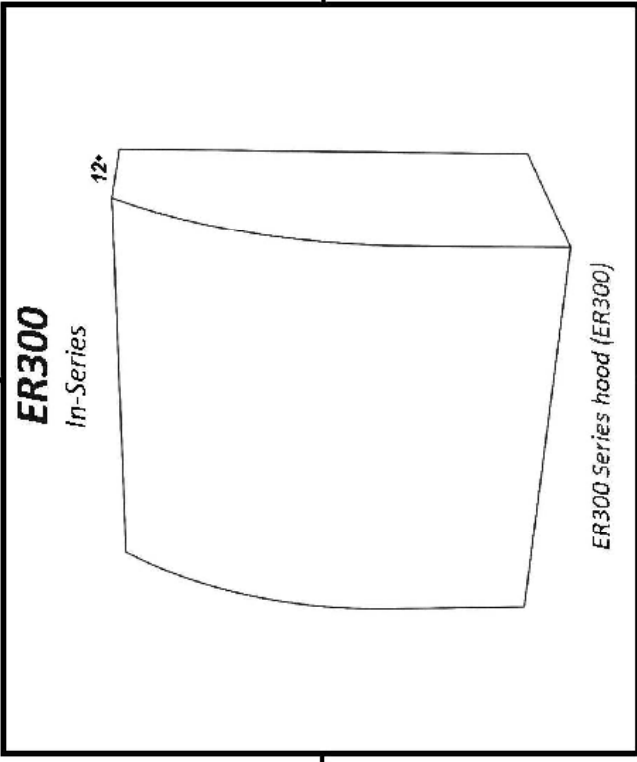
FOR OVERALL HEIGHT: 42 - 60"



ER600 shown with hardwood base (ER600HW) and optional battens



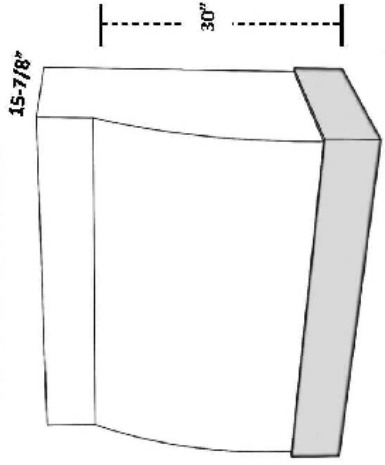
ER400 42 x 48



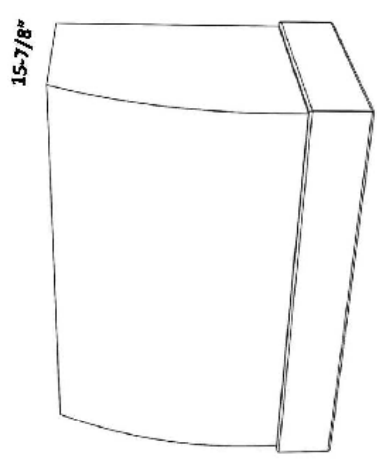
ER300
In-Series

ER300 Series hood (ER300)

FOR OVERALL HEIGHT: 36"



ER600 shown with SS Base (ER600SS)

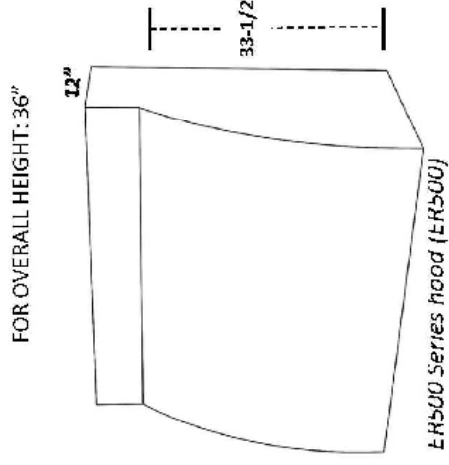


ER200 shown with hardwood base (ER200HW)

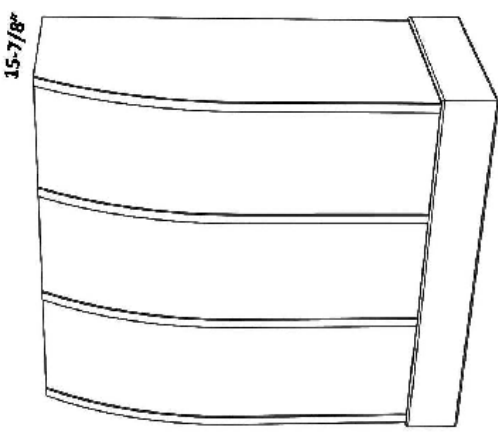
ER200
Free-Standing

ER500
In-Series

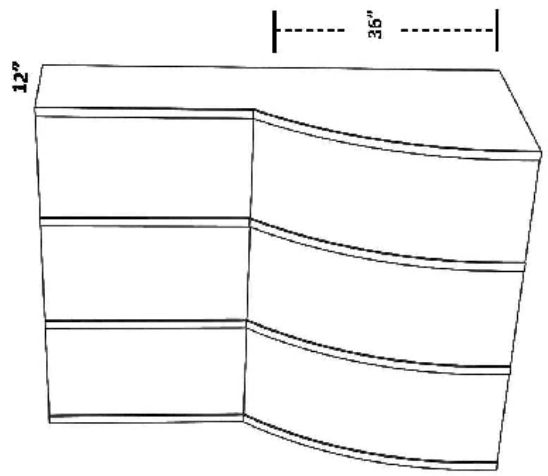
FOR OVERALL HEIGHT: 42 - 60"



ER500 Series hood (ER500)



ER200 shown with hardwood base (ER200HW) and optional battens



ER500 Series hood (ER500) Shown with optional battens